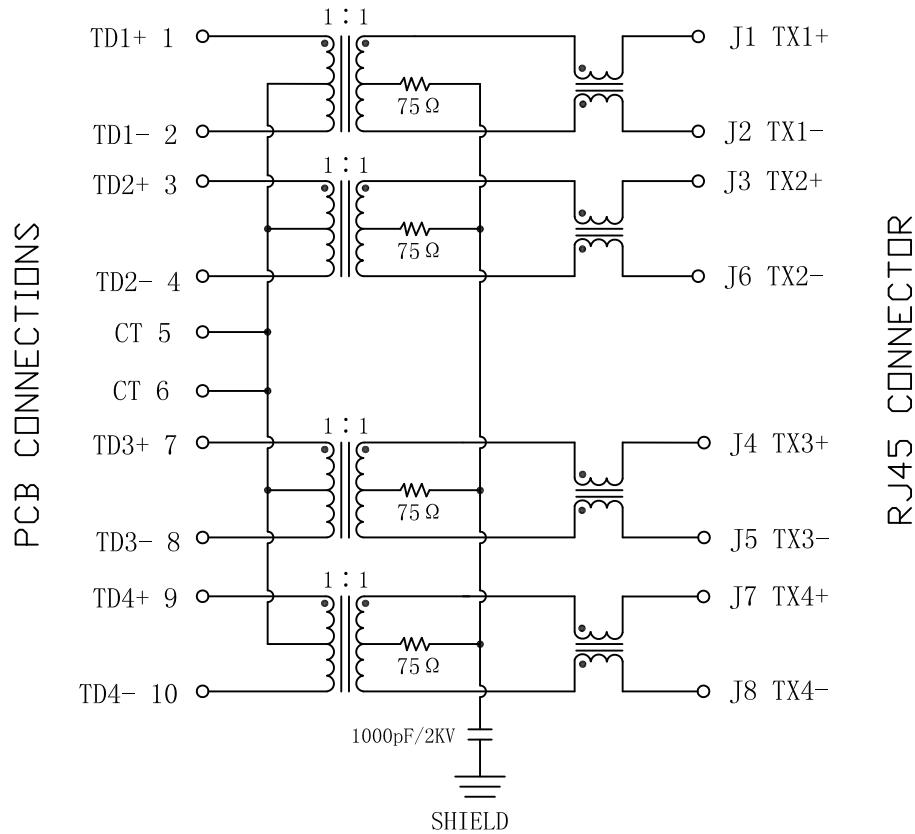
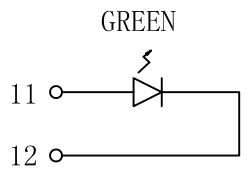


# Schematic:

REV.	ECN NO.	DESCRIPTION	DATE	APPD
A	REL		2008/07/02	

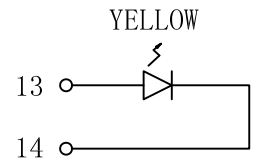


- Electrical Specification @25°C
- Turns Ratio ( $\pm 5\%$ ) : 1CT : 1CT
  - OCV: 350uH Min  
@100KHz, 0.1V, 8mA DC Bias
  - Insertion Loss:  
1~100MHz:-1. dB Max
  - Return Loss(dB Min) :  
1~30MHz:-16                      30~40MHz:-13.5  
40~50MHz:-11.5                  50~80MHz:-10
  - Crosstalk(dB Min) :  
0.3~30MHz:-40                    30~60MHz:-35  
60~100MHz:-30
  - CMR(dB Min) :  
1~30MHz:-35                      30~60MHz:-32  
60~125MHz:-35
  - Hipot: 1500Vrms
  - Operating Temperature: 0°C~70°C.



LEFT LED

LED POLARITY		COLOR
PIN 11	PIN 12	
+	-	GREEN



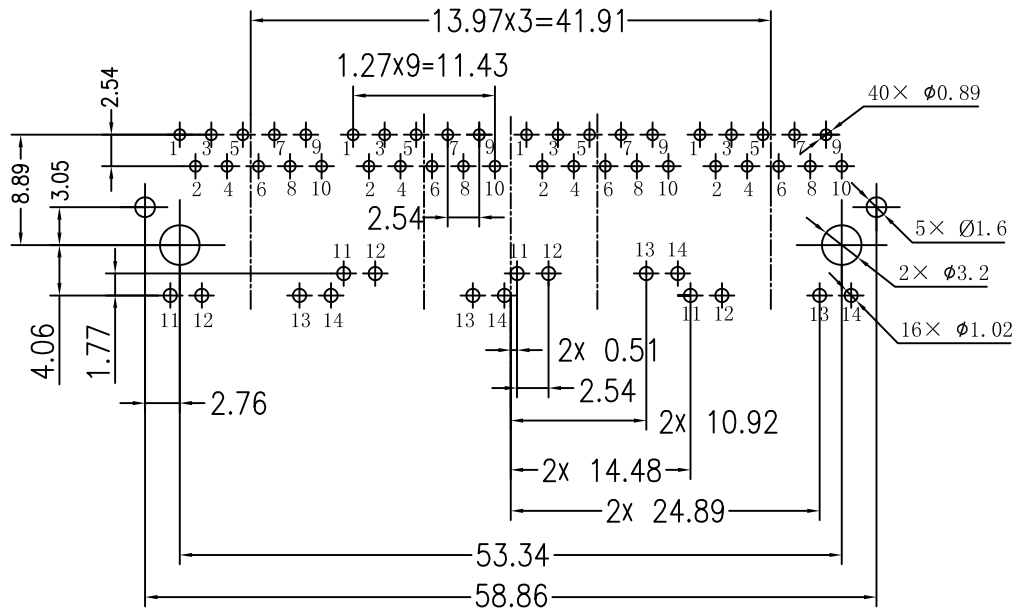
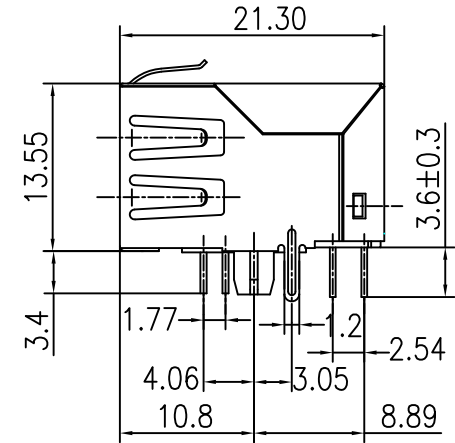
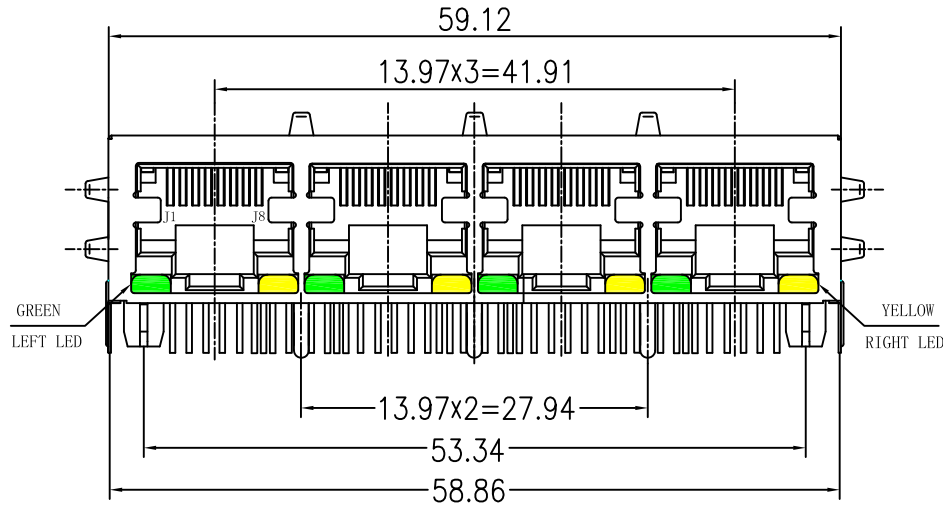
RIGHT LED

LED POLARITY		COLOR
PIN 13	PIN 14	
+	-	YELLOW

X:X	$\pm 0.25$	APPD:	LINK-PP INT'L TECHNOLOGY CO., LIMITED
X:XX	$\pm 0.20$	CHKD:	
X:XXX	$\pm 0.05$	DR: TOM	TITLE: RJ45 Connector With 1000 Base-TX Integrated Magnetic
ANGLES	$\pm 1^\circ$	UNIT: mm	PART NO. : LPJG46801AENL
	SCALE: 2/1	SHEET: 1/2	REV: A      DWG: LP08070228

# Mechanical:

REV.	ECN NO.	DESCRIPTION	DATE	APPD
A	REL		2008/07/02	



SUGGESTED PCB LAYOUT (TOP VIEW)

## NOTES:

1. Designed to support application, such as SOHO (ADSL modems), LAN-on-Motherboard (LOM), hub and Switches.
2. Meets IEEE 802.3 specification
3. Connector Materials:  
 Housing: Thermoplastic UL94V-0  
 Contact/Shield: Copper alloy  
 Shield plating: Nickel  
 Contact plating: Gold 6 micro-inches min. In contact area.
4. Wave peak temperature: 260°C, 5Sec.



X:X	±0.25	APPD:	LINK-PP INT'L TECHNOLOGY CO., LIMITED
X:XX	±0.20	CHKD:	
X:XXX	±0.05	DR: TOM	TITLE: RJ45 Connector With 1000 Base-TX Integrated Magnetic
ANGLES	±1°	UNIT: mm	PART NO.: LPJG46801AENL
	SCALE: 2/1	SHEET: 2/2	REV: A DWG: LP08070228