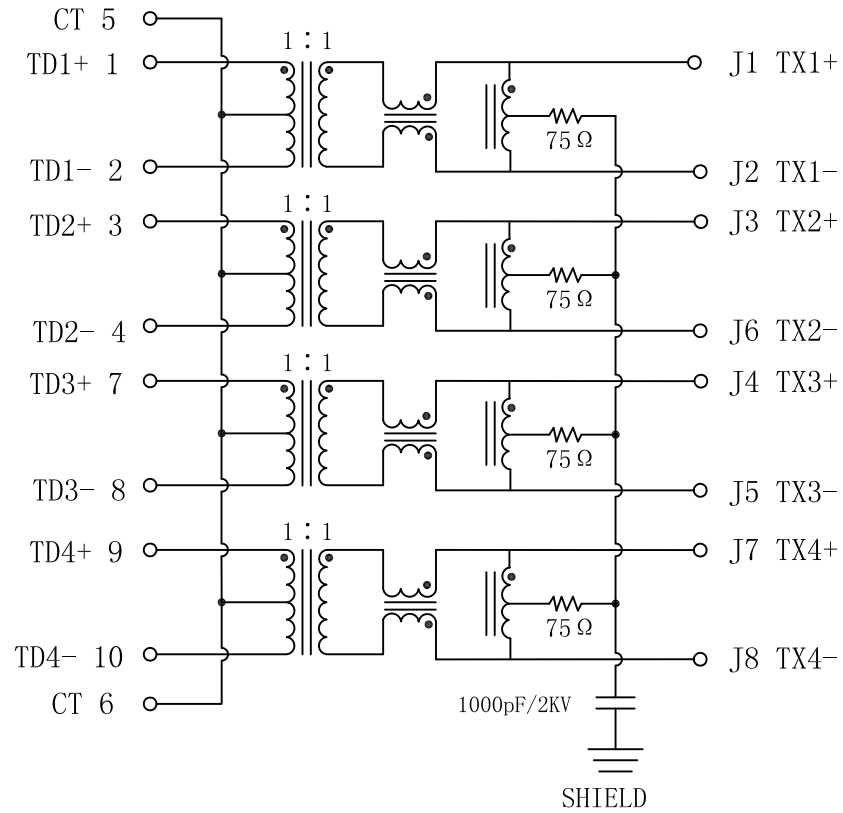


Schematic:

REV.	ECN NO.	DESCRIPTION	DATE	APPD
A	REL		2010/07/16	

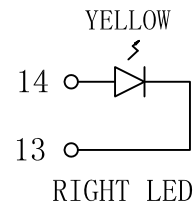
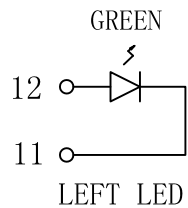
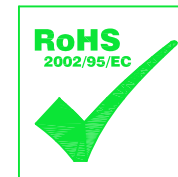
PCB CONNECTIONS



RJ45 CONNECTOR

Electrical Specifications @ 25°C

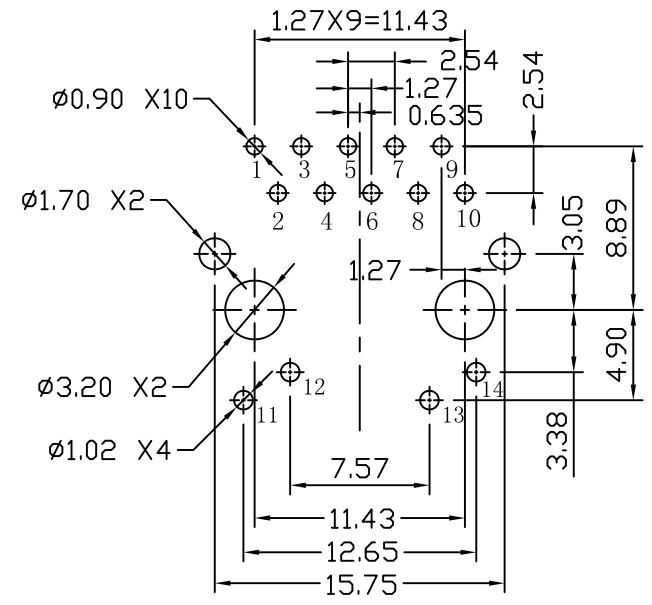
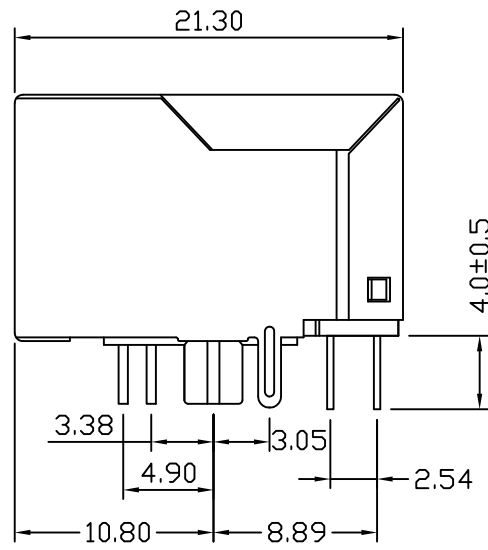
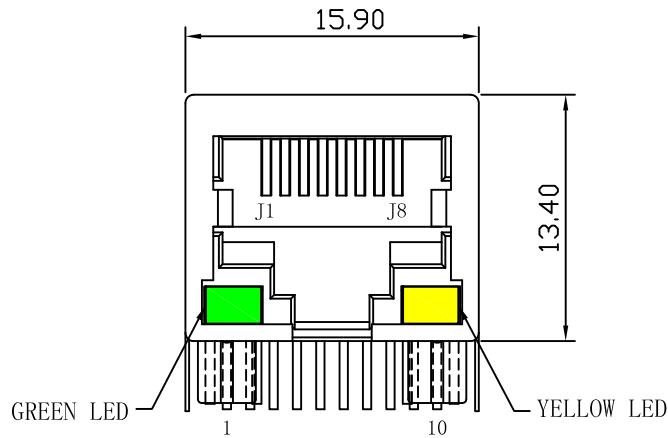
- Turns Ratio:
TX=1:1 RX=1:1
- INDUCTANCE(@100KHz, 100mV, 8mA DC BIAS):
J1-J2;J3-J6;J4-J5;J7-J8: 350uH min
- Insertion Loss:
1~100MHz:-1.0dB Max
- Return Loss(dB Min. load 100 Ω):
1~30MHz:-18 30~60MHz:-16
60~80MHz:-12 80~100MHz:-10
- Crosstalk:
1~100MHz:-30dB Min
- Common Mode Rejection:
1~100MHz:-30dB Min
- Isolation Voltage:1500Vrms
- Operating Temperature Range: 0°C~70°C.



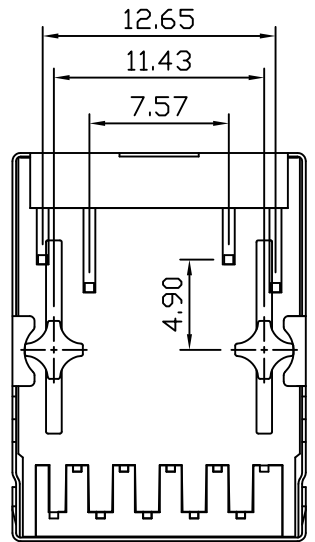
X:X	±0.30	APPD:	LINK-PP INT'L TECHNOLOGY CO., LIMITED	
X:XX	±0.20	CHKD:	TITLE: RJ45 Connector with 1000 Base-T Integrated Magnetics	
X:XXX	±0.05	DR: TOM	PART NO.: LPJG0803BHNL	
ANGLES	±1°	UNIT: mm	DWG NO.: LP10071609	
	SCALE: 2/1	SHEET: 1/2	REV: A	

Mechanical:

REV.	ECN NO.	DESCRIPTION	DATE	APPD
A	REL		2010/07/16	



SUGGESTED PCB LAYOUT(TOP VIEW)



NOTES:

1. Designed to support application, such as SOHO (ADSL modems), LAN-on-Motherboard (LOM), hub and Switches.
2. Meets IEEE 802.3 specification
3. Connector Materials:
 Housing: Thermoplastic UL94V-0
 Contact/Shield: Copper alloy
 Shield plating: Nickel
 Contact plating: Gold 6 micro-inches min. In contact area.
4. Wave solder tip temperature: 265°C Max
 Wave solder tip temperature time: 5 Sec Max

X:X	±0.30	APPD:	LINK-PP INT'L TECHNOLOGY CO., LIMITED	
X:XX	±0.20	CHKD:	TITLE: RJ45 Connector with 1000 Base-T Integrated Magnetics	
X:XXX	±0.05	DR: TOM	PART NO.: LPJG0803BHNL	
ANGLES	±1°	UNIT: mm	DWG NO.: LP10071609	
	SCALE: 2/1	SHEET: 2/2	REV: A	