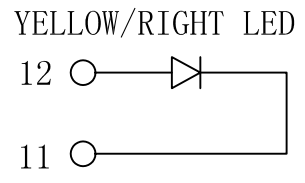
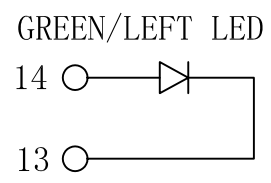
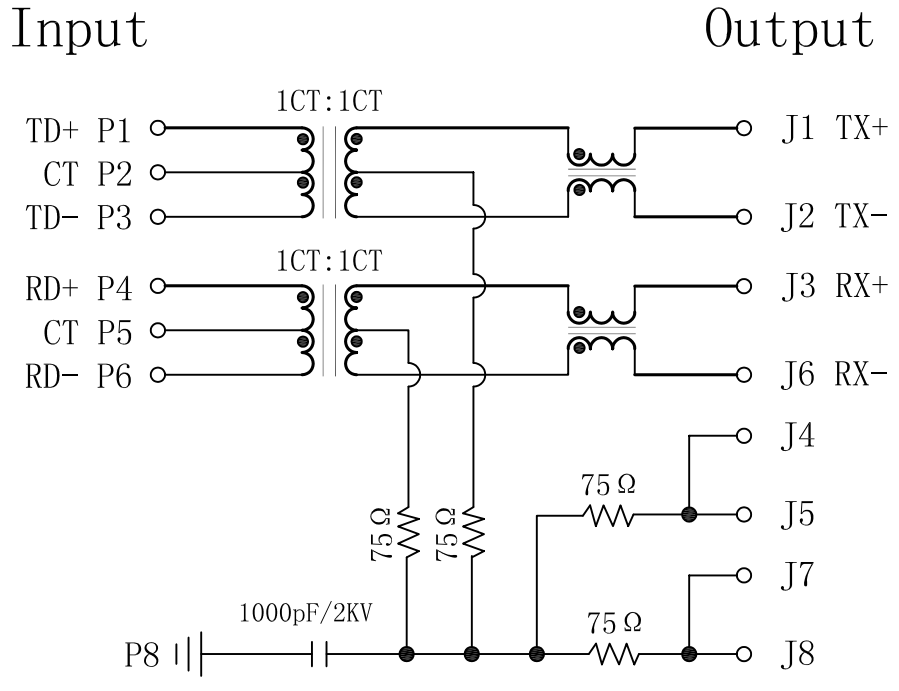


# Schematic:

REV.	ECN NO.	DESCRIPTION	DATE	APPD
A	REL		2011/03/04	

PC BOARD CONNECTIONS



RJ45 CONNECTOR

### Electrical Specifications @25°C

1. Turns Ratio( $\pm 5\%$ ): 1CT:1CT
2. Inductance: 350uH MIN  
@100KHz, 0.1V, 8mA DC Bias
3. Insertion Loss:
  - 1-80MHz: -1.0dB MAX
  - 100MHz: -1.2dB MAX
4. Return Loss:
  - 1-60MHz: -14dB MIN
  - 60-100MHz: -10dB MIN
5. Crosstalk:
  - 1-100MHz: -35dB MIN
6. Common Mode Rejection:
  - 1-100MHz: -30dB TYP
7. Hipot: 1500Vrms
8. Operating Temperature: 0~70°C.



X:X	$\pm 0.20$	APPD:	LINK-PP INT'L TECHNOLOGY CO., LIMITED	
X:XX	$\pm 0.10$	CHKD:		
X:XXX	$\pm 0.05$	DR: TOM	Title: RJ45 21 W/Transformer. 10/100 Base-T W/LED	
ANGLES	$\pm 1^\circ$	UNIT: mm	PART NO. : LPJ17402AHNL	
	SCALE: 2/1	SHEET: 1/2	REV: A	DWG NO. : LP11030406

