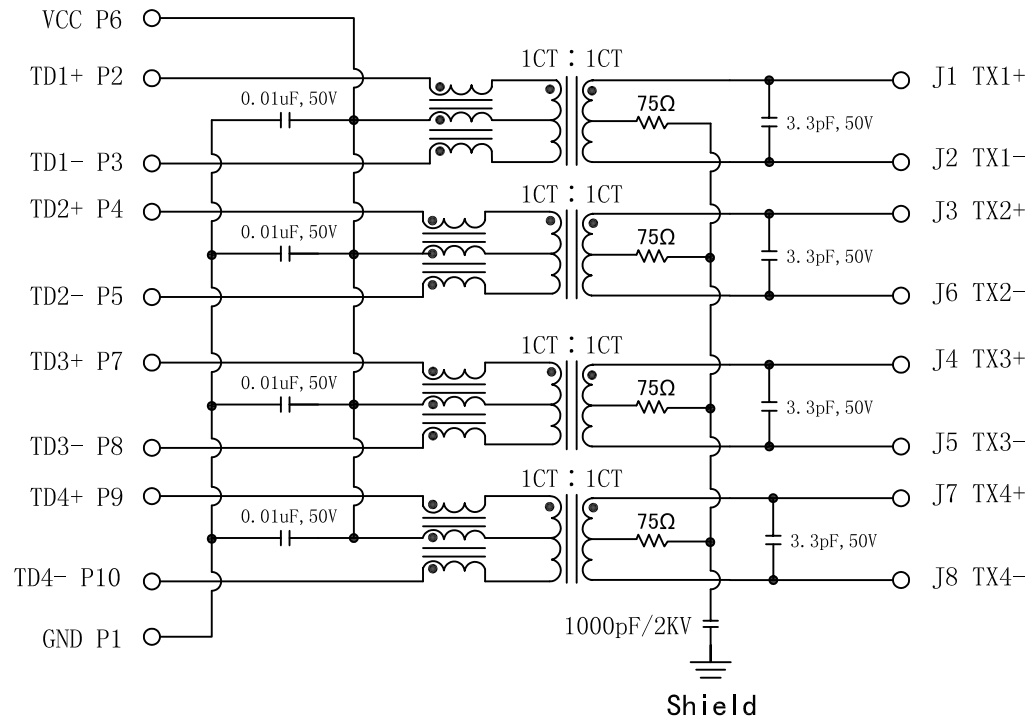


# Schematic:

REV.	ECN NO.	DESCRIPTION	DATE	APPD
A	REL		2012/02/18	C. H. Y

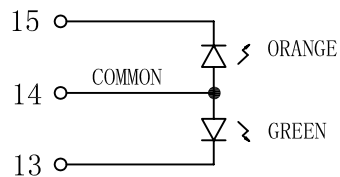
PCB CONNECTIONS



RJ45 CONNECTOR

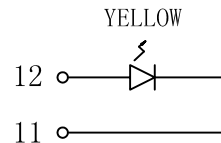
## ELECTRICAL SPECIFICATIONS @25°C

- Turn Ratio:  
TX=1CT : 1CT      RX=1CT : 1CT
- Inductance OCL: 350uH MIN  
@100KHz 100mV 8mA DC Bias
- Insertion Loss:  
-1.1dB MAX @ 0.5-100MHz
- Return Loss(@load 100 Ω):  
-18dB MIN @ 0.5-40MHz  
-[12-20LOG(f/80)]dB MIN @ 40.1-100MHz
- Cross talk:  
-35dB MIN @ 0.5-40MHz  
-[33-20LOG(f/50)]dB MIN @ 40.1-100MHz
- Common Mode Rejection Ratio(CMRR):  
-30dB MIN @ 0.5-100MHz
- Hipot Test: 1500Vrms
- Operating Temperature Range: 0°C TO 70°C



LEFT LED

LED POLARITY			COLOR
PIN 13	PIN 14	PIN 15	
-	+	/	GREEN
/	+	-	ORANGE



RIGHT LED

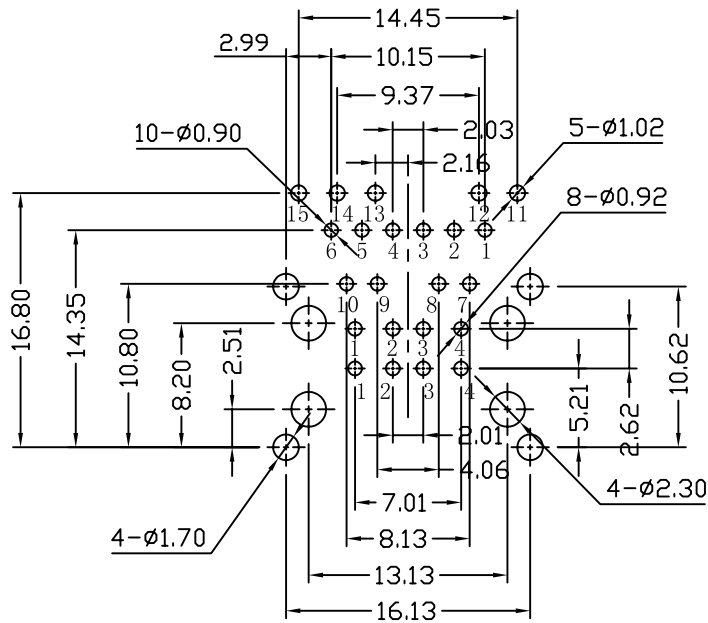
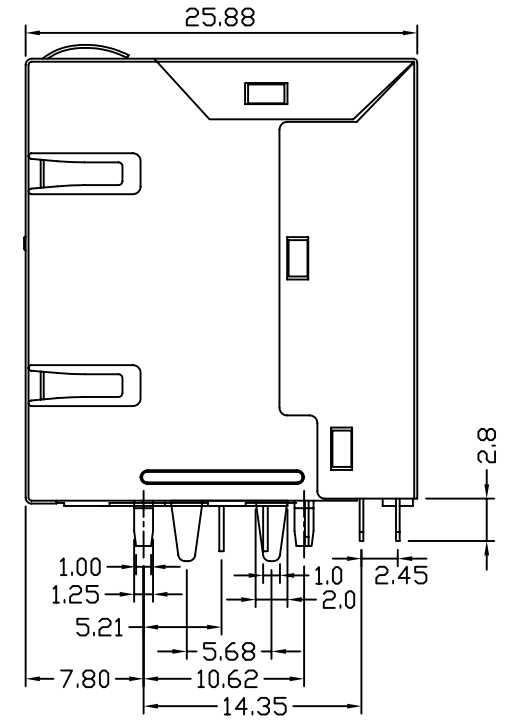
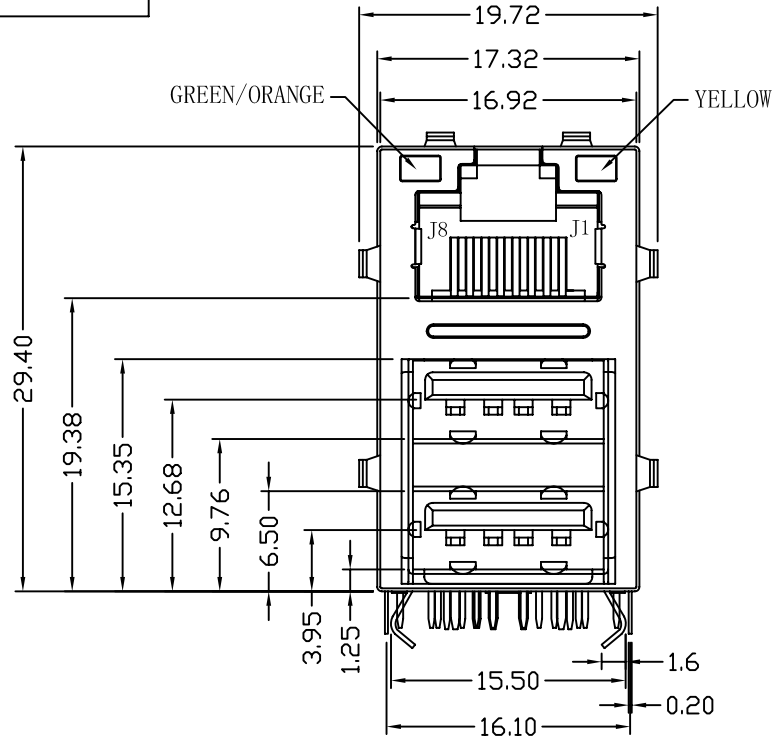
LED POLARITY			COLOR
PIN 12	PIN 11		
+	-		YELLOW



X:X ±0.25	APPD:	LINK-PP INT'L TECHNOLOGY CO., LIMITED		
X:XX ±0.20	CHKD:	TITLE: RJ45 1000 Base-TX Jack/Dual USB Combo		
X:XXX ±0.05	DR: TOM	PART NO.: LPJU4203A64NL		
ANGLES ±1°	UNIT: mm	DWG NO.: LP12021803		
	SCALE: 2/1	SHEET: 1/2	REV: A	

Mechanical:

REV.	ECN NO.	DESCRIPTION	DATE	APPD
A	REL		2012/02/18	C. H. Y



SUGGESTED PCB LAYOUT(TOP VIEW)

NOTES:

1. Designed to support application, such as SOHO(ADSL modems), LAN-on-Motherboard (LOM), hub and Switches.
2. Meets IEEE 802.3 specification
3. Connector Materials:  
 Housing: Thermoplastic PA66+25%G.F UL94V-0  
 Contact: Phosphor Bronze C5210 EH T=0.30mm  
 Shield: SUS 430 T=0.2mm  
 Contact plating: Gold 6 micro-inches min. In contact area.  
 USB Contact plating: Gold Flash.
4. Wave solder tip temperature: 265°C Max  
 Wave solder tip temperature time: 5 Sec Max



X:X	±0.25	APPD:	LINK-PP INT'L TECHNOLOGY CO., LIMITED	
X:XX	±0.20	CHKD:	TITLE: RJ45 1000 Base-TX Jack/Dual USB Combo	
X:XXX	±0.05	DR: TOM	PART NO.: LPJU4203A64NL	
ANGLES	±1°	UNIT: mm	PART NO.: LPJU4203A64NL	
	SCALE: 2/1	SHEET: 2/2	REV: A	DWG NO.: LP12021803