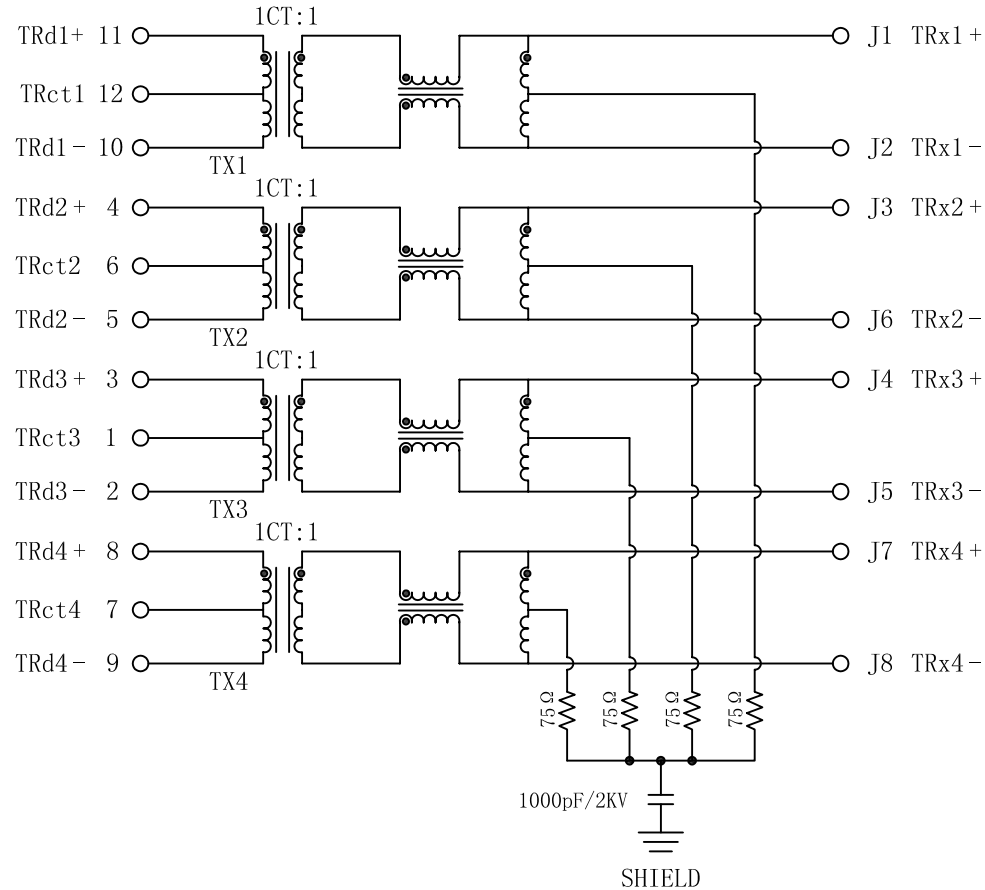


Schematic:

REV.	ECN NO.	DESCRIPTION	DATE	APPD
A	REL		12/08/2008	

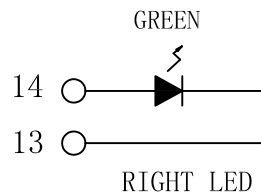
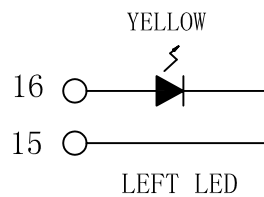
PHY SIDE

CABLE SIDE



Electrical Specifications @25°C

1. OCL (@100KHz, 100mV, 8mA DC BIAS):
350uH min
2. Turns Ratio ($\pm 2\%$): 1CT : 1
3. Insertion Loss:
1~100MHz: -1.0dB max
4. Return Loss (dB min):
1~10MHz: -20 ; 30MHz: -16
60~80MHz: -12 ; 80~100MHz: -10
5. Crosstalk (dB min):
1~10MHz: -40 ; 32~65MHz: -35
65~100MHz: -30
6. CMR (dB min):
1~125MHz: -30 ; 125~500MHz: -20
7. Hi-Pot: 1500Vrms @60Hz
8. Operating Temperature: 0°C ~ 70°C.



X:X	± 0.20	APPD:	LINK-PP INT'L TECHNOLOGY CO., LIMITED
X:XX	± 0.10	CHKD:	
X:XXX	± 0.05	DR: TOM	Title: RJ45 Connector with 1000 Base-TX Integrated Magnetic
ANGLES	$\pm 1^\circ$	UNIT: mm	PART NO.: LPJK0071AGNL
	SCALE: 2/1	SHEET: 1/2	REV: A
			DWG NO.: LP08081208

