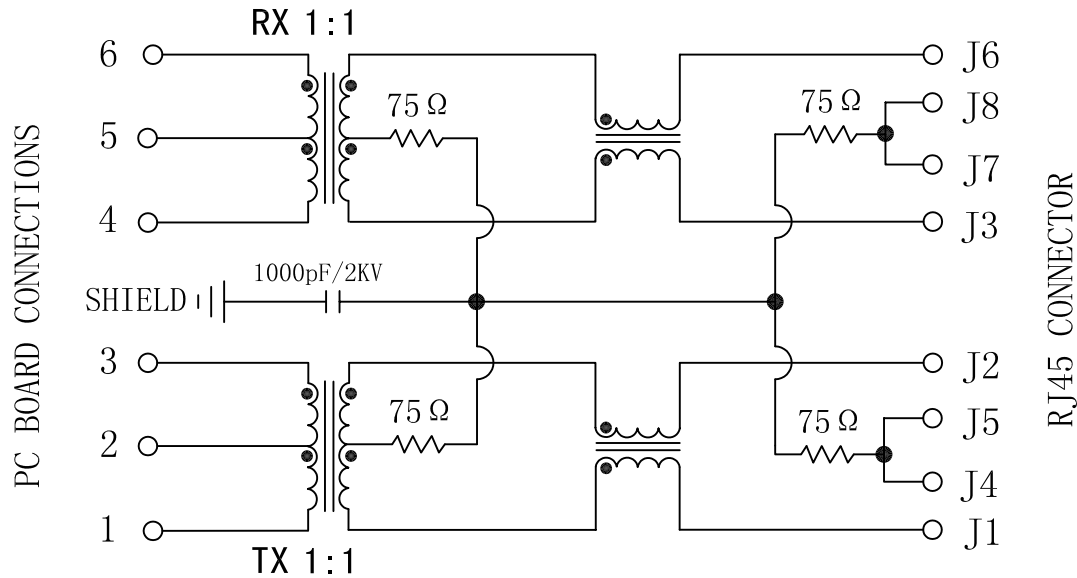


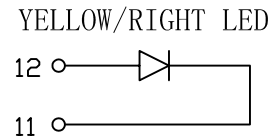
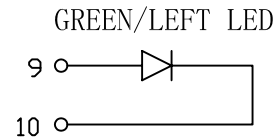
Schematic:

REV.	ECN NO.	DESCRIPTION	DATE	APPD
A	REL		17/07/2008	



Electrical Specification @25°C

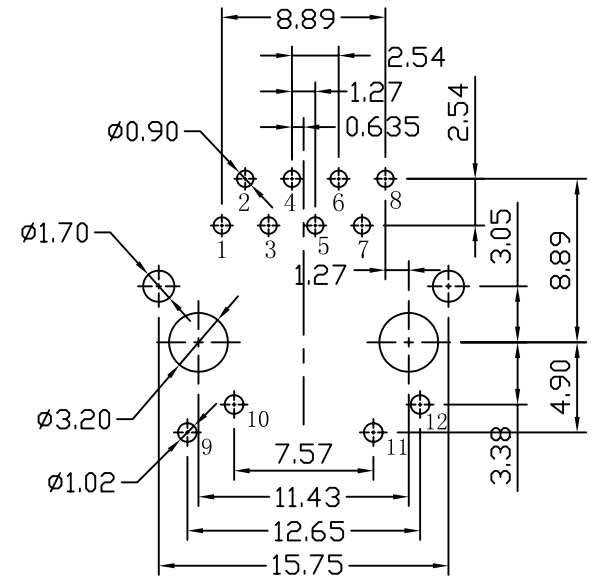
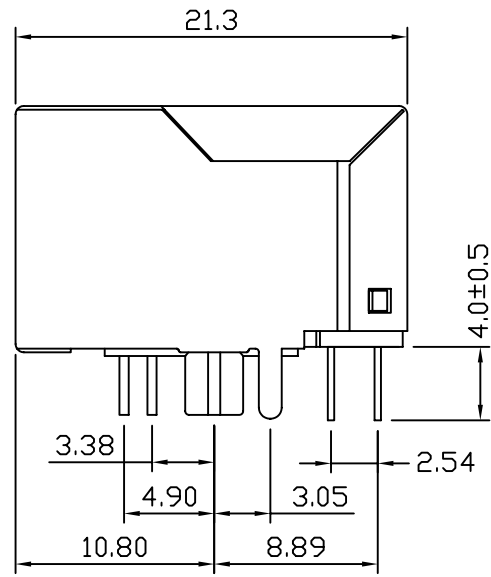
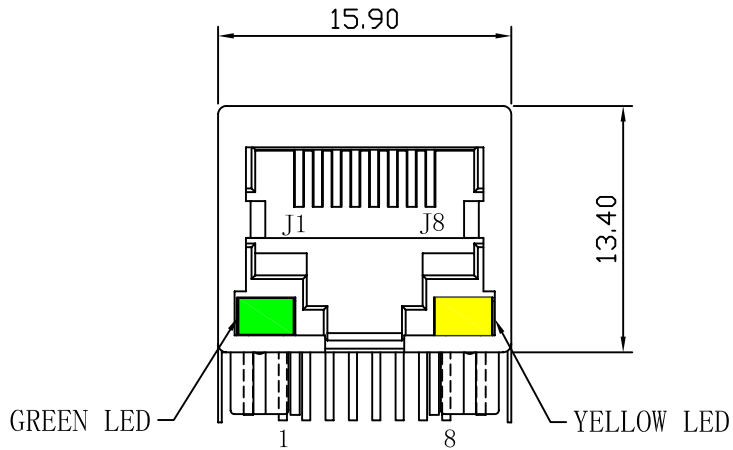
- Turns Ratio ($\pm 2\%$):
 (1-3) : (J1-J2) = 1:1
 (4-6) : (J3-J6) = 1:1
- Inductance: 350uH MIN
 @0.1V, 0.1MHz, 8mA DC Bias
- Cross talk:
 1MHz-100MHz: -40dB
- Common to Mode Rejection
 30MHz-100MHz: -35dB
- Return Loss:
 1MHz-30MHz: -18dB min
 30MHz-80MHz: -12dB min
- Insertion Loss:
 0.1MHz-100MHz: -1.2dB max
- Hipot: 1500Vrms
- Operating Temperature: 0~70°C



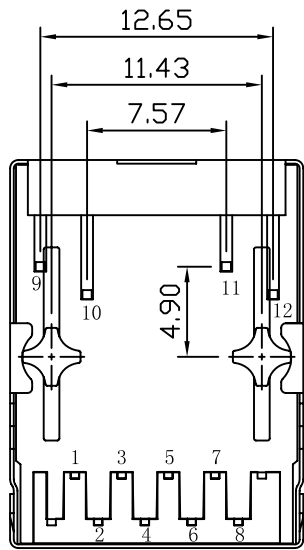
X:X ±0.25	APPD:	LINK-PP INT'L TECHNOLOGY CO., LIMITED		
X:XX ±0.20	CHKD:			
X:XXX ±0.05	DR: TOM	TITLE: RJ45 Connector with 10/100 Base-T Integrated Magnetics		
ANGLES ±1°	UNIT: mm	PART NO.: LPJ0034BBNL		
	SCALE: 2/1	SHEET: 1/2	REV: A	DWG NO.: TRC08121210

Mechanical:

REV.	ECN NO.	DESCRIPTION	DATE	APPD
A	REL		12/12/2008	

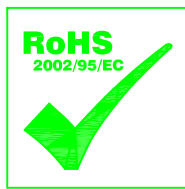


SUGGESTED PCB LAYOUT (TOP VIEW)



NOTES:

1. Designed to support application, such as SOHO (ADSL modems), LAN-on-Motherboard (LOM), hub and Switches.
2. Meets IEEE 802.3 specification
3. Connector Materials:
 Housing: Thermoplastic UL94V-0
 Contact/Shield: Copper alloy
 Shield plating: Nickel
 Contact plating: Gold 6 micro-inches min. In contact area.
4. Wave solder tip temperature: 265°C Max
 Wave solder tip temperature time: 5 Sec Max



X:X ±0.25	APPD:	LINK-PP INT'L TECHNOLOGY CO., LIMITED
X:XX ±0.20	CHKD:	
X:XXX ±0.05	DR: TOM	TITLE: RJ45 Connector with 10/100 Base-T Integrated Magnetics
ANGLES ±1°	UNIT: mm	PART NO.: LPJ0034BBNL
	SCALE: 2/1	SHEET: 2/2
	REV: A	DWG NO.: TRC08121210