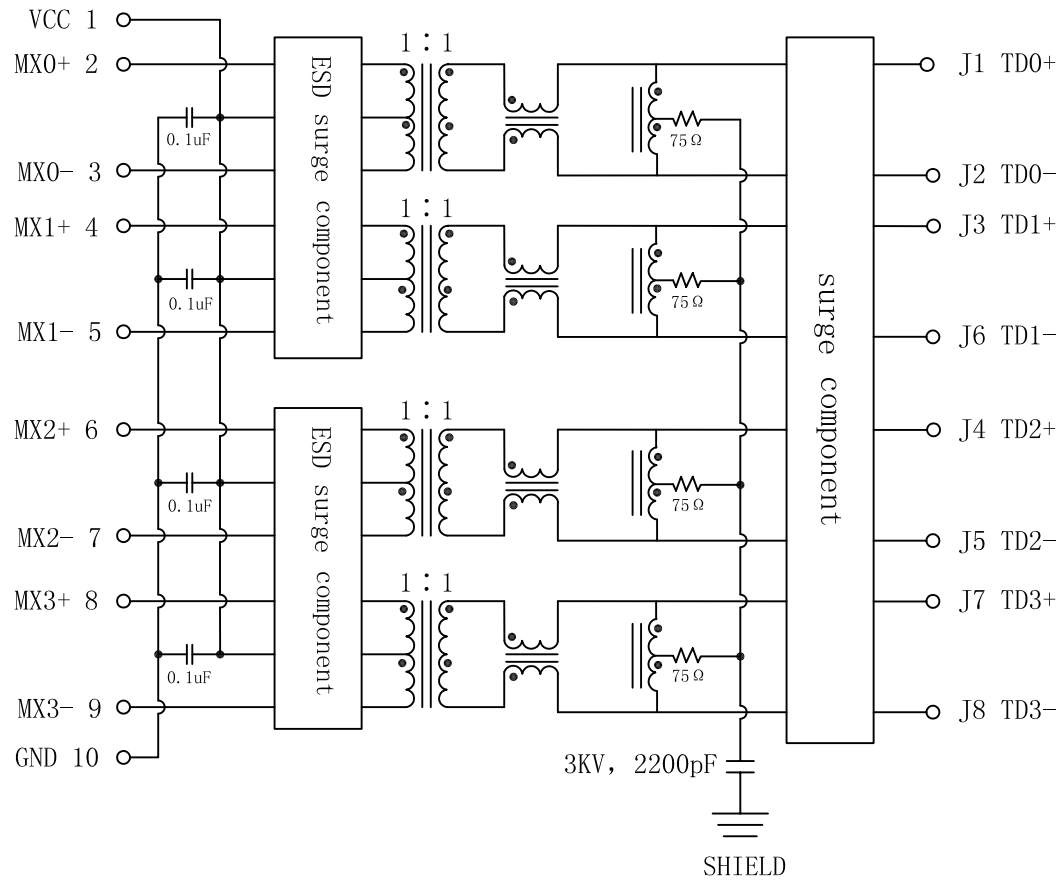


Schematic:

REV.	ECN NO.	DESCRIPTION	DATE	APPD
A	REL		2010/12/20	

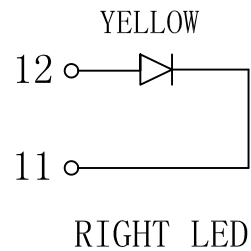
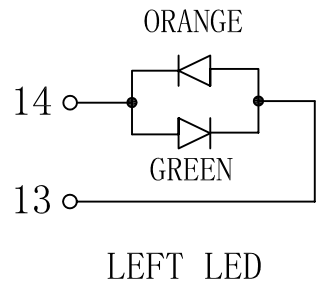
PCB CONNECTIONS



RJ45 CONNECTOR

Electrical Specifications @25°C

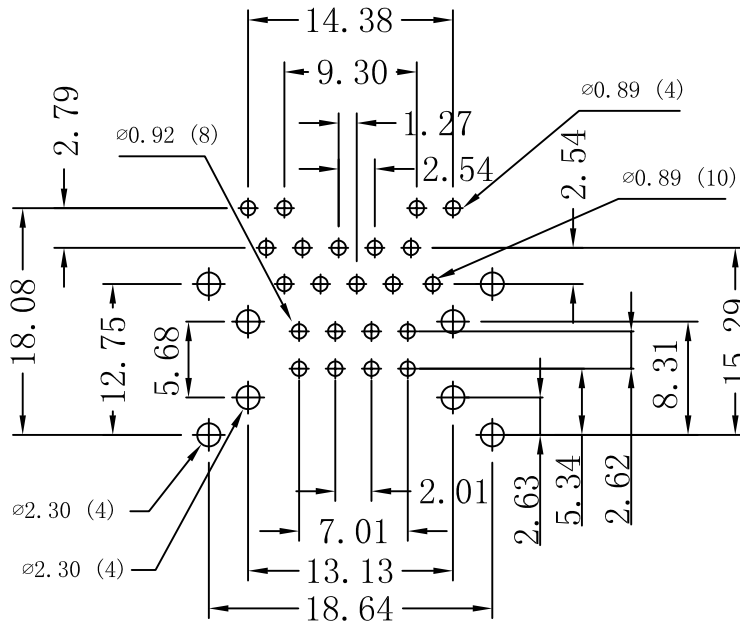
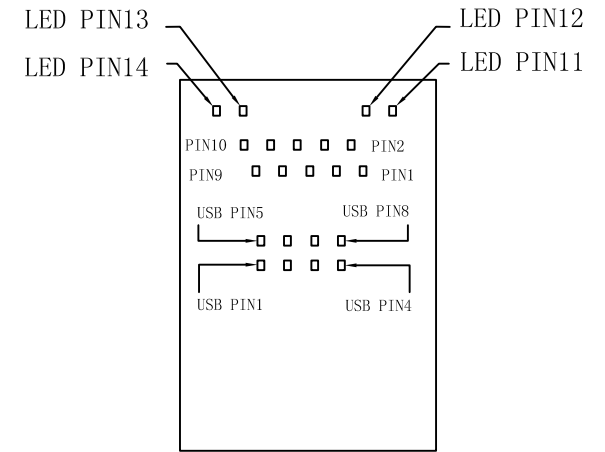
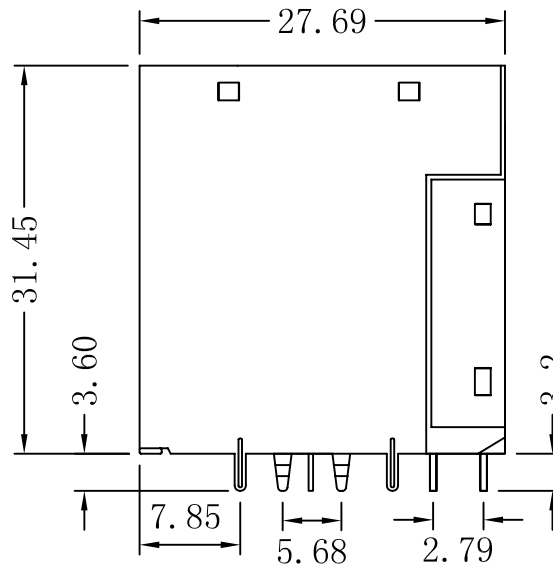
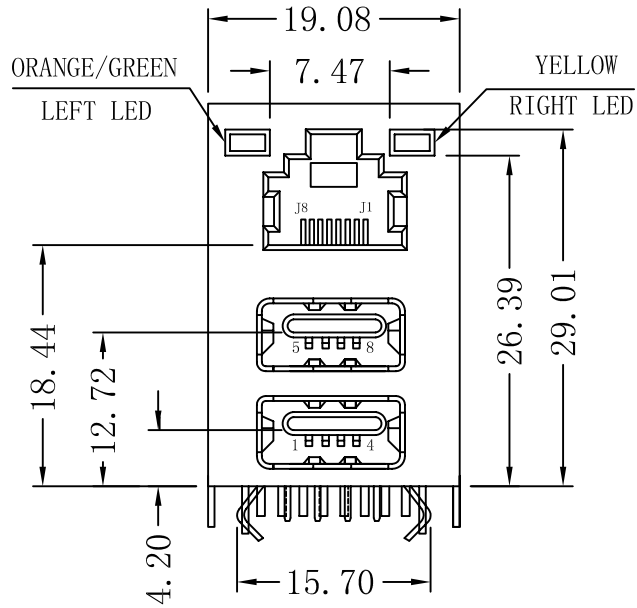
- Turns Ratios:
TX=1:1 RX=1:1
- Inductance (100KHz, 100mV, 8mA, DC Bias):
350uH Min
- Hipot: 1500Vrms
- Insertion Loss:
-1.0dB Max @ 1MHz TO 100MHz
- Return Loss (@100 Ω):
-18dB Min @ 1MHz TO 30MHz
-16dB Min @ 30MHz TO 60MHz
-12dB Min @ 60MHz TO 80MHz
-10dB Min @ 80MHz TO 100MHz
- Cross Talk:
-30dB Min @ 1MHz TO 100MHz
- Common Mode Rejection:
-30dB Min @ 1MHz TO 100MHz
- Operating Temperature: 0°C ~ +70°C.



X:X	±0.30	APPD:	LINK-PP INT'L TECHNOLOGY CO., LIMITED	
X:XX	±0.20	CHKD:	Title: RJ45 10/100/1000BASE-TX JACK/ Dual USB Combo	
X:XXX	±0.10	DR: TOM	PART NO. : LPJU5278BONL	
ANGLES	±1°	UNIT: mm	DWG NO. : LP10122006	
	SCALE: 2/1	SHEET: 1/2	REV: B	

Mechanical:

REV.	ECN NO.	DESCRIPTION	DATE	APPD
A	REL		2010/12/20	



SUGGESTED PCB LAYOUT (TOP VIEW)



NOTES:

1. Designed to support application, such as SOHO (ADSL modems), LAN-on-Motherboard (LOM), hub and Switches.
2. Meets IEEE 802.3 specification
3. Connector Materials:
Housing: Thermoplastic UL94V-0
Contact/Shield: Copper alloy
Shield plating: Nickel
Contact plating: Gold 6 micro-inches min. In contact area.
USB Contact plating: Gold flash.
4. Wave solder tip temperature: 265°C Max
Wave solder tip temperature time: 5 Sec Max

X:X	±0.30	APPD:	LINK-PP INT'L TECHNOLOGY CO., LIMITED
X:XX	±0.20	CHKD:	
X:XXX	±0.10	DR: TOM	Title: RJ45 10/100/1000BASE-TX JACK/ Dual USB Combo
ANGLES	±1°	UNIT: mm	PART NO.: LPJU5278BONL
	SCALE: 2/1	SHEET: 2/2	REV: B DWG NO.: LP10122006