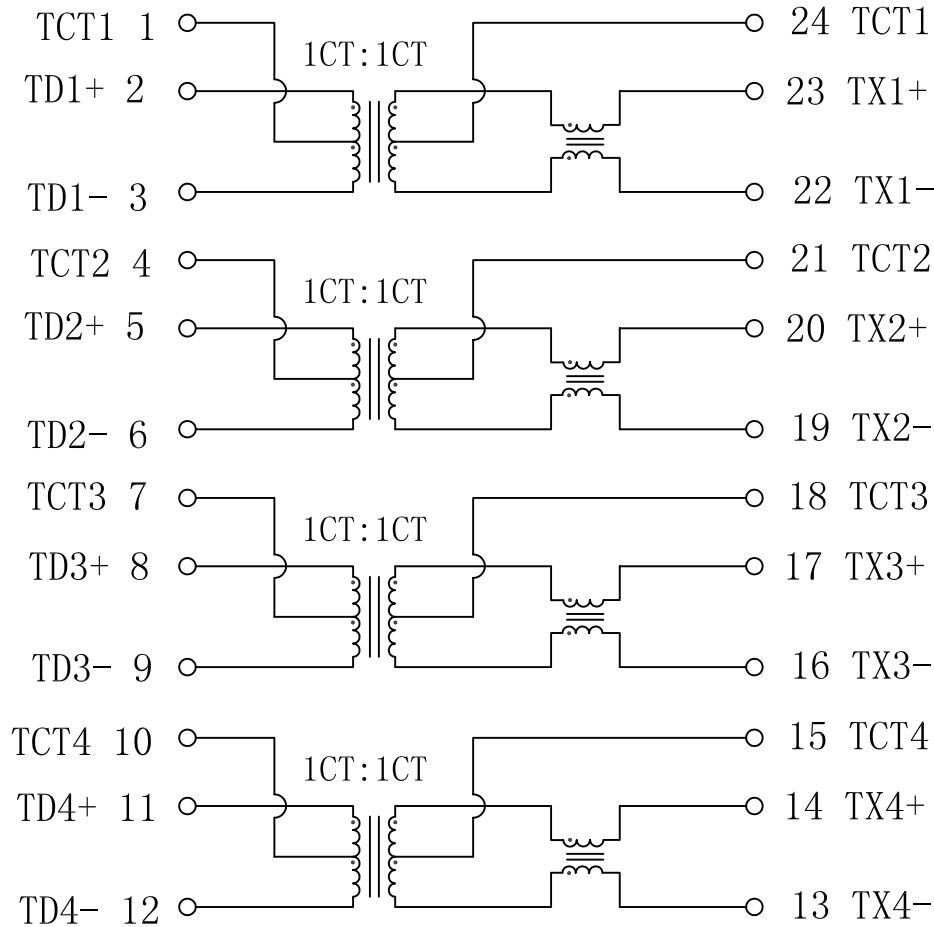


Schematic:

REV.	ECN NO.	DESCRIPTION	DATE	APPD
A	REL		2013/07/24	



Electrical Specifications @25°C

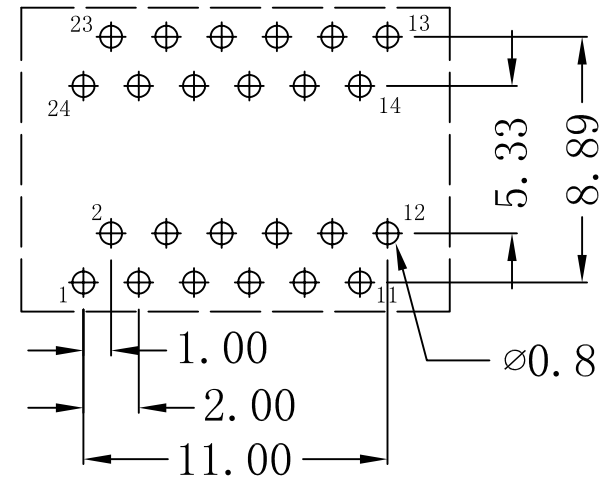
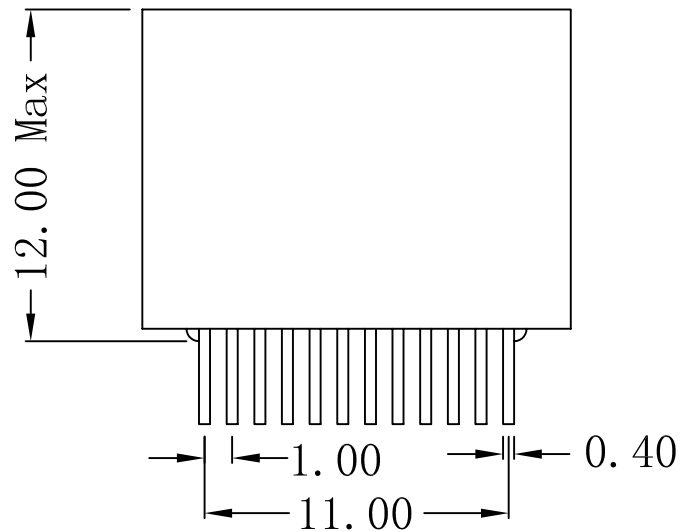
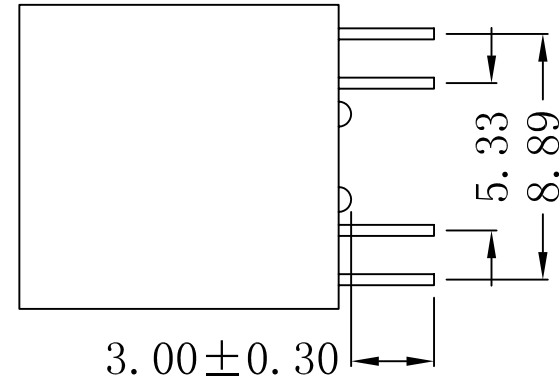
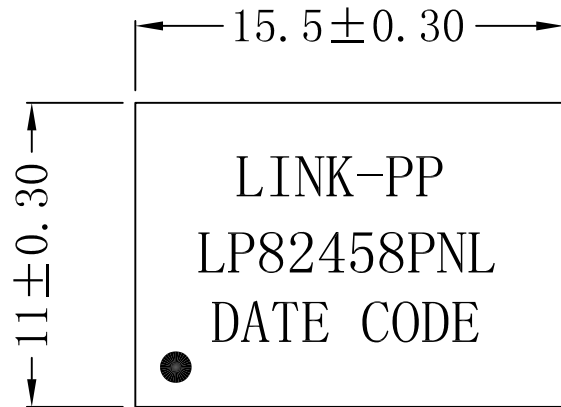
- Turns Ratio($\pm 5\%$): 1CT : 1CT
- 0CL: 350uH Min
@100KHz, 200mV, 8mA DC BIAS
- LL: 0.5uH Max @100KHz, 200mV
- Cw/w: 25pF Typ @100KHz, 200mV
- DCR: 0.9 Ω Max
- Insertion Loss:
1-100MHz:-1.0 dB MAX
- Return Loss(dB MIN):
1-30MHz:-18 40MHz:-14.4
50MHz:-13.1 60-80MHz:-12
- Crosstalk(dB MIN):
30MHz:-42 60-100MHz:-35
- Common Mode Rejection(dB MIN):
30MHz:-40 60MHz:-35
100MHz:-30
- Hipot: 1500Vrms
- Operating Temperature: 0°C ~ 70°C.



X:X	± 0.20	APPD:	LINK-PP INT'L TECHNOLOGY CO., LIMITED	
X:XX	± 0.10	CHKD:	TITLE: 100/1000BASE-TX TRANSFORMER	
X:XXX	± 0.05	DR: TOM	PART NO.: LP82458PNL	
ANGLES	$\pm 1^\circ$	UNIT: mm		
	SCALE: 2/1	SHEET: 1/2	REV: A	DWG NO.: LP13072403

Mechanical:

REV.	ECN NO.	DESCRIPTION	DATE	APPD
A	REL		2013/07/24	



NOTES:

1. 100/1000Base-Tx Transformer
2. For RoHS part add suffix NL.
3. RoHS "NL" peak solder rating $260^{\circ}\text{C} \pm 5^{\circ}\text{C}$.



X:X	± 0.20	APPD:	LINK-PP INT'L TECHNOLOGY CO., LIMITED	
X:XX	± 0.10	CHKD:	TITLE: 100/1000BASE-TX TRANSFORMER	
X:XXX	± 0.05	DR: TOM	PART NO.: LP82458PNL	
ANGLES	$\pm 1^{\circ}$	UNIT: mm	SCALE: 2/1 SHEET: 2/2 REV: A DWG NO.: LP13072403	