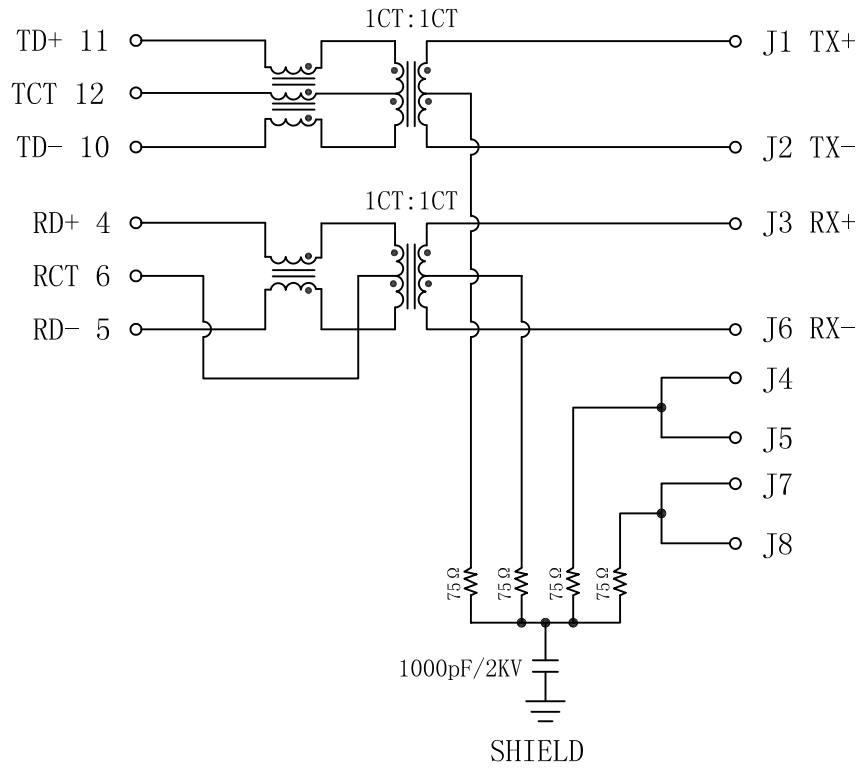


Schematic:

REV.	ECN NO.	DESCRIPTION	DATE	APPD
A	REL		2012/03/15	

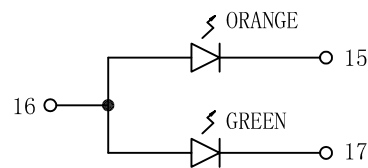
PCB CONNECTIONS



RJ45 CONNECTOR

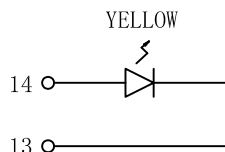
Electrical Specifications @25°C

- OCL: 350uH Min @100KHz/100mVrms
8mA DC Bias (0°C-70°C)
- Turns Ratio(±3%):
TX=1CT:1CT RX=1CT:1CT
- Insertion Loss:
1-100MHz:-1.0dB MAX
- Return Loss(@100Ω ± 15Ω):
1-10MHz:-18dB TYP
30MHz:-18dB TYP
60-80MHz:-12dB TYP
80-100MHz:-10dB TYP
- Crosstalk(dB TYP):
1-10MHz:-40
32-65MHz:-35
65-100MHz:-30
- CMR(dB MIN):
1-125MHz:-30
- Hipot:1500Vrms MIN
- Operating Temperature: 0°C ~+70°C.



LEFT LED

LED POLARITY			COLOR
PIN 15	PIN 16	PIN 17	
-	+	/	ORANGE
/	+	-	GREEN



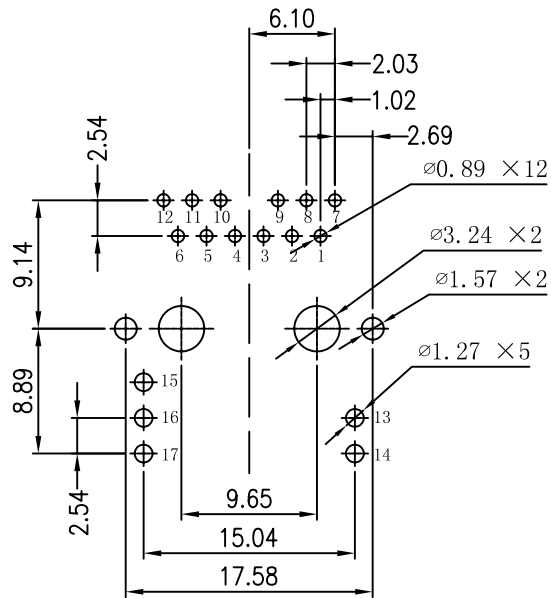
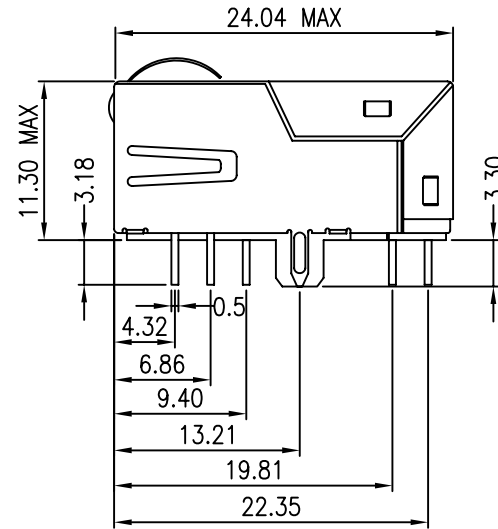
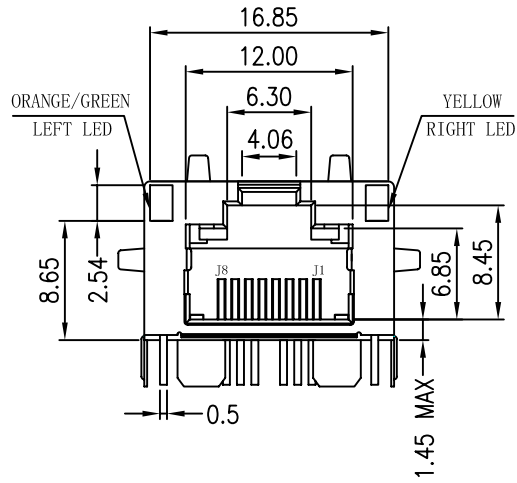
RIGHT LED

LED POLARITY		COLOR
PIN 13	PIN 14	
-	+	YELLOW

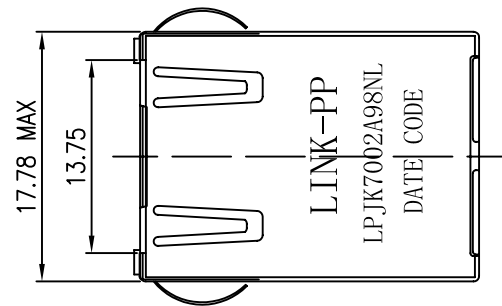


X:X	±0.25	APPD:	LINK-PP INT'L TECHNOLOGY CO., LIMITED	
X:XX	±0.20	CHKD:	TITLE: RJ45 Connector With 1000 Base-TX Integrated Magnetic	
X:XXX	±0.05	DR: TOM	PART NO.: LPJK7002A98NL	
ANGLES	±1°	UNIT: mm		
	SCALE: 2/1	SHEET: 1/2	REV: A	DWG: LP12121202

Mechanical:



SUGGESTED PCB LAYOUT(TOP VIEW)



REV.	ECN NO.	DESCRIPTION	DATE	APPD
A	REL		2012/12/12	

NOTES:

1. Designed to support application, such as SOHO (ADSL modems), LAN-on-Motherboard (LOM), hub and Switches.
2. Meets IEEE 802.3 specification
3. Connector Materials:
 Housing: Thermoplastic UL94V-0
 Contact/Shield: Copper alloy
 Shield plating: Nickel
 Contact plating: Gold 6 micro-inches min. In contact area.
4. Wave peak temperature: 260°C, 5Sec.



X:X	±0.25	APPD:	LINK-PP INT'L TECHNOLOGY CO., LIMITED	
X:XX	±0.20	CHKD:		
X:XXX	±0.05	DR: TOM	TITLE: RJ45 Connector With 1000 Base-TX Integrated Magnetic	
ANGLES	±1°	UNIT: mm	PART NO.: LPJK7002A98NL	
	SCALE: 2/1	SHEET: 2/2	REV: A	DWG: LP12121202