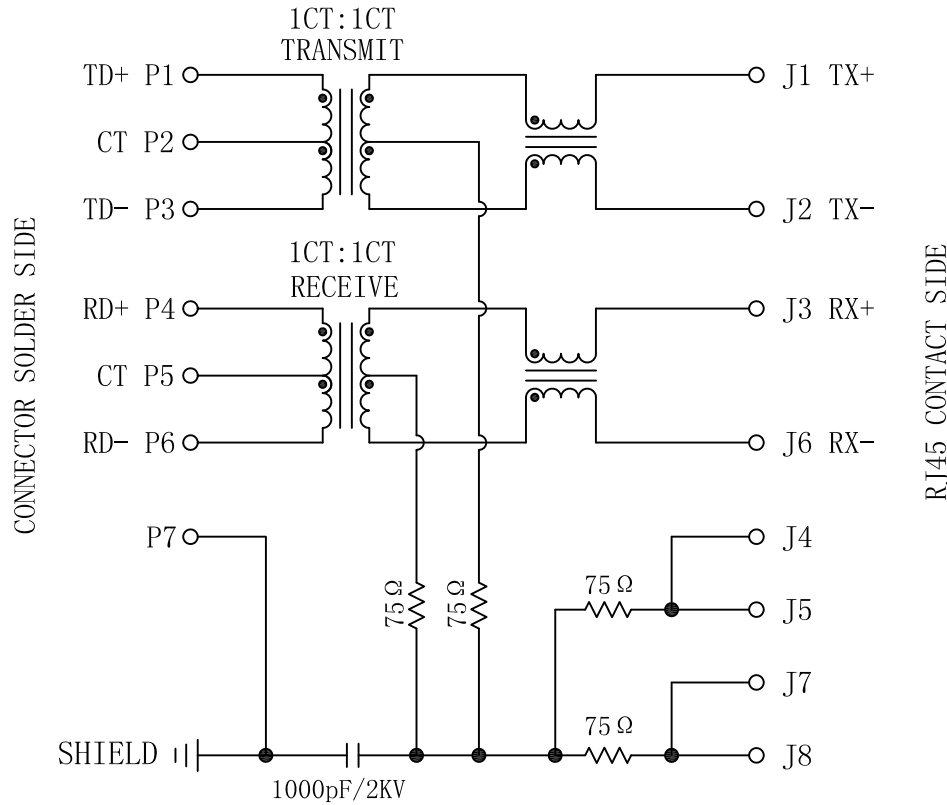


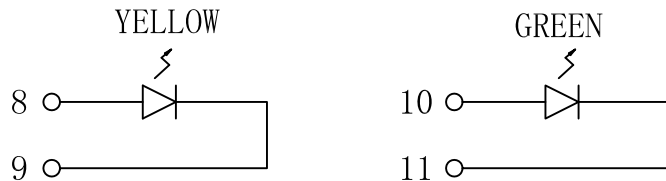
Schematic:

REV.	ECN NO.	DESCRIPTION	DATE	APPD
A	REL		24/04/2009	



ELECTRICAL SPECIFICATIONS@25°C

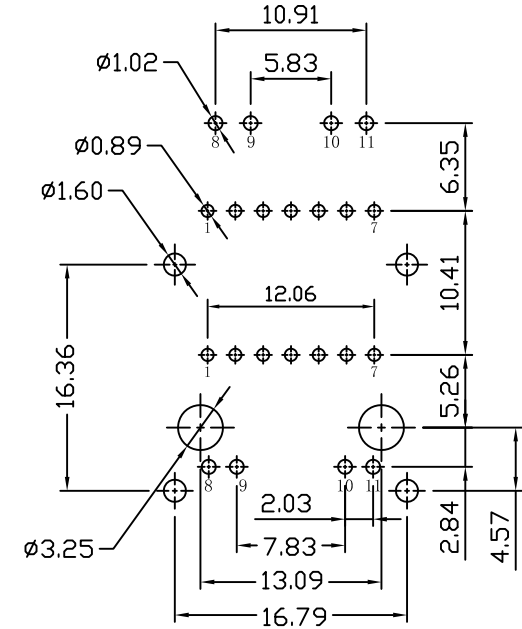
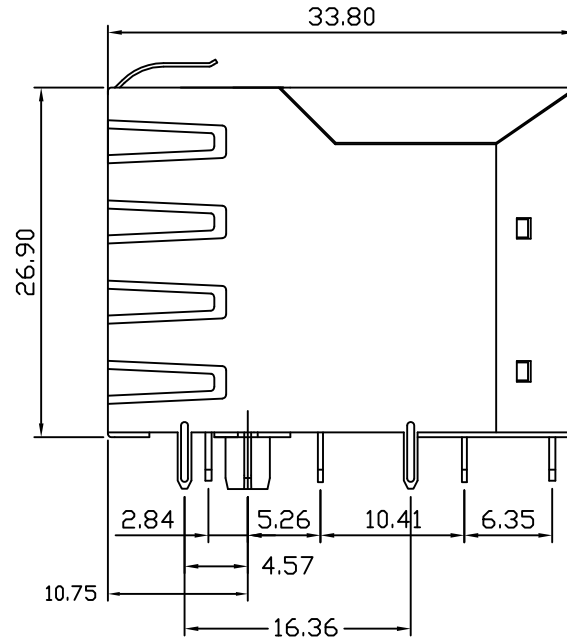
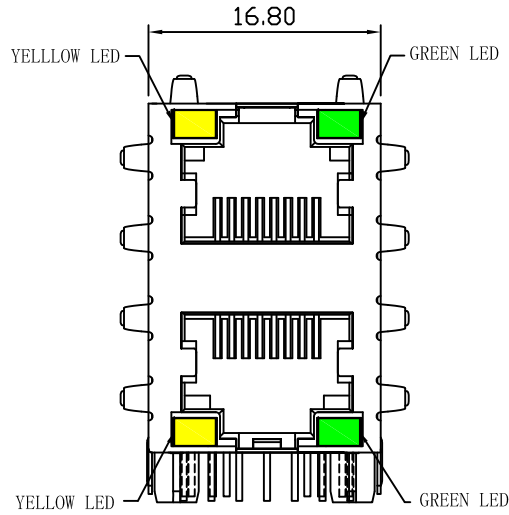
- Turn Ratio($\pm 3\%$):
TX=1CT : 1CT RX=1CT : 1CT
- Inductance OCL: 350uH MIN
@100KHz/0.1V, 8mA DC Bias
- DCR:
PINS: (J1-J2), (J3-J6)=1.2 OHMS MAX
- Insertion Loss:
-1.0dB MAX @ 0.3-100MHz
- Return Loss:
-20dB MIN @ 1-30MHz
-15dB MIN @ 30-60MHz
-10dB MIN @ 60-80MHz
- Cross talk:
-30dB MIN @ 1-100MHz
- Common Mode Rejection:
-30dB MIN @ 1-100MHz
- Hipot Test: 1500Vrms MIN
- Operating Temperature: -40°C TO +85°C



X:X	± 0.30	APPD:	LINK-PP INT'L TECHNOLOGY CO., LIMITED	
X:XX	± 0.20	CHKD:	TITLE: RJ45 Connector with 10/100 BASE-T Integrated Magnetics	
X:XXX	± 0.05	DR: TOM	PART NO.: LPJ17633ADNL	
ANGLES	$\pm 1^\circ$	UNIT: mm		
	SCALE: 2/1	SHEET: 1/2	REV: A	DWG NO.: LP09042416

Mechanical:

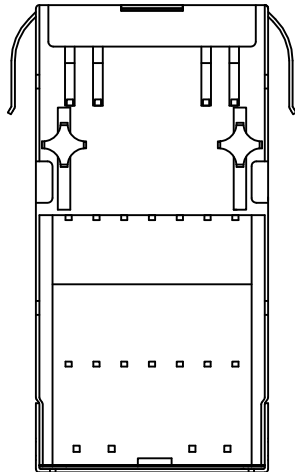
REV.	ECN NO.	DESCRIPTION	DATE	APPD
A	REL		24/04/2009	



SUGGESTED PCB LAYOUT (TOP VIEW)

NOTES:

1. Designed to support application, such as SOHO (ADSL modems), LAN-on-Motherboard (LOM), hub and Switches.
2. Meets IEEE 802.3 specification
3. Connector Materials:
 Housing: Thermoplastic UL94V-0
 Contact/Shield: Copper alloy
 Shield plating: Nickel
 Contact plating: Gold 6 micro-inches min. In contact area.
4. Wave solder tip temperature: 260°C
 Wave solder tip temperature time: 5 Sec Max



X:X	±0.30	APPD:	LINK-PP INT'L TECHNOLOGY CO., LIMITED	
X:XX	±0.20	CHKD:	TITLE: RJ45 Connector with 10/100 BASE-T Integrated Magnetics	
X:XXX	±0.05	DR: TOM	PART NO.: LPJ17633ADNL	
ANGLES	±1°	UNIT: mm	DWG NO.: LP09042416	
	SCALE: 2/1	SHEET: 2/2	REV: A	