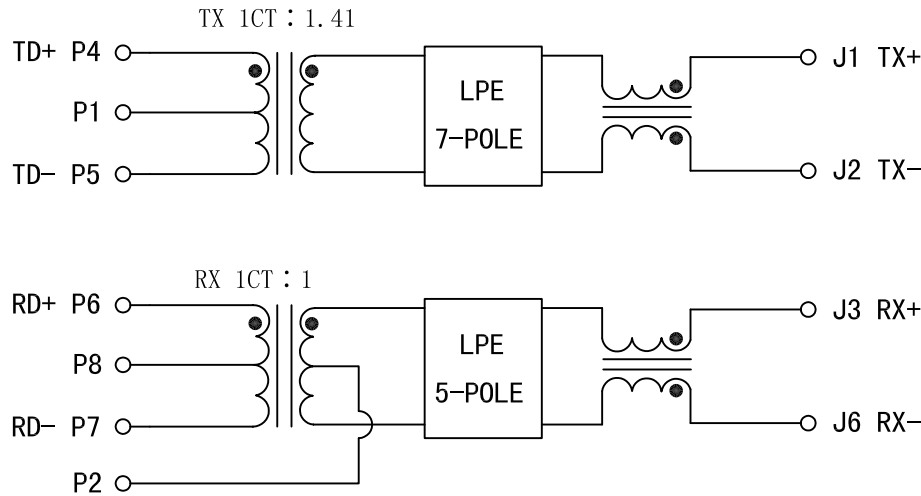


Schematic:

REV.	ECN NO.	DESCRIPTION	DATE	APPD
A	REL		2011/05/15	

PC BOARD CONNECTIONS

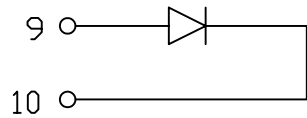


RJ45 CONNECTOR

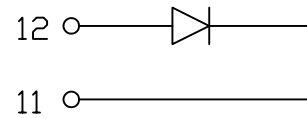
Electrical Specification @25°C

- Turns Ratio ( $\pm 5\%$ ) :  
TX=1CT : 1.41      RX=1CT : 1CT
- Insertion Loss:  
1~10MHz: -1.15dB Max
- Return Loss:  
5~10MHz: -17dB Typ
- Crosstalk:  
1~10MHz: -30dB Min
- Attenuation: 20/25/30/40MHz  
(TX: -5/-18/-28/-33dB Max);  
(RX: -4.2/-11/-16/-26dB Max)
- Common Mode Rejection:  
30~100MHz: -30dB Min
- Isolation Voltage: 1200Vrms
- Operating Temperature: 0°C ~ 70°C.

GREEN/LEFT LED



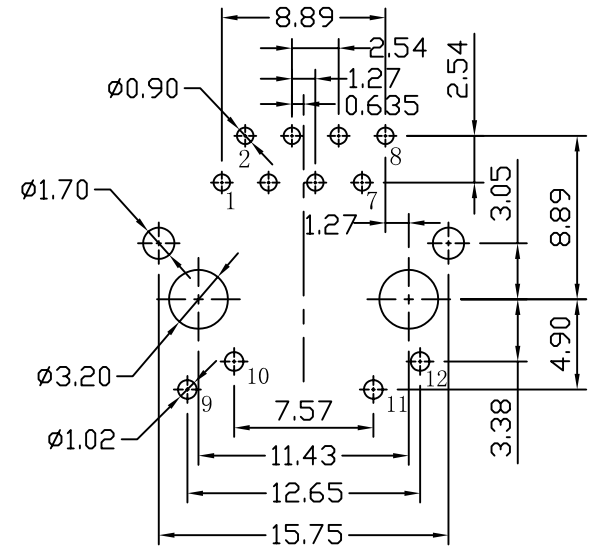
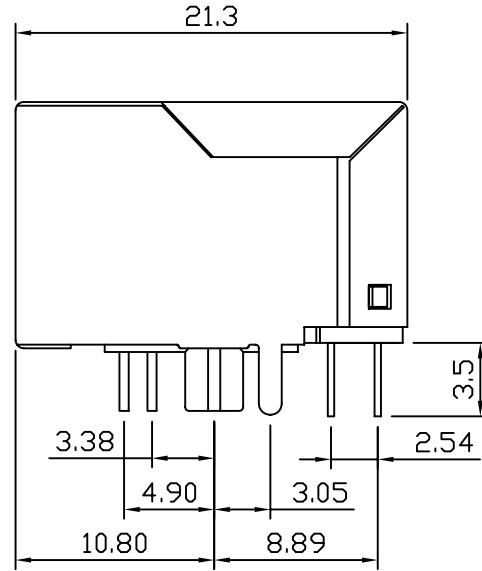
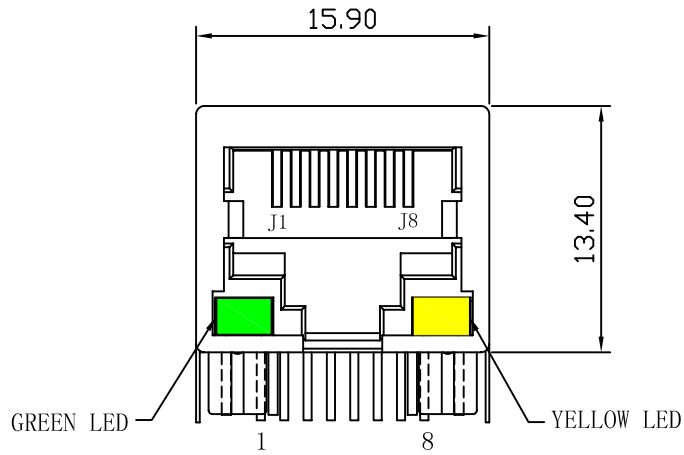
YELLOW/RIGHT LED



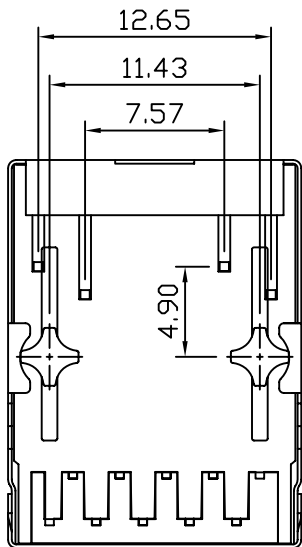
X:X ±0.25	APPD:	LINK-PP INT'L TECHNOLOGY CO., LIMITED		
X:XX ±0.20	CHKD:	TITLE: RJ45 Connector with 10 Base-T Integrated Magnetics		
X:XXX ±0.05	DR: TOM	PART NO. : LPJ0211BBNL		
ANGLES ±1°	UNIT: mm			
	SCALE: 2/1	SHEET: 1/2	REV: A	DWG NO. : LP11051501

Mechanical:

REV.	ECN NO.	DESCRIPTION	DATE	APPD
A	REL		2011/05/15	



SUGGESTED PCB LAYOUT (TOP VIEW)



NOTES:

1. Designed to support application, such as SOHO (ADSL modems), LAN-on-Motherboard (LOM), hub and Switches.
2. Meets IEEE 802.3 specification
3. Connector Materials:  
 Housing: Thermoplastic UL94V-0  
 Contact/Shield: Copper alloy  
 Shield plating: Nickel  
 Contact plating: Gold 6 micro-inches min. In contact area.
4. Wave solder tip temperature: 265°C Max  
 Wave solder tip temperature time: 5 Sec Max



X:X ±0.25	APPD:	LINK-PP INT'L TECHNOLOGY CO., LIMITED
X:XX ±0.20	CHKD:	
X:XXX ±0.05	DR: TOM	TITLE: RJ45 Connector with 10 Base-T Integrated Magnetics
ANGLES ±1°	UNIT: mm	PART NO.: LPJ0211BBNL
	SCALE: 2/1	SHEET: 2/2
	REV: A	DWG NO.: LP11051501