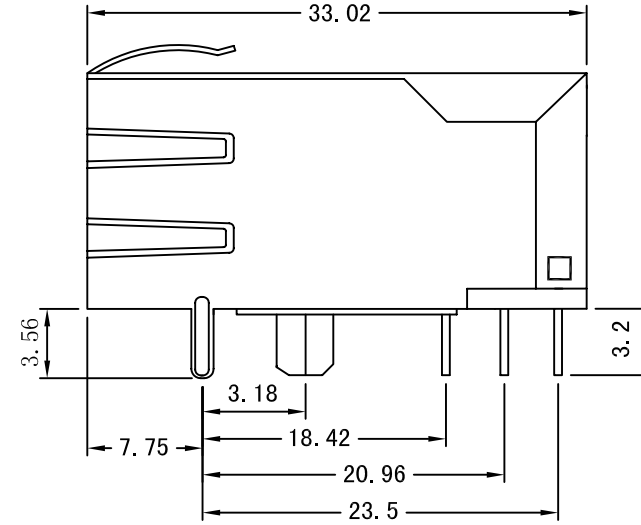
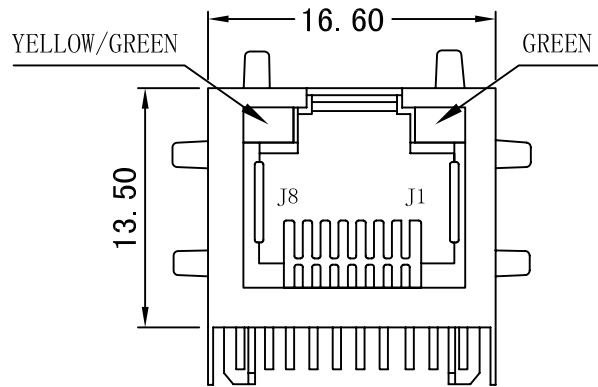


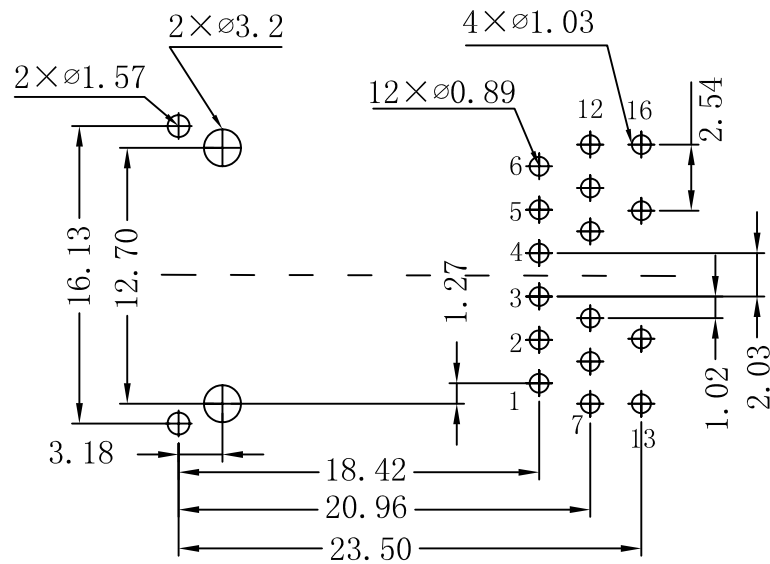
Mechanical:

REV.	ECN NO.	DESCRIPTION	DATE	APPD
A	REL		2010/06/19	



NOTES:

1. Designed to support application, such as SOHO (ADSL modems), LAN-on-Motherboard (LOM), hub and Switches.
2. Meets IEEE 802.3 specification
3. Connector Materials:
 Housing: Thermoplastic UL94V-0
 Contact/Shield: Copper alloy
 Shield plating: Nickel
 Contact plating: Gold 6 micro-inches min. In contact area.
4. Wave solder tip temperature: 265°C Max
 Wave solder tip temperature time: 5 Sec Max



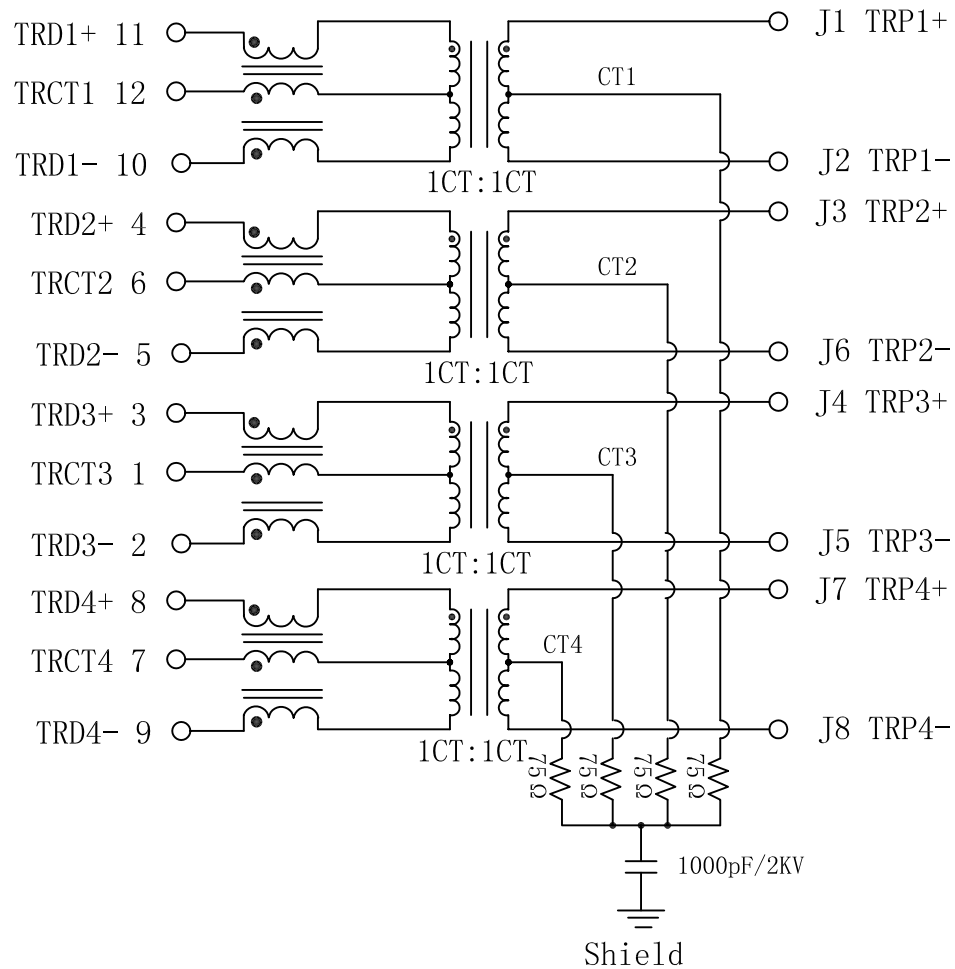
SUGGESTED PCB LAYOUT (TOP VIEW)



X:X	±0.20	APPD:	LINK-PP INT'L TECHNOLOGY CO., LIMITED	
X:XX	±0.10	CHKD:	Title: RJ45 Connector with 1000Base-TX Integrated Magnetic	
X:XXX	±0.05	DR: TOM	PART NO.: LPJK0036AINL	
ANGLES	±1°	UNIT: mm		
	SCALE: 2/1	SHEET: 1/2	REV: A	DWG NO.:

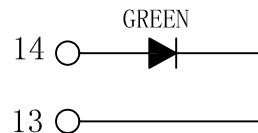
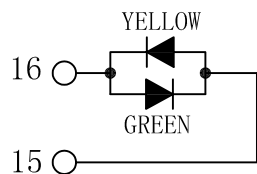
Schematic:

REV.	ECN NO.	DESCRIPTION	DATE	APPD
A	REL		2010/06/19	



Electrical Specifications @25°C

- Turns Ratio ($\pm 2\%$):
TX=1CT:1CT RX=1CT:1CT
- 350uH min OCL with 8mA bias current.
- Insertion Loss:
1-100MHz:-1.0dB MAX
- Return Loss (dB MIN):
1-10MHz:-20; 30MHz:-16
60-80MHz:-12 80-100MHz:-10
- Crosstalk (dB MIN):
1-10MHz:-40; 32-65MHz:-35
65-100MHz:-30
- CMR (dB MIN):
1-125MHz:-30; 125-500MHz:-20
- HI-POT:1500V
- Operating Temperature: 0°C~70°C.



X:X	± 0.20	APPD:	LINK-PP INT'L TECHNOLOGY CO., LIMITED
X:XX	± 0.10	CHKD:	
X:XXX	± 0.05	DR: TOM	Title: RJ45 Connector with 1000Base-TX Integrated Magnetic
ANGLES	$\pm 1^\circ$	UNIT: mm	PART NO.: LPJK0036AINL
	SCALE: 2/1	SHEET: 2/2	REV: A DWG NO.: