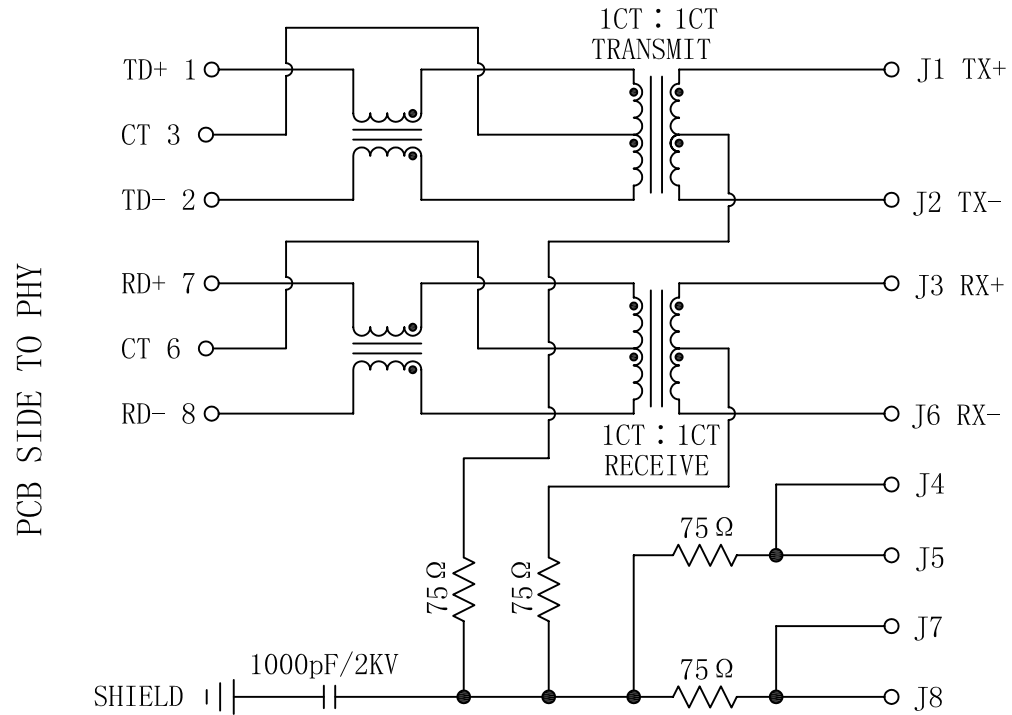


Schematic:

REV.	ECN NO.	DESCRIPTION	DATE	APPD
A	REL		11/11/2009	

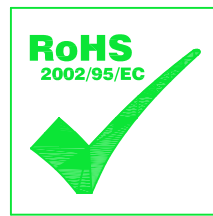
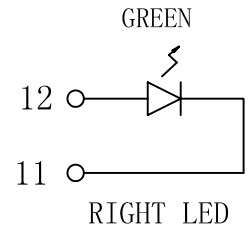
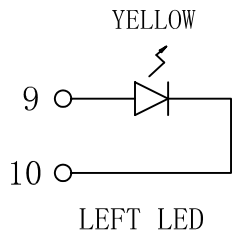


PCB SIDE TO PHY

CABLE SIDE

Electrical Specifications @25°C

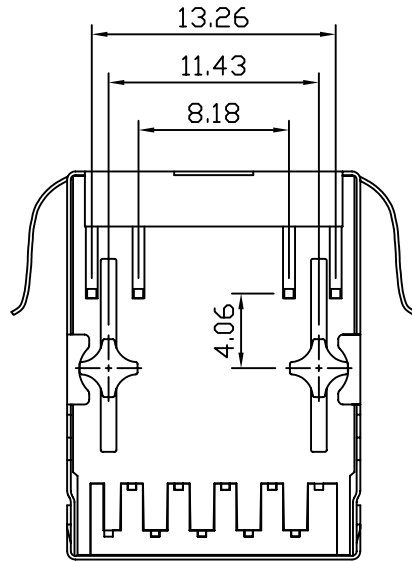
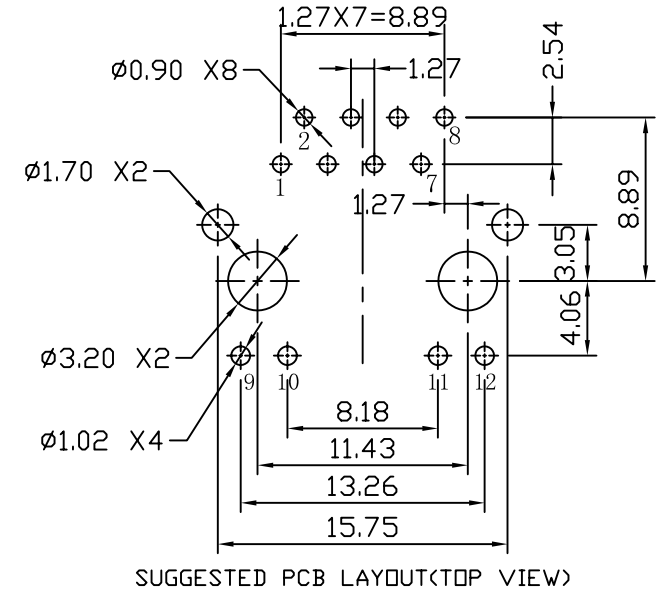
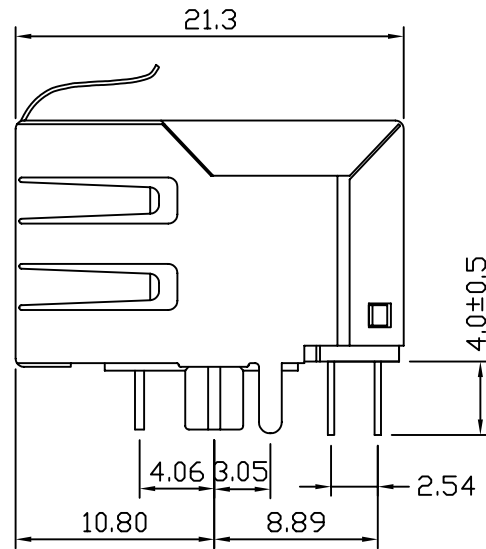
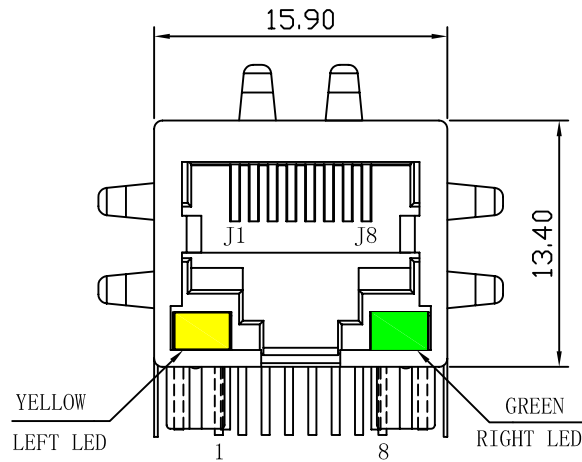
- Turns Ratio ($\pm 2\%$):
TX=1CT : 1CT RX=1CT : 1CT
- Inductance: 350uH Min
@ 100KHz, 100mVrms, 8mA DC Bias
- Insertion Loss:
0.3-100MHz: -1.15dB Max
- Return Loss (dB Min):
30MHz: -16 40MHz: -14
50MHz: -13.5 60MHz: -13
80MHz: -10
- Crosstalk:
0.3-80MHz: -35dB Min
- Differential to Common Mode Rejection:
0.3-100MHz: -30dB Min
- Hipot: 1500Vrms Min
- Operating Temperature 0°C ~ 70°C.



X:X	± 0.25	APPD:	LINK-PP INT'L TECHNOLOGY CO., LIMITED	
X:XX	± 0.10	CHKD:	TITLE: RJ45 Connector with 10/100 Base-TX Integrated Magnetics	
X:XXX	± 0.05	DR: TOM	PART NO.: LPJ0084GANL	
ANGLES	$\pm 1^\circ$	UNIT: mm		
	SCALE: 2/1	SHEET: 1/2	REV: A	DWG NO.: LP09111112

Mechanical:

REV.	ECN NO.	DESCRIPTION	DATE	APPD
A	REL		11/11/2009	



NOTES:

1. Designed to support application, such as SOHO (ADSL modems), LAN-on-Motherboard (LOM), hub and Switches.
2. Meets IEEE 802.3 specification
3. Connector Materials:
 Housing: Thermoplastic UL94V-0
 Contact/Shield: Copper alloy
 Shield plating: Nickel
 Contact plating: Gold 6 micro-inches min. In contact area.
4. Wave solder tip temperature: 265°C Max
 Wave solder tip temperature time: 5 Sec Max



X:X ±0.25	APPD:	LINK-PP INT'L TECHNOLOGY CO., LIMITED
X:XX ±0.10	CHKD:	
X:XXX ±0.05	DR: TOM	TITLE: RJ45 Connector with 10/100 Base-TX Integrated Magnetics
ANGLES ±1°	UNIT: mm	PART NO.: LPJ0084GANL
	SCALE: 2/1	SHEET: 2/2
	REV: A	DWG NO.: LP09111112