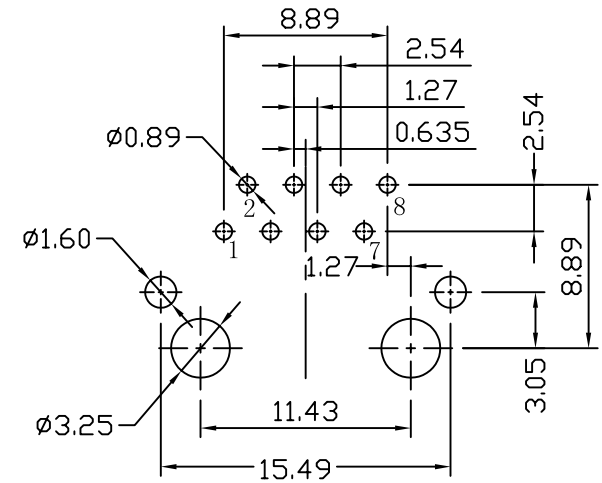
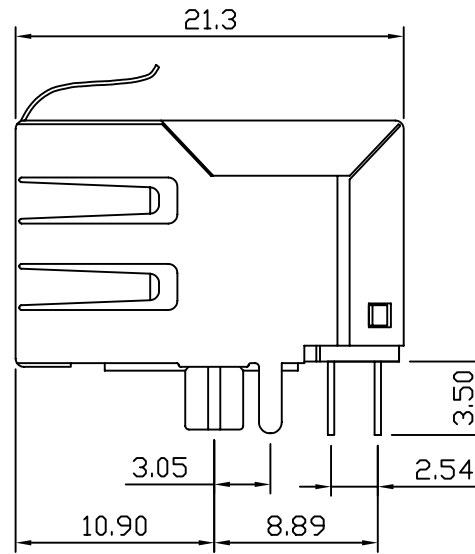
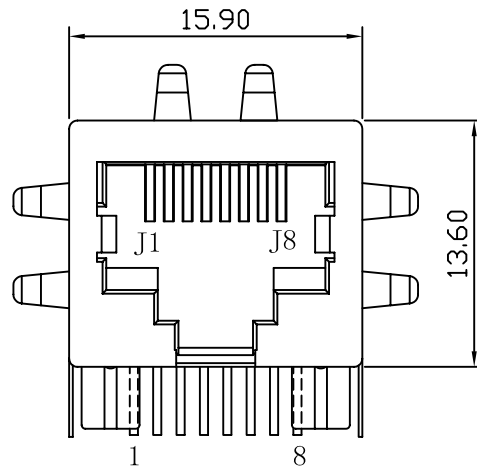
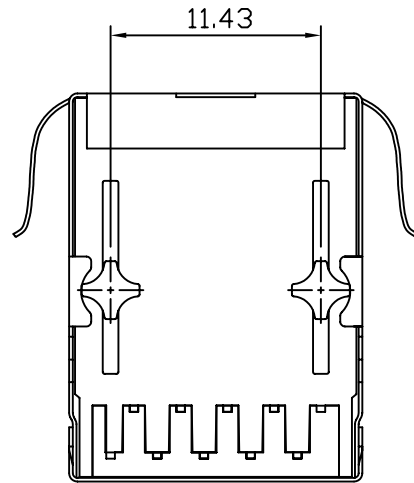


Mechanical:

REV.	ECN NO.	DESCRIPTION	DATE	APPD
A	REL		22/10/2008	



SUGGESTED PCB LAYOUT (TOP VIEW)



NOTES:

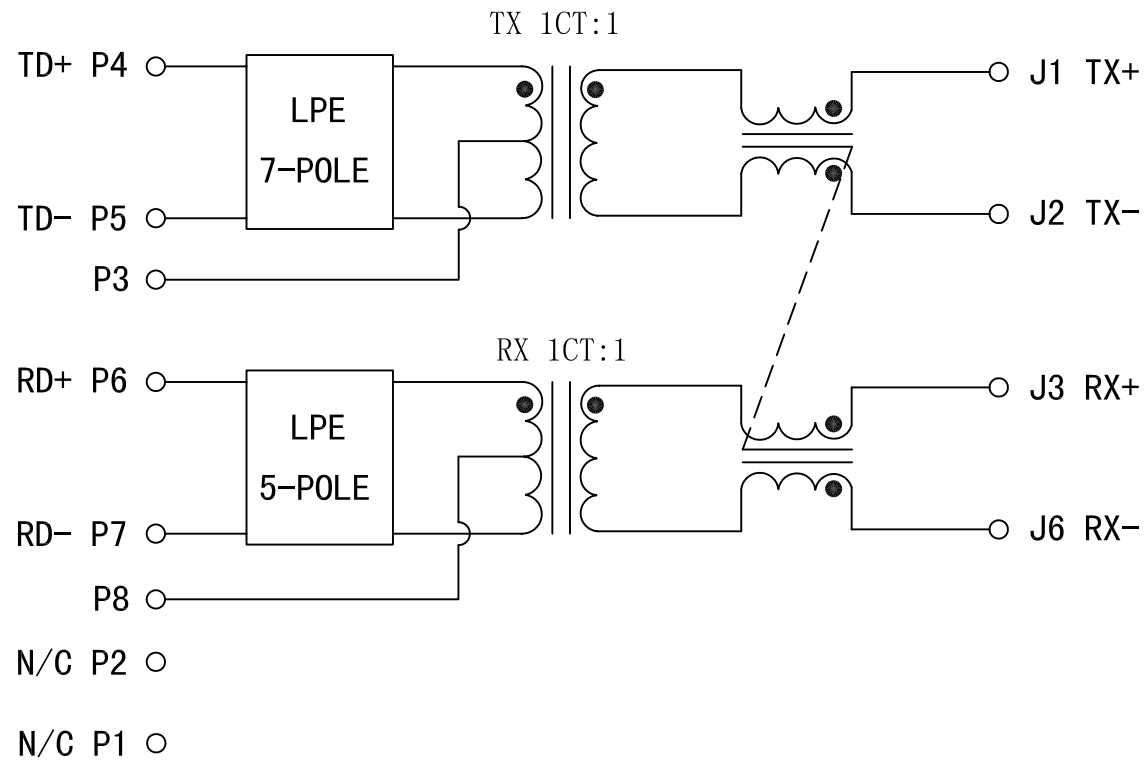
1. Designed to support application, such as SOHO (ADSL modems), LAN-on-Motherboard (LOM), hub and Switches.
2. Meets IEEE 802.3 specification
3. Connector Materials:
 Housing: Thermoplastic UL94V-0
 Contact/Shield: Copper alloy
 Shield plating: Nickel
 Contact plating: Gold 6 micro-inches min. In contact area.
4. Wave solder tip temperature: 265°C Max
 Wave solder tip temperature time: 5 Sec Max



X:X	±0.25	APPD:	LINK-PP INT'L TECHNOLOGY CO., LIMITED	
X:XX	±0.10	CHKD:		
X:XXX	±0.05	DR: TOM	TITLE: RJ45 Connector with 10 BASE-T Integrated Magnetics	
ANGLES	±1°	UNIT: mm	PART NO.:	LPJ0215CNL
	SCALE: 2/1	SHEET: 1/2	REV: A	DWG NO.: LP08102201

Schematic:

REV.	ECN NO.	DESCRIPTION	DATE	APPD
A	REL		22/10/2008	



Electrical Specifications: @25°C

- Turns Ratio:
TX=1CT:1 RX=1CT:1
- Return Loss:
5-10MHz:-15dB MIN
- Crosstalk:
1-10MHz:-30dB MIN
- Insertion Loss:
5-10MHz:-1dB MAX
- Attenuation: @30MHz
TX:-30dB MIN
RX:-18dB MIN
- Impedance:
TX: 100Ω RX:100Ω
- Isolation Voltage: 1500Vrms
- Operating Temp: 0~70°C.



X:X	±0.25	APPD:	LINK-PP INT'L TECHNOLOGY CO., LIMITED	
X:XX	±0.10	CHKD:	TITLE: RJ45 Connector with 10 BASE-T Integrated Magnetics	
X:XXX	±0.05	DR: TOM	PART NO.: LPJ0215CNL	
ANGLES	±1°	UNIT: mm	DWG NO.: LP08102201	
	SCALE: 2/1	SHEET: 2/2	REV: A	