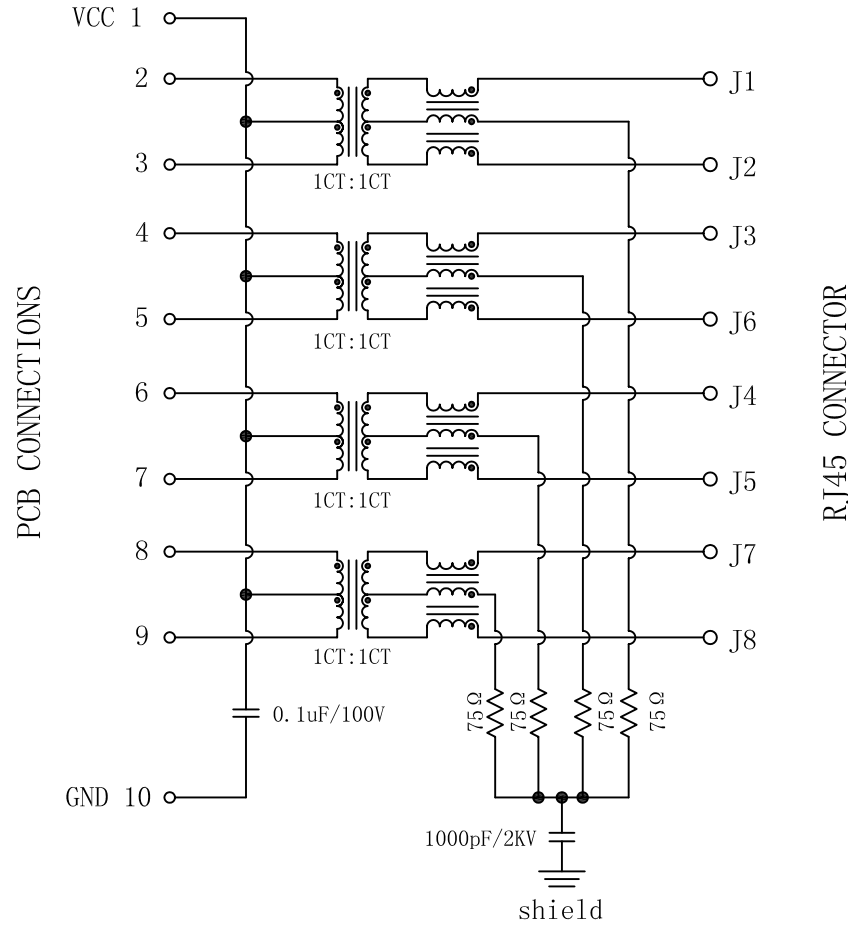


Schematic:

REV.	ECN NO.	DESCRIPTION	DATE	APPD
A	REL		2007/12/20	



ELECTRICAL SPECIFICATIONS @25°C

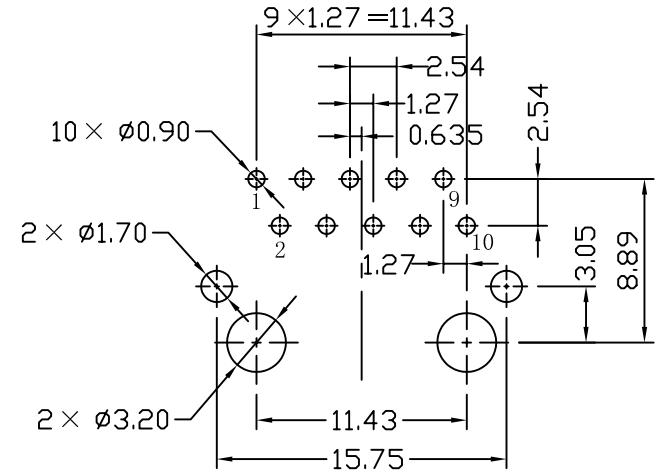
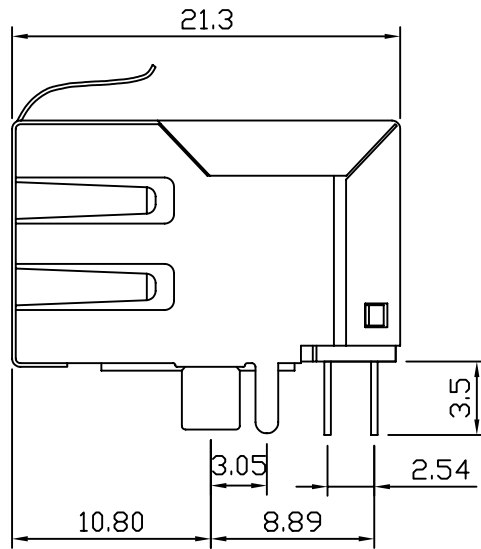
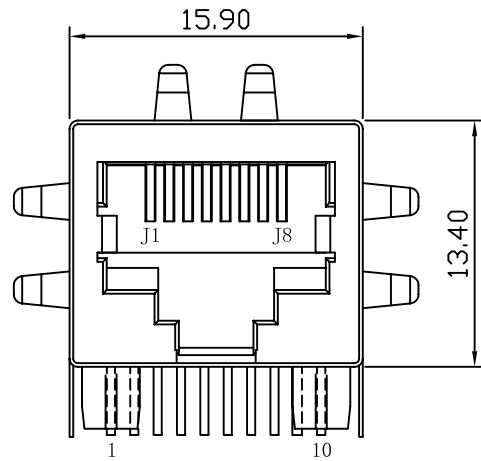
- Turn Ratio ($\pm 2\%$):
TX=1CT:1CT RX=1CT:1CT
- Inductance OCL: 350uH MIN
@100KHz/0.1V, 8mA DC Bias
- Insertion Loss:
-1.2dB MAX @ 100KHz
-1.4dB MAX @1-125MHz
- Return Loss:
-18dB MIN @ 0.1-40MHz
-[12+20×LOG(f/80MHz)]dB MIN @40-100MHz
- Cross talk:
-40dB MIN @ 1MHz
-[40+10×LOG(f/10)]dB MIN @ 10-100MHz
- CMRR:
-50dB MIN @ 2MHz
-[15+20×LOG(f/200)]dB MIN @ 30-200MHz
- DCR: 0.65 Ohms MAX Each (1/2 winding)
- ISOLATION: 1500Vac (Input-Output)
- OPERATING TEMPERATURE RANGE: -40°C TO +85°C



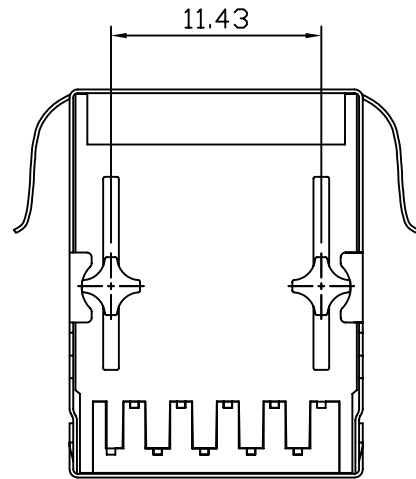
X:X	±0.30	APPD:	LINK-PP INT'L TECHNOLOGY CO., LIMITED	
X:XX	±0.20	CHKD:	TITLE: RJ45 Connector with 1000 Base-T Integrated Magnetics	
X:XXX	±0.05	DR: TOM		
ANGLES	±1°	UNIT: mm	PART NO.: LPJG4822CNL	
	SCALE: 2/1	SHEET: 1/2	REV: A	DWG NO.: LP07122008

Mechanical:

REV.	ECN NO.	DESCRIPTION	DATE	APPD
A	REL		2007/12/20	

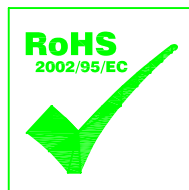


SUGGESTED PCB LAYOUT (TOP VIEW)



NOTES:

1. Designed to support application, such as SOHO (ADSL modems), LAN-on-Motherboard (LOM), hub and Switches.
2. Meets IEEE 802.3 specification
3. Connector Materials:
 Housing: Thermoplastic UL94V-0
 Contact/Shield: Copper alloy
 Shield plating: Nickel
 Contact plating: Gold 6 micro-inches min. In contact area.
4. Wave solder tip temperature: 265°C Max
 Wave solder tip temperature time: 5 Sec Max



X:X ±0.30	APPD:	LINK-PP INT'L TECHNOLOGY CO., LIMITED
X:XX ±0.20	CHKD:	
X:XXX ±0.05	DR: TOM	TITLE: RJ45 Connector with 1000 Base-T Integrated Magnetics
ANGLES ±1°	UNIT: mm	PART NO.: LPJG4822CNL
	SCALE: 2/1	SHEET: 2/2
	REV: A	DWG NO.: LP07122008