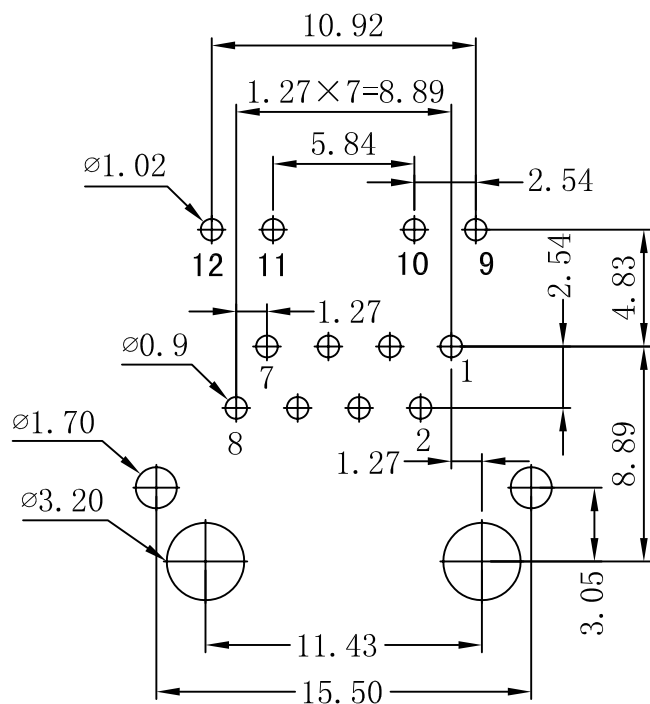
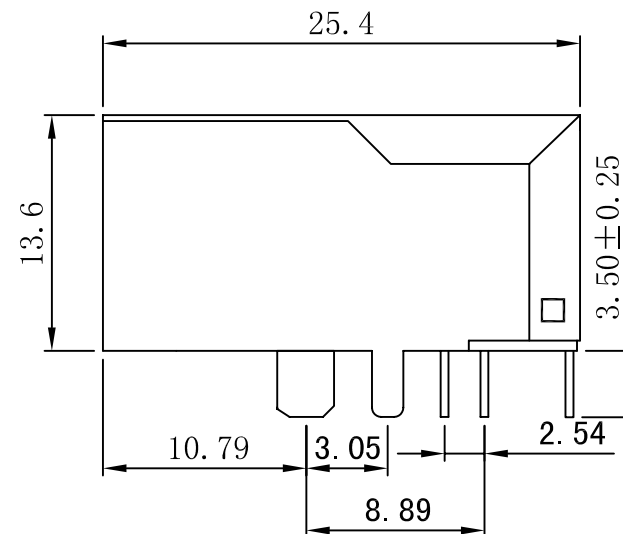
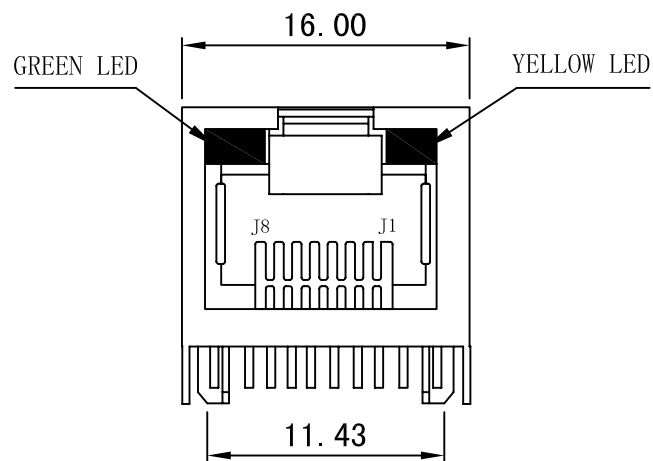


# Mechanical :

REV.	ECN NO.	DESCRIPTION	DATE	APPD
A	REL		10/05/2008	



SUGGESTED PCB LAYOUT (TOP VIEW)

## NOTES:

1. Designed to support application, such as SOHO (ADSL modems), LAN-on-Motherboard (LOM), hub and Switches.
2. Meets IEEE 802.3 specification
3. Connector Materials:  
Housing: Thermoplastic UL94V-0  
Contact/Shield: Copper alloy  
Shield plating: Nickel  
Contact plating: Gold 6 micro-inches min. In contact area.
4. Wave solder tip temperature: 260°C  
Wave solder tip temperature time: 5 Sec Max

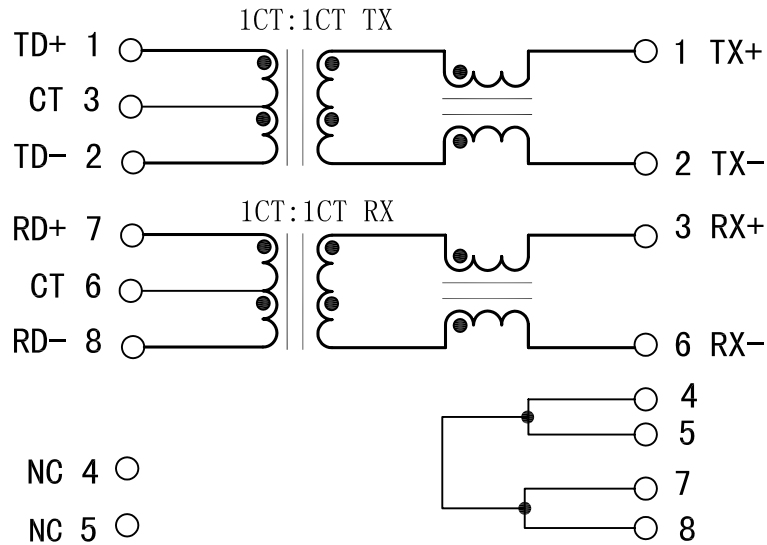


X:X	±0.20	APPD:	LINK-PP INT'L TECHNOLOGY CO., LIMITED	
X:XX	±0.10	CHKD:	Title: RJ45 Connector With 10/100 Base-TX Integrated Magnetic	
X:XXX	±0.05	DR: TOM		
ANGLES	±1°	UNIT: mm	PART NO.: LPJ1006BBNL	
	SCALE: 2/1	SHEET: 1/2	REV: A	DWG NO.:

# Schematic:

REV.	ECN NO.	DESCRIPTION	DATE	APPD
A	REL		10/05/2008	

PC BOARD CONNECTIONS



RJ45 CONNECTOR

## Electrical Specification @25°C

- OCL: 350uH MIN  
@100KHz, 0.1Vrms, 8mADC BIAS
- Turns Ratio ( $\pm 2\%$ ):  
TX=1CT:1      RX=1CT:1
- Return Loss (dB Min):  
1-10MHz: -20      10-30MHz: -16  
30-60MHz: -12      60-80MHz: -10
- Crosstalk (dB Min):  
1-30MHz: -40      30-60MHz: -35  
60-100MHz: -30
- Insertion Loss:  
1-65MHz: -1.2dB Max
- CMR (dB Min):  
1-50MHz: -30      50-150MHz: -20
- Isolation Voltage: 1500V
- Operating Temperature: 0~70°C

GREEN/LEFT LED



YELLOW/RIGHT LED



X:X	$\pm 0.20$	APPD:	LINK-PP INT'L TECHNOLOGY CO., LIMITED	
X:XX	$\pm 0.10$	CHKD:	<i>Title:</i> RJ45 Connector With 10/100 Base-TX Integrated Magnetic	
X:XXX	$\pm 0.05$	DR: TOM		
ANGLES	$\pm 1^\circ$	UNIT: mm	PART NO.: LPJ1006BBNL	
	SCALE: 2/1	SHEET: 2/2	REV: A	DWG NO.: