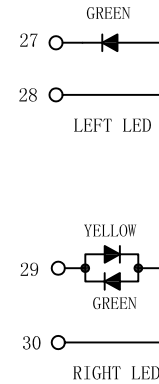
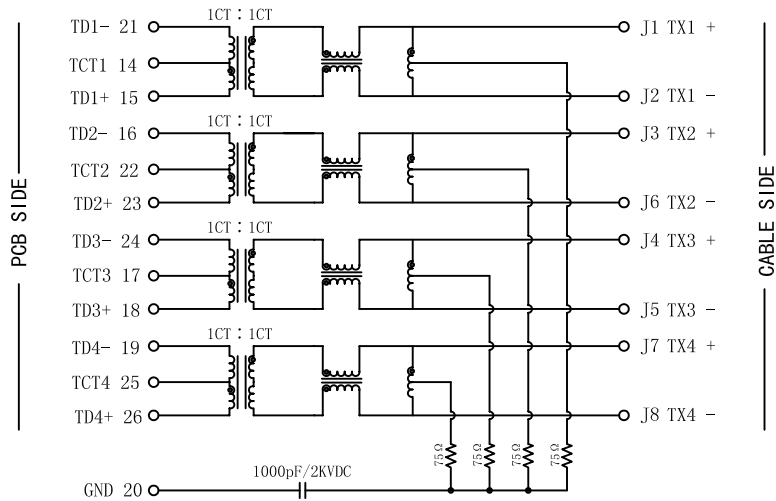


Schematic:

REV.	ECN NO.	DESCRIPTION	DATE	APPD
A	REL		2011/12/14	

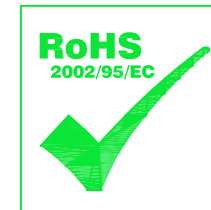
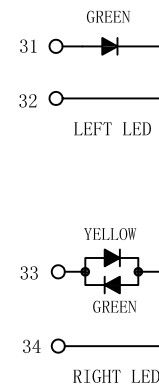
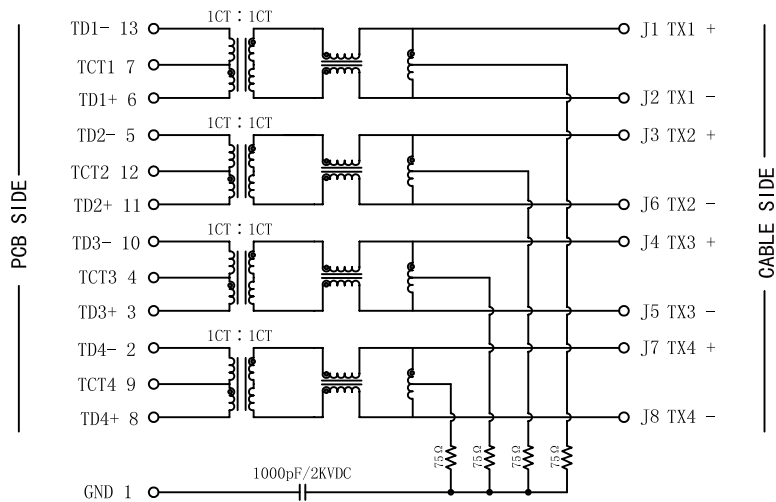
SCHEMATIC FOR LOWER PORT:



Electrical Specifications @25°C

1. OCL (@100KHz, 100mV, 8mA DC Bias):
350uH min
2. Turns Ratio: 1CT : 1CT ±2%
3. Insertion Loss:
0.1~100MHz: -1.1dB Max
4. Return Loss (dB Min):
1~30MHz: -18
30~60MHz: -16
60~80MHz: -14
80~100MHz: -12
5. Crosstalk (dB Typ):
1~60MHz: -35
60~100MHz: -25
6. Common To Common Mode Rejection:
0.1~100MHz: -25dB Typ
7. Hipot: 1500Vrms
8. Operating Temperature: 0°C ~ 70°C.

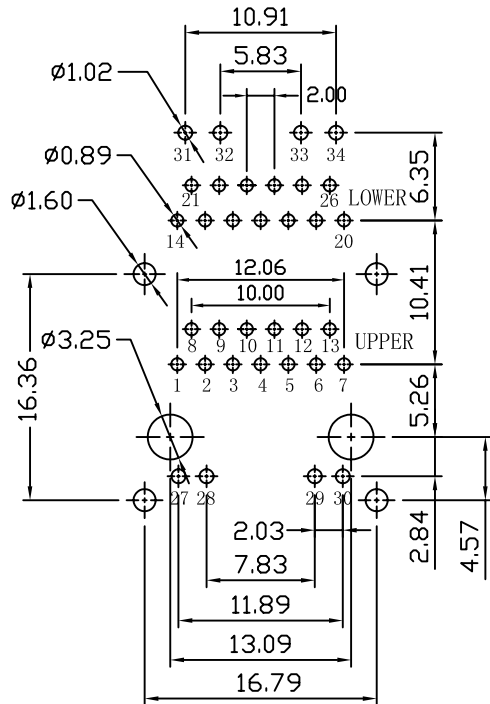
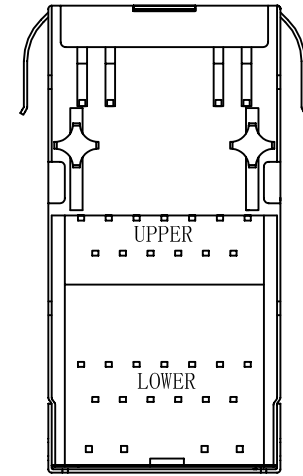
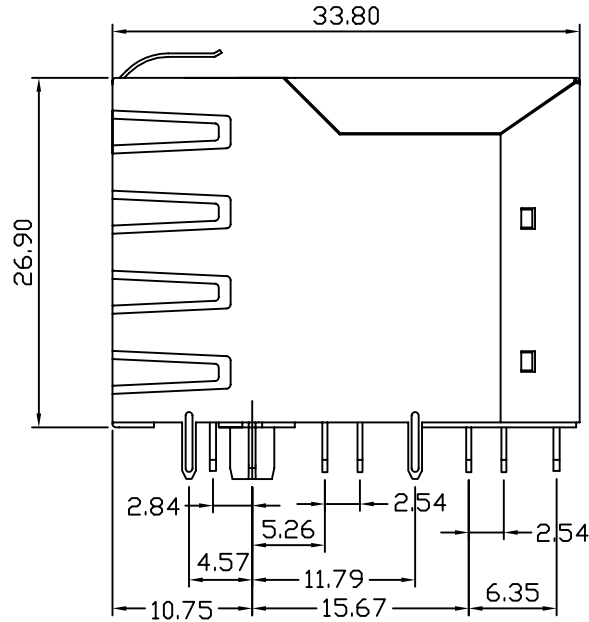
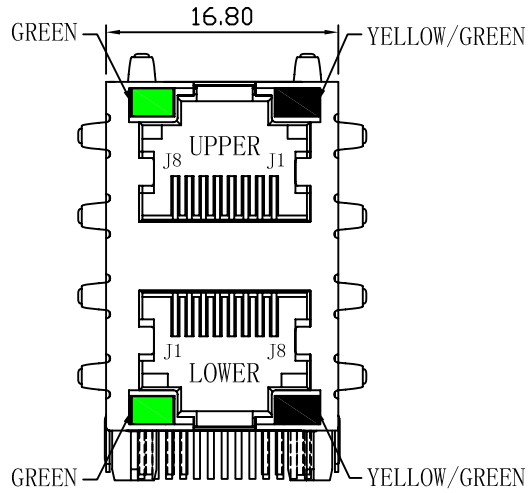
SCHEMATIC FOR UPPER PORT:



X:X ±0.30	APPD:	LINK-PP INT'L TECHNOLOGY CO., LIMITED		
X:XX ±0.20	CHKD:	TITLE: RJ45 Connector With 1000 Base-T Integrated Magnetics		
X:XXX ±0.05	DR: TOM	PART NO. : LPJG17102NL		
ANGLES ±1°	UNIT: mm			
	SCALE: 2/1	SHEET: 1/2	REV: A	DWG NO. : LP11121401

Mechanical:

REV.	ECN NO.	DESCRIPTION	DATE	APPD
A	REL		2011/12/14	



PIN-OUT INFORMATION
(COMPONENT SIDE VIEW)



NOTES:

1. Designed to support application, such as SOHO (ADSL modems), LAN-on-Motherboard (LOM), hub and Switches.
2. Meets IEEE 802.3 specification
3. Connector Materials:
 Housing: Thermoplastic UL94V-0
 Contact/Shield: Copper alloy
 Shield plating: Nickel
 Contact plating: Gold 6 micro-inches min. In contact area.
4. Wave solder tip temperature: 265°C Max
 Wave solder tip temperature time: 5 Sec Max

X:X ±0.30	APPD:	LINK-PP INT'L TECHNOLOGY CO., LIMITED
X:XX ±0.20	CHKD:	
X:XXX ±0.05	DR: TOM	TITLE: RJ45 Connector With 1000 Base-T Integrated Magnetics
ANGLES ±1°	UNIT: mm	PART NO.: LPJG17102NL
	SCALE: 2/1	SHEET: 2/2
	REV: A	DWG NO.: LP11121401