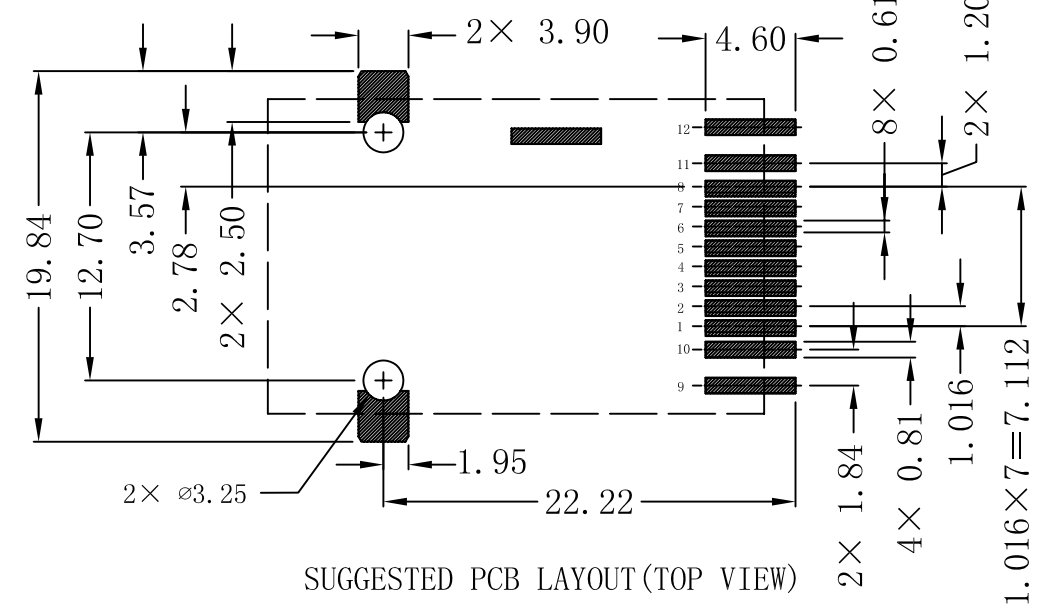
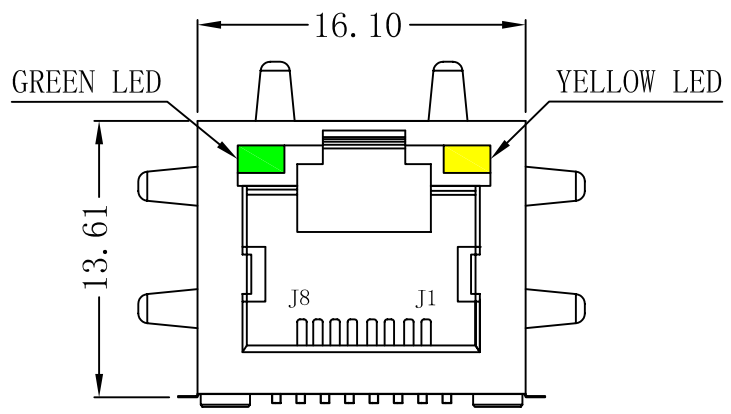
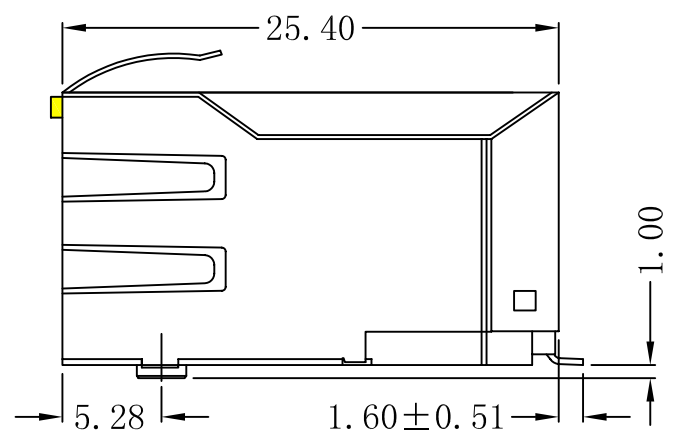
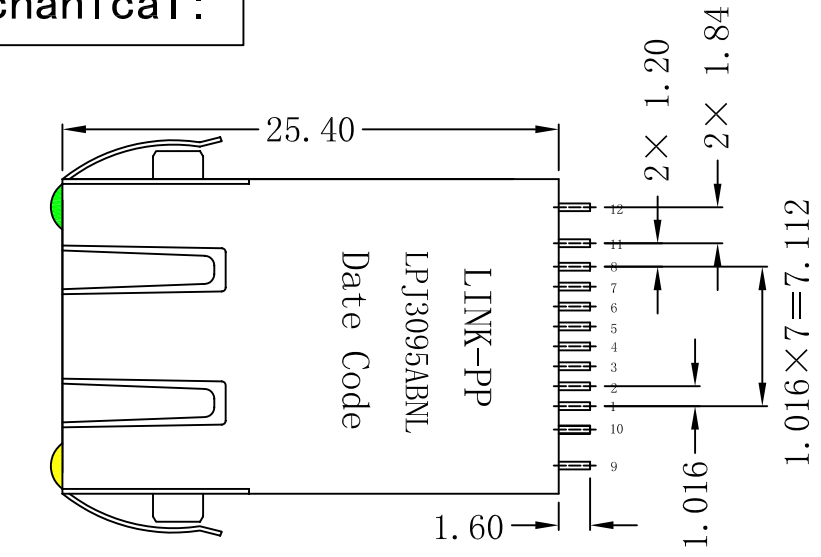


# Mechanical :

REV.	ECN NO.	DESCRIPTION	DATE	APPD
A	REL		2010/06/21	



SUGGESTED PCB LAYOUT (TOP VIEW)

## NOTES :

1. Designed to support application, such as SOHO (ADSL modems), LAN-on-Motherboard (LOM), hub and Switches.
2. Meets IEEE 802.3 specification
3. Connector Materials:  
 Housing: Thermoplastic UL94V-0  
 Contact/Shield: Copper alloy  
 Shield plating: Nickel  
 Contact plating: Gold 6 micro-inches min. In contact area.
4. Wave solder tip temperature: 265°C Max  
 Wave solder tip temperature time: 5 Sec Max

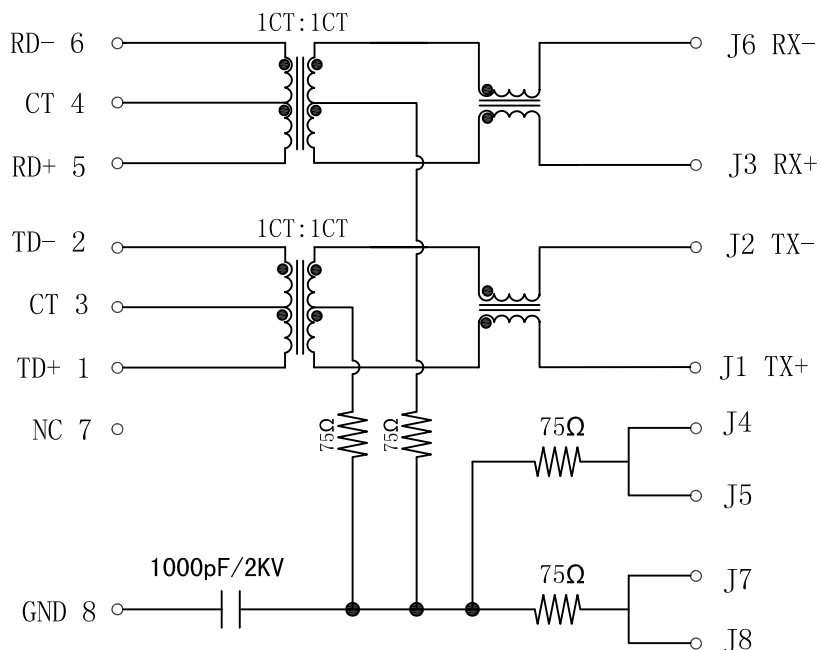


X:X	±0.20	APPD:	LINK-PP INT'L TECHNOLOGY CO., LIMITED
X:XX	±0.10	CHKD:	
X:XXX	±0.05	DR: TOM	<i>Title:</i> Surface Mount 1x1 Tab-Up Jack With 10/100 Magnetic SMT
ANGLES	±1°	UNIT: mm	PART NO.: LPJ3095ABNL
	SCALE: 2/1	SHEET: 1/2	REV: A
		DWG NO.: LP10062104	

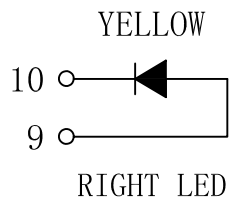
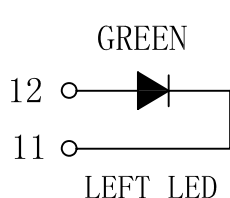
# Schematic:

REV.	ECN NO.	DESCRIPTION	DATE	APPD
A	REL		2010/06/21	

PC BOARD CONNECTIONS



RJ45 CONNECTOR



## Electrical Specifications @25°C

- Turns Ratio ( $\pm 2\%$ ) :  
TX=1CT:1      RX=1CT:1CT
- 0CL:  
350uH Min with 8mA bias current
- Return Loss(dB Min @100  $\Omega$   $\pm 15 \Omega$ ) :  
1-10MHz:-20      30MHz:-16  
60-80MHz:-12
- Crosstalk(dB Min):  
1-10MHz:-40      30-60MHz:-35  
60-100MHz:-30
- Insertion Loss:  
1-65MHz:-1.0dB Max
- Common Mode Rejection(dB Min):  
1-50MHz:-30      50-130MHz:-20
- Isolation Voltage: 1500Vrms Min
- Operating Temperature: 0~70°C



X:X	$\pm 0.20$	APPD:	LINK-PP INT'L TECHNOLOGY CO., LIMITED	
X:XX	$\pm 0.10$	CHKD:	<i>Title:</i> Surface Mount 1×1 Tab-Up Jack With 10/100 Magnetic SMT	
X:XXX	$\pm 0.05$	DR: TOM		
ANGLES	$\pm 1^\circ$	UNIT: mm	PART NO.:	LPJ3095ABNL
	SCALE: 2/1	SHEET: 2/2	REV: A	DWG NO.: LP10062104