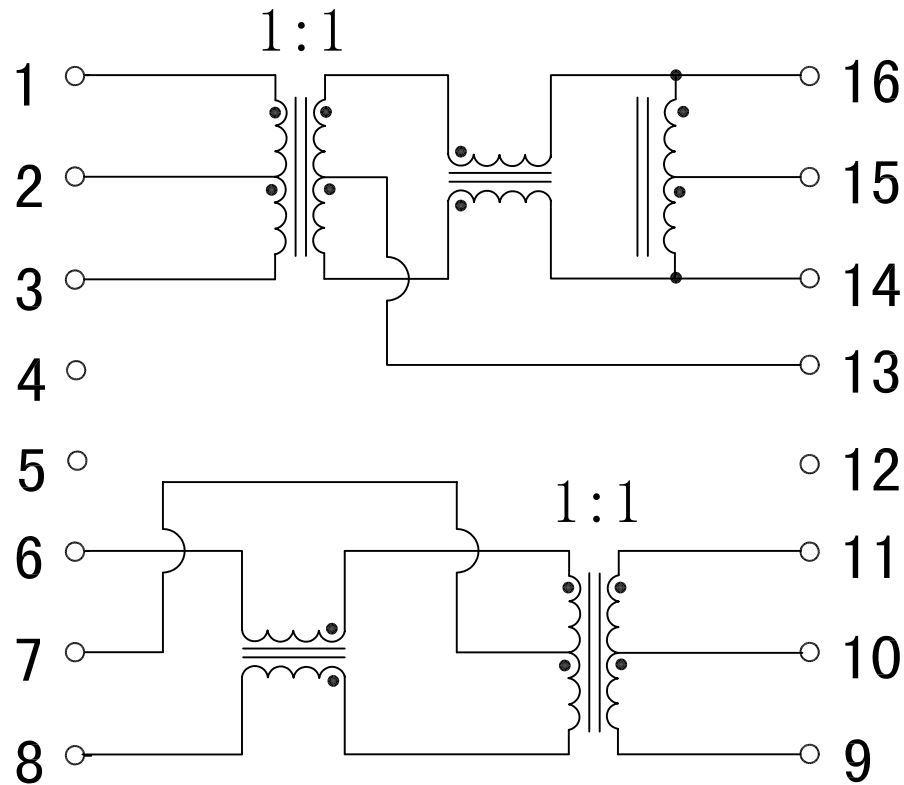


# Schematic:

REV.	ECN NO.	DESCRIPTION	DATE	APPD
A	REL		09/06/2009	



## Electrical Specifications @25°C:

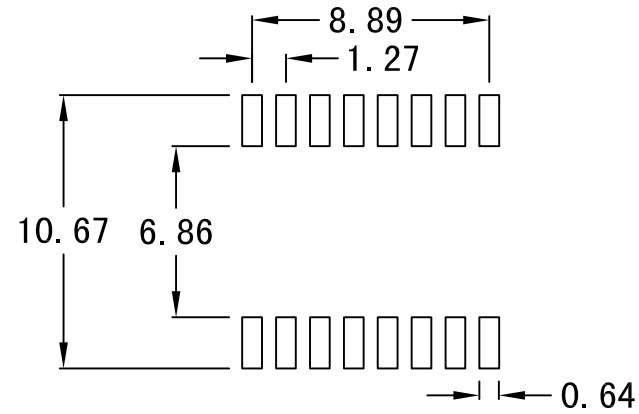
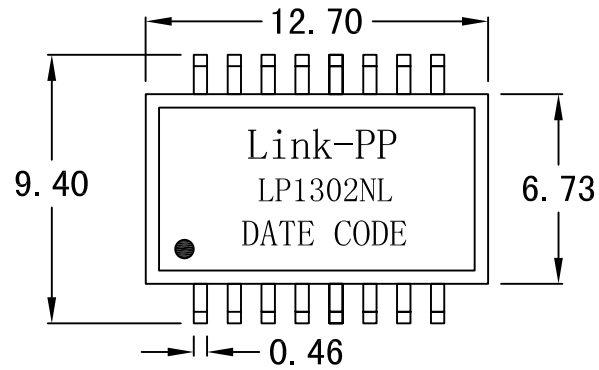
- Turns Ratio:  
TX=1CT:1CT RX=1CT:1CT
- Insertion Loss:  
0.1-100MHz:-1.1dB MAX
- Return Loss (dB TYP):  
30MHz:-16 60MHz:-10  
80MHz:-10
- Crosstalk (dB TYP):  
30MHz:-35 60MHz:-30  
100MHz:-30
- DCMR (dB TYP):  
30MHz:-42 50MHz:-37  
100MHz:-32
- Hipot:1500Vrms MIN
- Operating Temperature:0~70°C



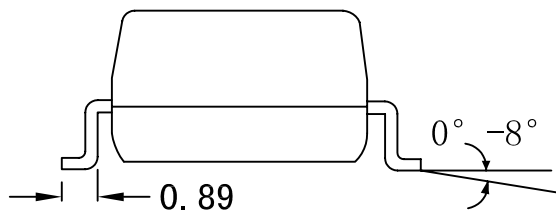
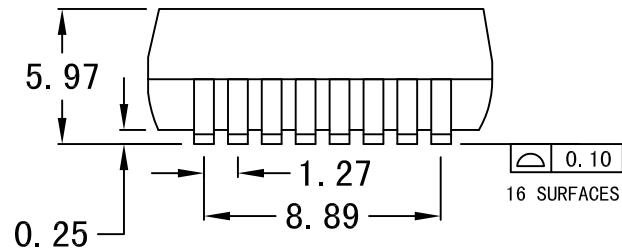
X:X	±0.20	APPD:	LINK-PP INT'L TECHNOLOGY CO., LIMITED	
X:XX	±0.10	CHKD:	Title: 10/100Base-T Single Port Transformer Modules	
X:XXX	±0.05	DR: TOM		
ANGLES	±1°	UNIT: mm	PART NO.:	LP1302NL
	SCALE: 2/1	SHEET: 1/2	REV: A	DWG NO.: LP09060908

# Mechanical:

REV.	ECN NO.	DESCRIPTION	DATE	APPD
A	REL		09/06/2009	



SUGGESTED PAD LAYOUT



## NOTES:

1. Designed to support application, such as SOHO (ADSL modems), LAN-on-Motherboard (LOM), hub and Switches.
2. With various Turns Ratios.
3. 350uH min OCL with 8mA bias .
4. RoHS "NL" peak solder rating  $255 \pm 5^{\circ}\text{C}$ .



X:X	$\pm 0.20$	APPD:	LINK-PP INT'L TECHNOLOGY CO., LIMITED	
X:XX	$\pm 0.10$	CHKD:	Title: 10/100Base-T Single Port Transformer Modules	
X:XXX	$\pm 0.05$	DR: TOM	PART NO. : LP1302NL	
ANGLES	$\pm 1^{\circ}$	UNIT: mm		
	SCALE: 2/1	SHEET: 2/2	REV: A	DWG NO. : LP09060908