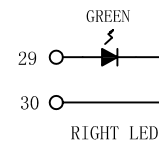
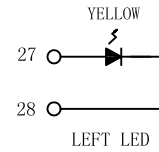
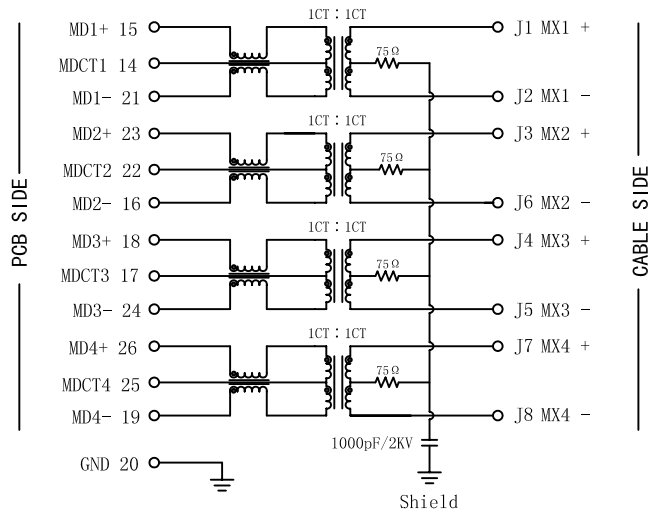


# Schematic:

REV.	ECN NO.	DESCRIPTION	DATE	APPD
A	REL		2012/03/21	

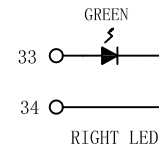
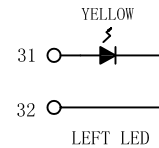
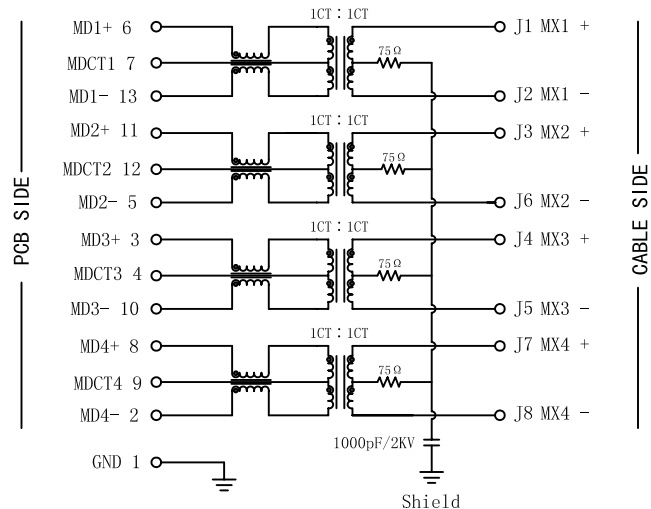
SCHEMATIC FOR LOWER PORT:



## Electrical Specifications @25°C

1. OCL(@100KHz, 100mV, 8mA DC Bias):  
350uH min
2. Turns Ratio(100KHz, 0.1V):  
TX=1CT : 1CT      RX=1CT : 1CT
3. Insertion Loss:  
0.3~100MHz:-0.8dB Max  
100~120MHz:-1.2dB Max
4. Return Loss(dB Min):  
0.5~40MHz:-18  
40~100MHz:-[12+20Log(f/80MHz)]
5. Crosstalk(dB Min):  
0.1~100MHz:-[33+20Log(f/100MHz)]
6. Common To Differential Mode Rejection:  
0.3~100MHz:-35dB Min
7. Common To Common Mode Rejection:  
0.3~100MHz:-30dB Min
8. Hi-Pot: 1500Vrms @60Hz
9. Operating Temperature: 0°C~70°C.

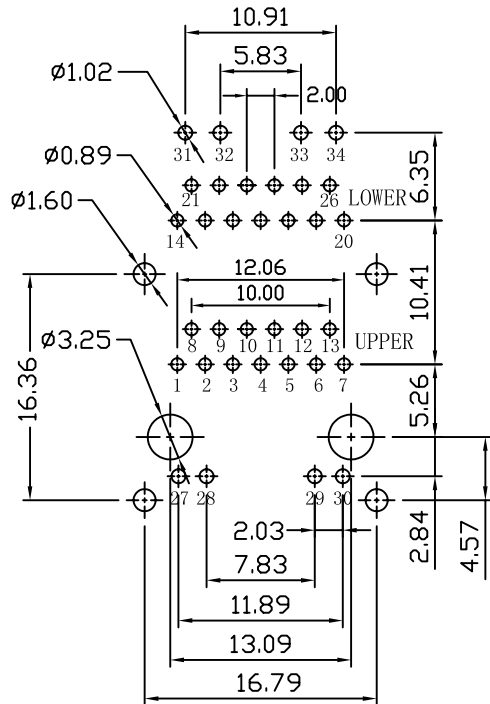
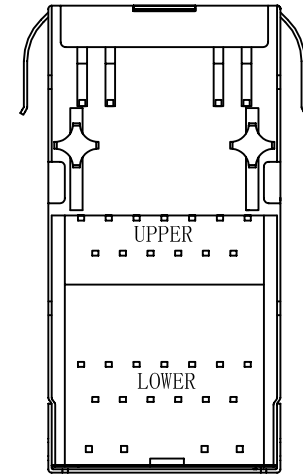
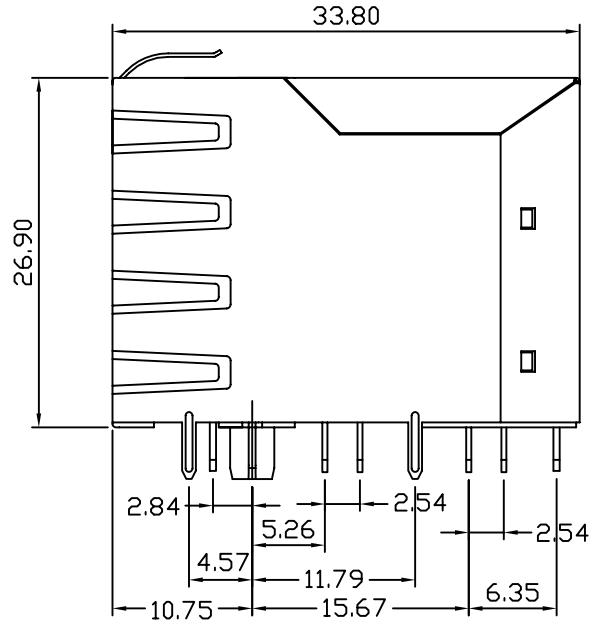
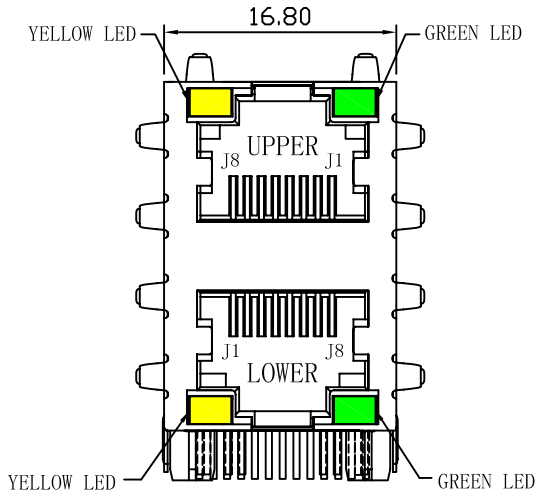
SCHEMATIC FOR UPPER PORT:



X:X ±0.30	APPD:	LINK-PP INT'L TECHNOLOGY CO., LIMITED		
X:XX ±0.20	CHKD:	TITLE: RJ45 Connector With 1000 Base-T Integrated Magnetics		
X:XXX ±0.05	DR: TOM	PART NO. : LPJG17103ADNL		
ANGLES ±1°	UNIT: mm			
	SCALE: 2/1	SHEET: 1/2	REV: A	DWG NO. : LP12032101

# Mechanical:

REV.	ECN NO.	DESCRIPTION	DATE	APPD
A	REL		2012/03/21	



PIN-OUT INFORMATION  
(COMPONENT SIDE VIEW)



## NOTES:

1. Designed to support application, such as SOHO (ADSL modems), LAN-on-Motherboard (LOM), hub and Switches.
2. Meets IEEE 802.3 specification
3. Connector Materials:  
Housing: Thermoplastic UL94V-0  
Contact/Shield: Copper alloy  
Shield plating: Nickel  
Contact plating: Gold 6 micro-inches min. In contact area.
4. Wave solder tip temperature: 265°C Max  
Wave solder tip temperature time: 5 Sec Max

X:X ±0.30	APPD:	LINK-PP INT'L TECHNOLOGY CO., LIMITED		
X:XX ±0.20	CHKD:	TITLE: RJ45 Connector With 1000 Base-T Integrated Magnetics		
X:XXX ±0.05	DR: TOM	PART NO. : LPJG17103ADNL		
ANGLES ±1°	UNIT: mm			
	SCALE: 2/1	SHEET: 2/2	REV: A	DWG NO. : LP12032101