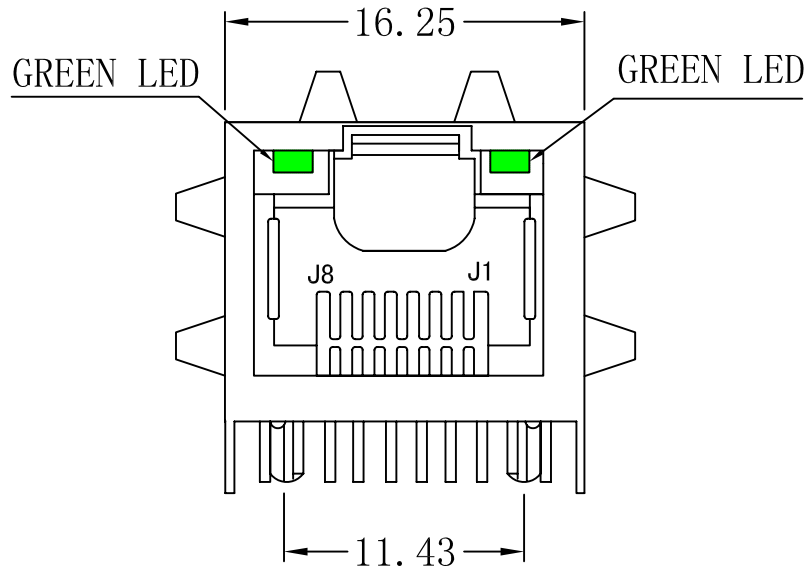
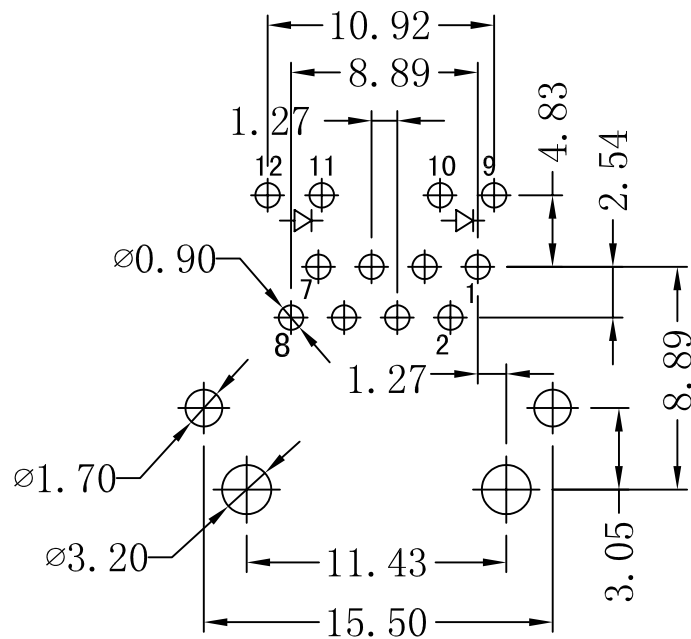
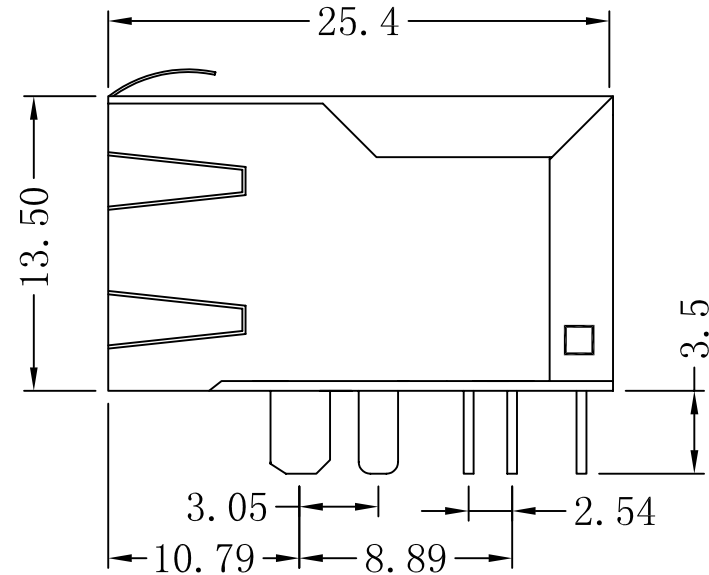


**Mechanical :**



REV.	ECN NO.	DESCRIPTION	DATE	APPD
A	REL		04/10/2007	



SUGGESTED PCB LAYOUT (TOP VIEW)



NOTES:

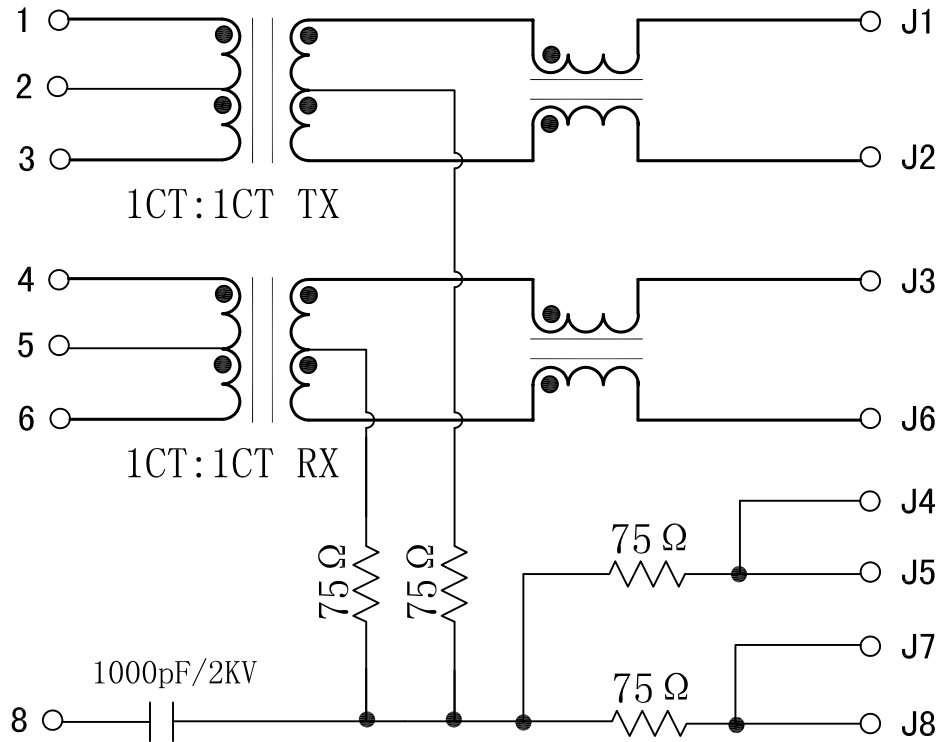
1. Designed to support application, such as SOHO (ADSL modems), LAN-on-Motherboard (LOM), hub and Switches.
2. Meets IEEE 802.3 specification
3. Connector Materials:  
 Housing: Thermoplastic UL94V-0  
 Contact/Shield: Copper alloy  
 Shield plating: Nickel  
 Contact plating: Gold 6 micro-inches min. In contact area.
4. Wave solder tip temperature: 265°C Max  
 Wave solder tip temperature time: 5 Sec Max

X:X	±0.20	APPD:	LINK-PP INT'L TECHNOLOGY CO., LIMITED
X:XX	±0.10	CHKD:	
X:XXX	±0.05	DR: TOM	TITLE: Vertic RJ45 Connector With 10/100 Magnetic
ANGLES	±1°	UNIT: mm	PART NO.: LPJ1014AWN
	SCALE: 2/1	SHEET: 1/2	REV: A
			DWG NO.: LP07100405

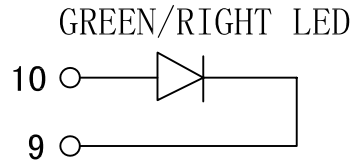
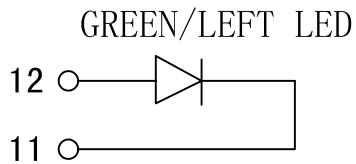
# Schematic:

REV.	ECN NO.	DESCRIPTION	DATE	APPD
A	REL		04/10/2007	

PCB SIDE TO PHY



CABLE SIDE



## Electrical Specification:

TEST NOTES (25±5°C)

- TR: (100KHZ, 100mV);  
TX=1CT:1CT ±3%      RX=1CT:1CT ±3%
- LX: (100KHZ, 100mV, 8mA, DC Bias)  
PINS: (P1, P3), (P4, P6)=350uH MIN
- HIPOT:  
PINS (P1, P2, P3) TO (J1, J2)=1500V  
PINS (P4, P5, P6) TO (J3, J6)=1500V
- INSERTION LOSS:  
-1.0dB MAX @ 1.0MHz TO 65MHz
- RETURN LOSS:  
-20dB MIN @ 1MHz TO 10MHz  
-16dB MIN @ 10MHz TO 30MHz  
-12dB MIN @ 30MHz TO 60MHz  
-10dB MIN @ 60MHz TO 100MHz
- CROSS TALK:  
-40dB MIN @ 1MHz TO 30MHz  
-35dB MIN @ 30MHz TO 60MHz  
-30dB MIN @ 60MHz TO 100MHz
- COMMON TO COMMON MODE REJECTION:  
-30dB MIN @1MHz TO 50MHz  
-20dB MIN @50MHz TO 150MHz
- Operating Temperature: 0°C~70°C.



X:X	±0.20	APPD:	LINK-PP INT'L TECHNOLOGY CO., LIMITED	
X:XX	±0.10	CHKD:	TITLE: Vertic RJ45 Connector With 10/100 Magnetic	
X:XXX	±0.05	DR: TOM	PART NO.: LPJ1014AWN	
ANGLES	±1°	UNIT: mm		
	SCALE: 2/1	SHEET: 2/2	REV: A	DWG NO.: LP07100405