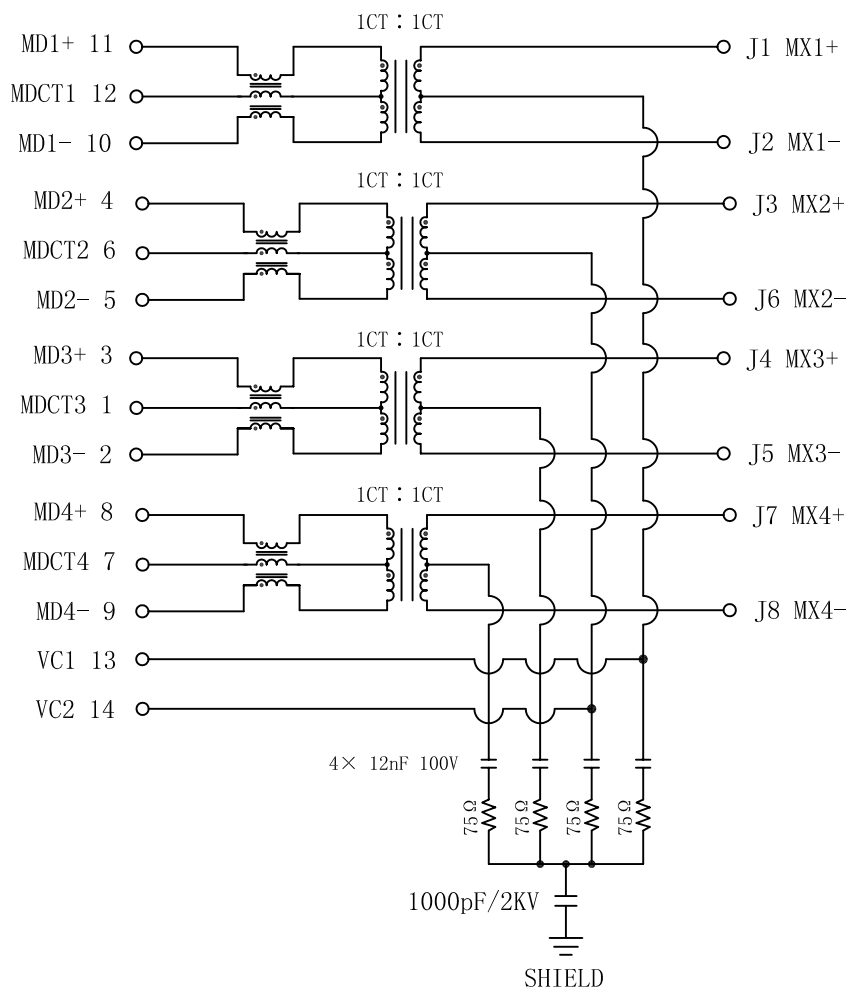


# Schematic:

REV.	ECN NO.	DESCRIPTION	DATE	APPD
A	REL		2010/11/02	

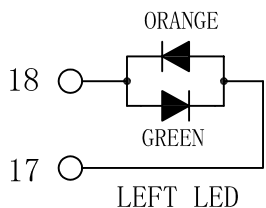
PC BOARD CONNECTIONS



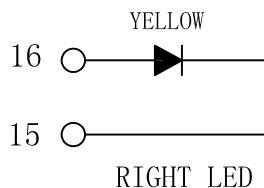
RJ45 CONNECTOR

## Electrical Specifications @25°C

- Turns Ratio ( $\pm 2\%$ ):  
TX=1CT : 1CT      RX=1CT : 1CT
- OCL: 350uH Min  
@ 100KHz/100mVrms 8mA DC bias.
- Insertion Loss:  
0.1-1MHz: -1.1dB Max  
1-65MHz: -0.5dB Max  
65-100MHz: -0.8dB Max  
100-125MHz: -1.2dB Max
- Return Loss:  
0.5-40MHz: -18dB Min  
40-100MHz:  $-[12+20\text{LOG}(f/80\text{MHz})]$  dB Min
- Crosstalk:  
0.1-100MHz:  $-[22+20\text{LOG}(f/100\text{MHz})]$  dB Min
- CM TO CM REJ:  
0.1-100MHz: -30dB Min
- CM TO DM REJ:  
0.1-100MHz: -35dB Min
- Hipot: 1500Vrms
- Balanced DC Line Current:  
350mA Max. @ 57 VDC Continuous  
500mA Max. @ 57 VDC For 200 Milliseconds
- Operating Temperature: 0°C ~ 70°C.



LEFT LED



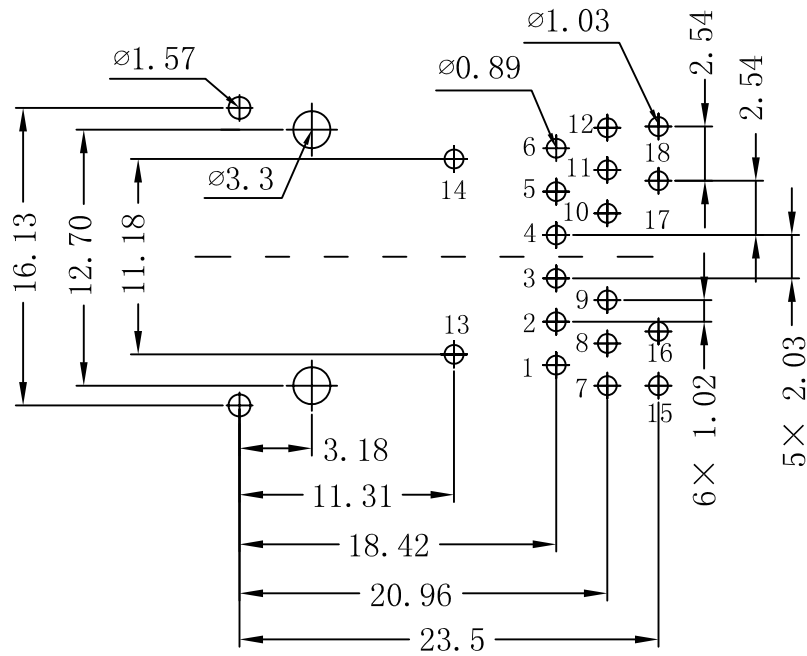
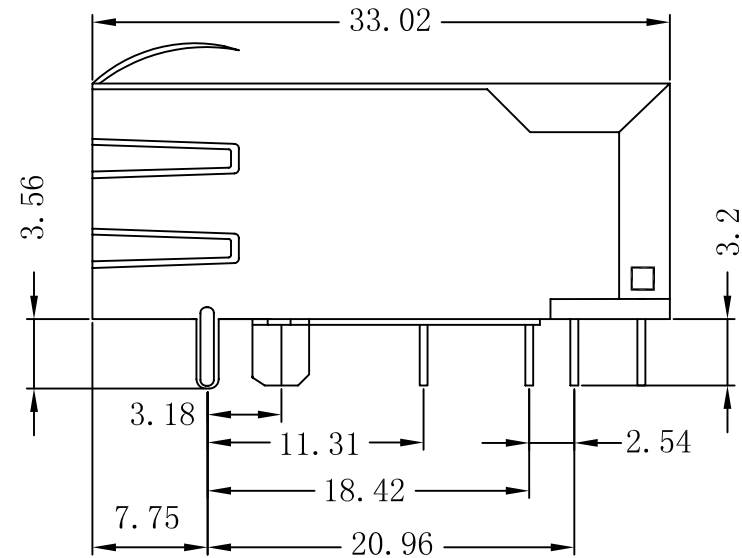
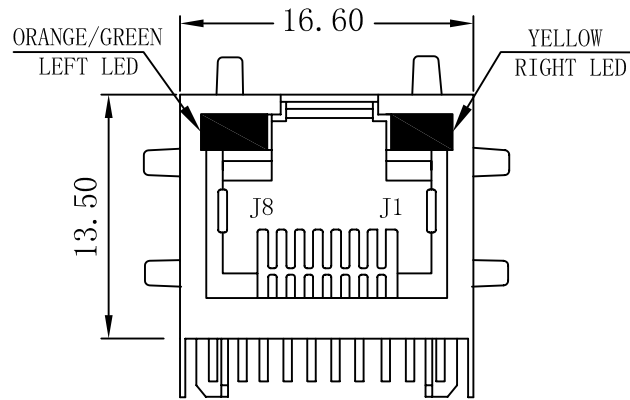
RIGHT LED



X:X	$\pm 0.20$	APPD:	LINK-PP INT'L TECHNOLOGY CO., LIMITED
X:XX	$\pm 0.10$	CHKD:	
X:XXX	$\pm 0.05$	DR: TOM	
ANGLES	$\pm 1^\circ$	UNIT: mm	Part No.: LPJK1046AONL
	SCALE: 2/1	SHEET: 1/2	REV: A      DWG NO.: LP10110206

# Mechanical:

REV.	ECN NO.	DESCRIPTION	DATE	APPD
A	REL		2010/11/02	



SUGGESTED PCB LAYOUT (TOP VIEW)



## NOTES:

1. Designed to support application, such as SOHO (ADSL modems), LAN-on-Motherboard (LOM), hub and Switches.
2. Meets IEEE 802.3 specification
3. Connector Materials:  
 Housing: Thermoplastic UL94V-0  
 Contact/Shield: Copper alloy  
 Shield plating: Nickel  
 Contact plating: Gold 6 micro-inches min. In contact area.
4. Wave solder tip temperature: 265°C Max  
 Wave solder tip temperature time: 5 Sec Max

X:X	±0.20	APPD:	LINK-PP INT'L TECHNOLOGY CO., LIMITED
X:XX	±0.10	CHKD:	
X:XXX	±0.05	DR: TOM	Title: RJ45 Connector with 1000 Base-TX Integrated Magnetic & PoE
ANGLES	±1°	UNIT: mm	PART NO.: LPJK1046AONL
	SCALE: 2/1	SHEET: 2/2	REV: A DWG NO.: LP10110206