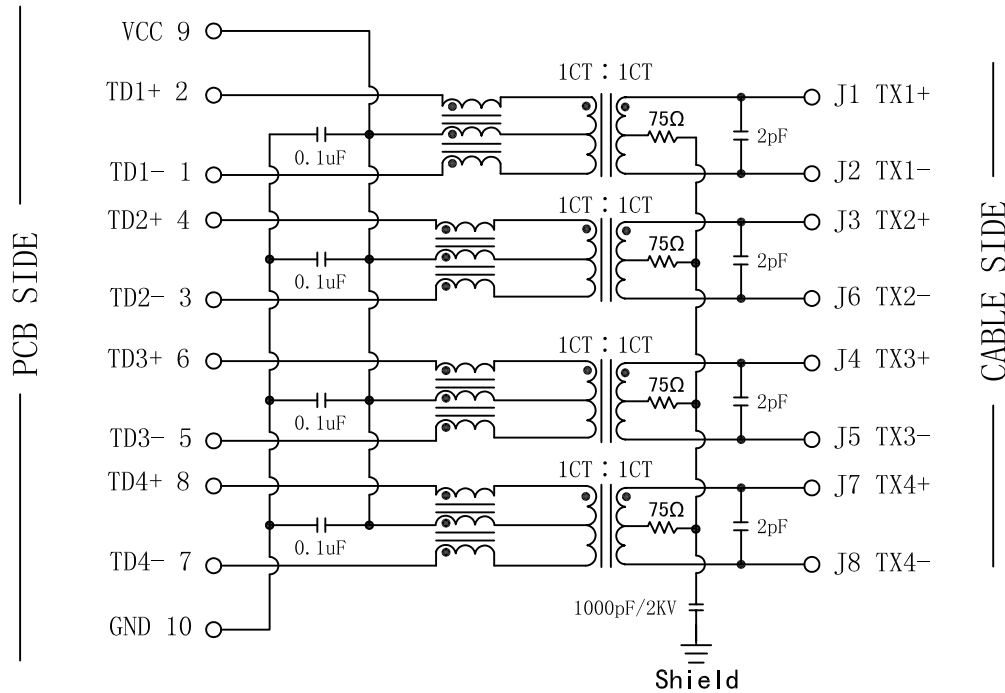


Schematic:

REV.	ECN NO.	DESCRIPTION	DATE	APPD
A	REL		2013/05/14	



Electrical Specifications @25°C

1. OCL (@100KHz, 100mVrms, 8mA DC Bias):

350uH min

2. Turns Ratio: 1CT : 1CT ±2%

3. Insertion Loss:

0.1~1MHz: -1.1dB Max

1~65MHz: -0.5dB Max

65~100MHz: -0.8dB Max

100~125MHz: -1.2dB Max

4. Return Loss (dB Min):

0.5~40MHz: -18

40~100MHz: $-[12+20\text{Log}(f/80\text{MHz})]$

5. Crosstalk:

0.1~100MHz: -30dB Min

6. CM TO CM REJ:

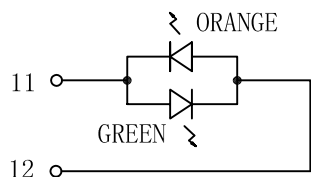
0.1~100MHz: -30dB Min

7. CM TO DM REJ:

0.1~100MHz: -35dB Min

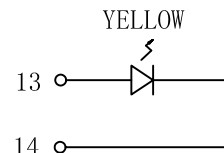
8. Hi-Pot: 1500Vrms @60Hz

9. Operating Temperature: -40°C ~ +85°C.



LEFT LED

LED POLARITY		COLOR
PIN 11	PIN 12	
+	-	GREEN
-	+	ORANGE



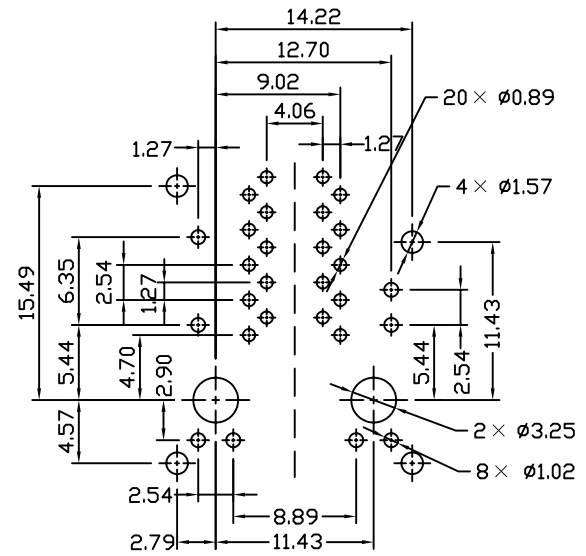
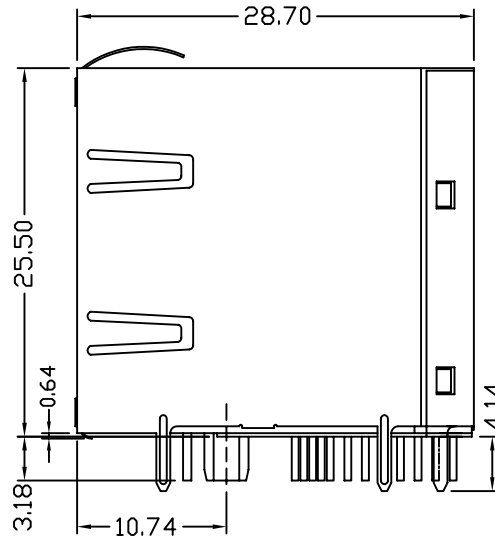
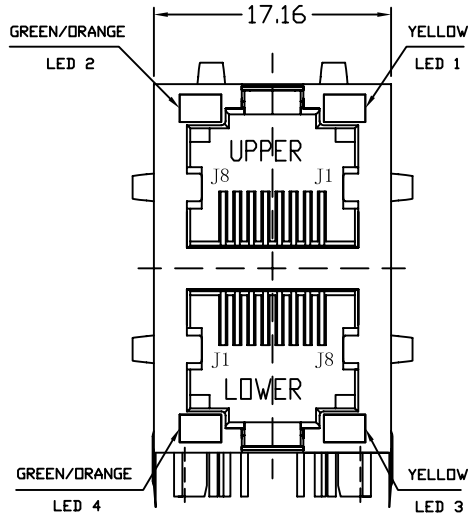
RIGHT LED

LED POLARITY		COLOR
PIN 13	PIN 14	
+	-	YELLOW

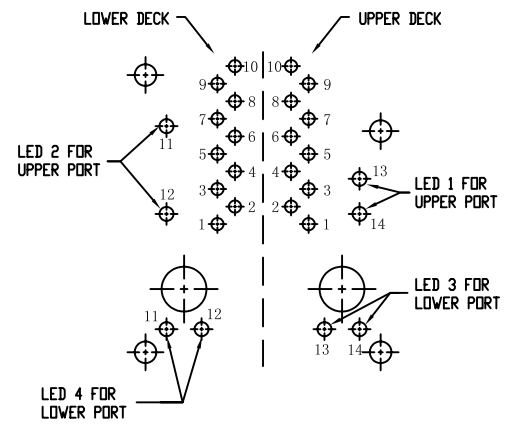
X:X ±0.30	APPD:	LINK-PP INT'L TECHNOLOGY CO., LIMITED
X:XX ±0.20	CHKD:	
X:XXX ±0.05	DR: TOM	TITLE: RJ45 Connector With 1000 Base-T Integrated Magnetics
ANGLES ±1°	UNIT: mm	PART NO.: LPJG17039A61NL
	SCALE: 2/1	SHEET: 1/2
	REV: A	DWG NO.: LP13051408

Mechanical:

REV.	ECN NO.	DESCRIPTION	DATE	APPD
A	REL		2013/05/14	



SUGGESTED PCB LAYOUT(TOP VIEW)



NOTES:

1. Designed to support application, such as SOHO (ADSL modems), LAN-on-Motherboard (LOM), hub and Switches.
2. Meets IEEE 802.3 specification
3. Connector Materials:
 Housing: Thermoplastic UL94V-0
 Contact/Shield: Copper alloy
 Shield plating: Nickel
 Contact plating: Gold 6 micro-inches min. In contact area.
4. Wave solder tip temperature: 265°C Max
 Wave solder tip temperature time: 5 Sec Max



X:X ±0.30	APPD:	LINK-PP INT'L TECHNOLOGY CO., LIMITED
X:XX ±0.20	CHKD:	
X:XXX ±0.05	DR: TOM	TITLE: RJ45 Connector With 1000 Base-T Integrated Magnetics
ANGLES ±1°	UNIT: mm	PART NO.: LPJG17039A61NL
	SCALE: 2/1	SHEET: 2/2
	REV: A	DWG NO.: LP13051408