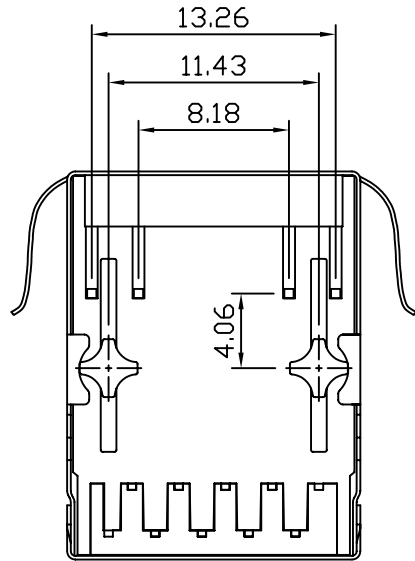
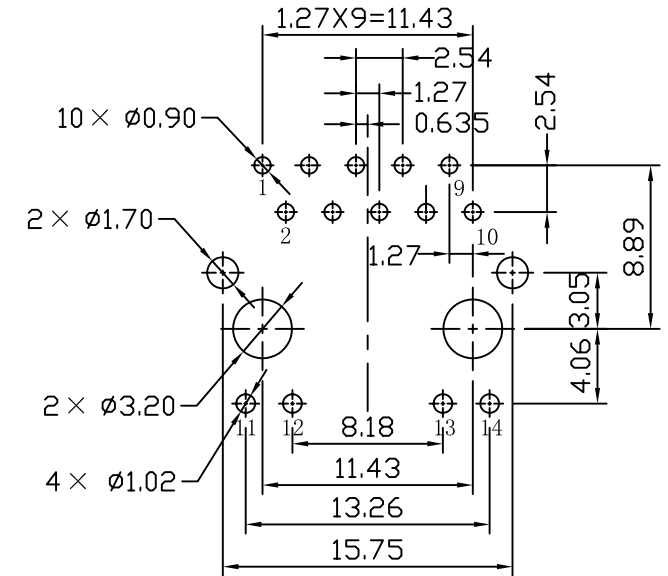
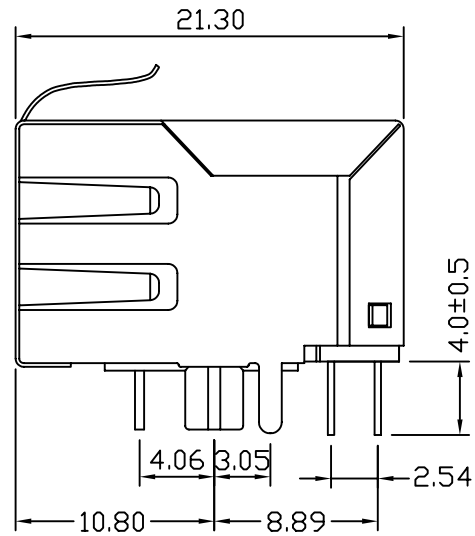
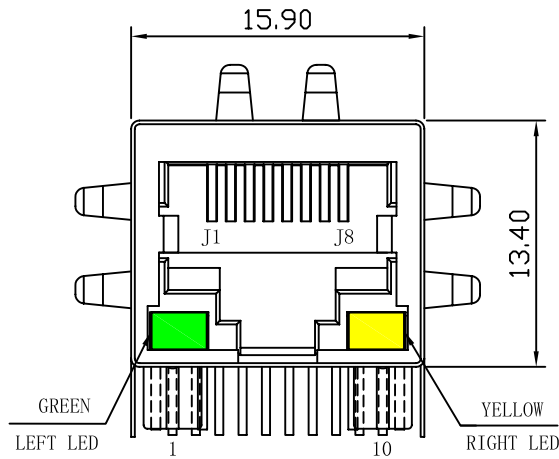


# Mechanical:

REV.	ECN NO.	DESCRIPTION	DATE	APPD
A	REL		2009/06/19	



## NOTES:

1. Designed to support application, such as SOHO (ADSL modems), LAN-on-Motherboard (LOM), hub and Switches.
2. Meets IEEE 802.3 specification
3. Connector Materials:  
 Housing: Thermoplastic UL94V-0  
 Contact/Shield: Copper alloy  
 Shield plating: Nickel  
 Contact plating: Gold 6 micro-inches min. In contact area.
4. Wave solder tip temperature: 265°C Max  
 Wave solder tip temperature time: 5 Sec Max

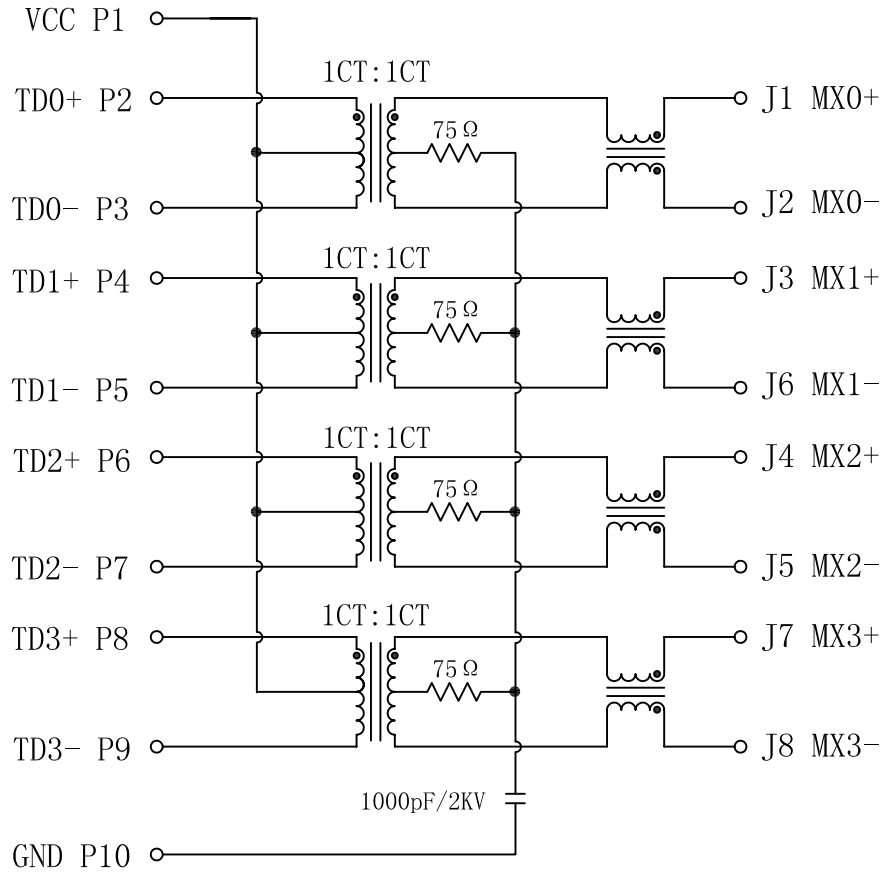


X:X ±0.30	APPD:	LINK-PP INT'L TECHNOLOGY CO., LIMITED
X:XX ±0.20	CHKD:	
X:XXX ±0.05	DR: TOM	TITLE: RJ45 Connector with 1000 Base-T Integrated Magnetics
ANGLES ±1°	UNIT: mm	PART NO.: LPJG0820G28NL
	SCALE: 2/1	SHEET: 2/2
	REV: A	DWG NO.: LP09061910

Schematic:

REV.	ECN NO.	DESCRIPTION	DATE	APPD
A	REL		2009/06/19	

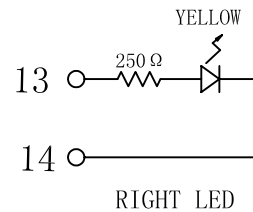
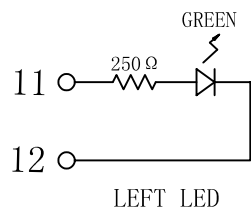
PCB SIDE



CABLE SIDE

Electrical Specifications @ 25°C  
unless otherwise noted:

- INDUCTANCE:  
350uH min, 100KHz, 100mV, 8mADC,  
J1-J2;J3-J6;J4-J5;J7-J8, LP.
- Return Loss(dB Min):  
1-40MHz:-18      40-60MHz:-14  
60-80MHz:-12      80-100MHz:-10
- Crosstalk:  
1-100MHz:-30dB Min
- Insertion Loss:  
1-100MHz:-1.0dB Max
- CMR:  
1-100MHz:-35dB Min
- Turns Ratio: 1CT : 1CT
- Isolation Voltage: 1500Vrms/60Hz
- Operating temperature: 0°C-70°C.



X:X	±0.30	APPD:	LINK-PP INT'L TECHNOLOGY CO., LIMITED
X:XX	±0.20	CHKD:	
X:XXX	±0.05	DR: TOM	TITLE: RJ45 Connector with 1000 Base-T Integrated Magnetics
ANGLES	±1°	UNIT: mm	PART NO.: LPJG0820G28NL
	SCALE: 2/1	SHEET: 1/2	REV: A      DWG NO.: LP09061908