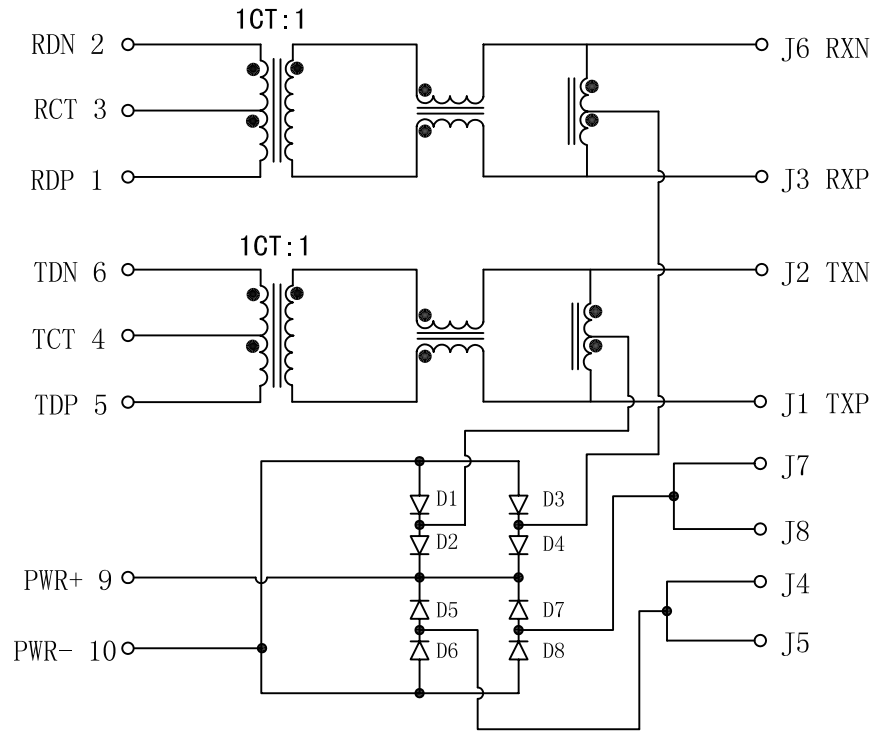


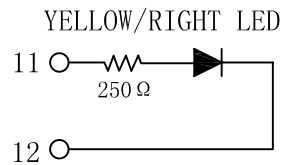
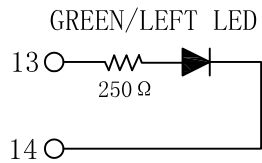
# Schematic:

REV.	ECN NO.	DESCRIPTION	DATE	APPD
A	REL		08/10/2009	

PC BOARD CONNECTIONS



RJ45 CONNECTOR



## Electrical Specifications @25°C

IMPEDANCE: 100 OHMS

1. Turns Ratio ( $\pm 2\%$ ):

TX=1CT : 1      RX=1CT : 1

2. Inductance OCL: 350uH min

@100KHz, 0.1Vrms, 8mADC Bias

3. Insertion Loss:

0.5-100MHz:-1.1dB Max

4. Return Loss(dB Min):

1-30MHz:-18;      40MHz:-16

50MHz:-14;      60-80MHz:-12

5. Crosstalk(dB Min):

0.3-80MHz:-30

6. Common Mode Rejection Ratio(CMRR):

0.5-100MHz:-30dB Min

7. Isolation Voltage: 1500Vrms

8. PoE current 350mADC MAX

9. Operating Temperature: 0°C ~70°C.

1. LEDS WITH BUILT-IN RESISTOR

2. LEDS ARE DRIVEN WITH 5V VOLTAGE AND THE MAX OPERATING CURRENT IS 20mA.

3. LED COLOR:

DOMINANT WAVELENGTH( $\lambda D$ ): GREEN 568 nm TYP @ VF=5V

FORWARO CURRENT(IF): GREEN 12mA TYP @ VF=5V

DOMINANT WAVELENGTH( $\lambda D$ ): YELLOW 588 nm TYP @ VF=5V

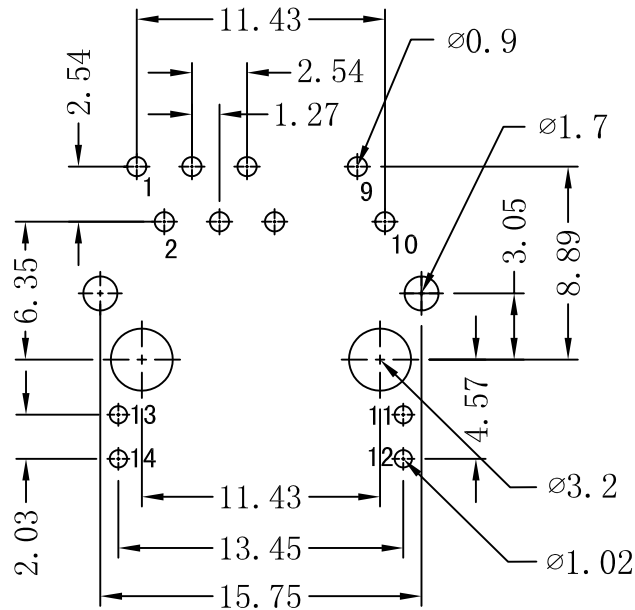
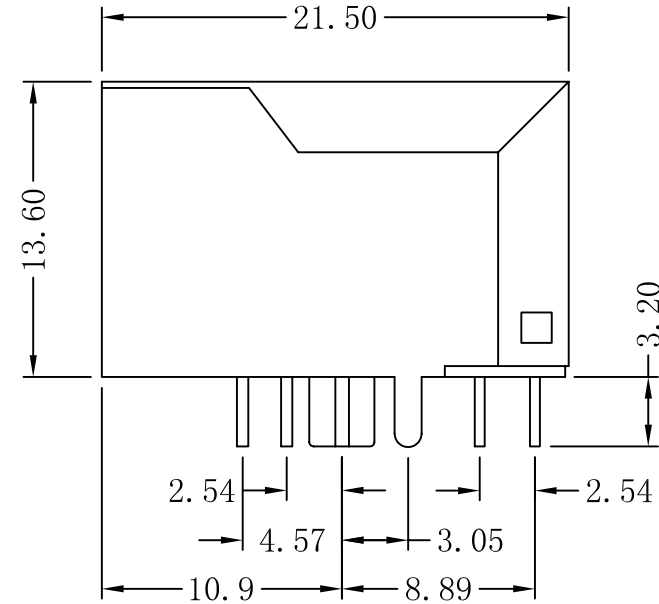
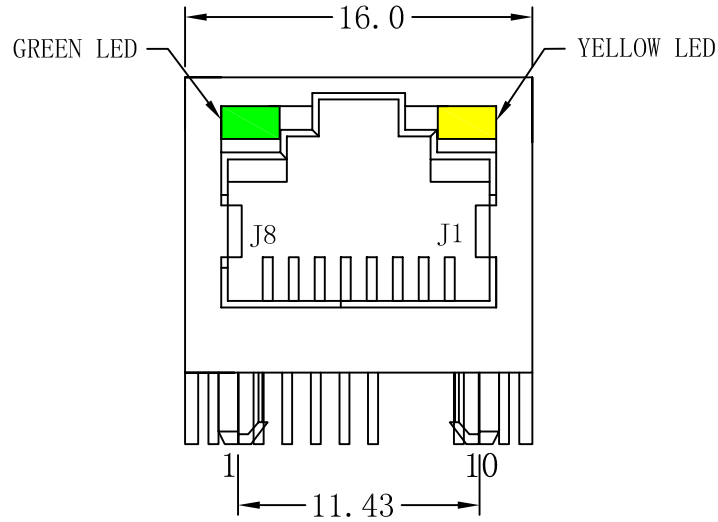
FORWARO CURRENT(IF): YELLOW 13mA TYP @ VF=5V



X:X	$\pm 0.20$	APPD:	LINK-PP INT'L TECHNOLOGY CO., LIMITED	
X:XX	$\pm 0.10$	CHKD:	Title: RJ45 Connector With 10 /100 Base-TX Integrated Magnetic TAB-UP & PoE	
X:XXX	$\pm 0.05$	DR: TOM		
ANGLES	$\pm 1^\circ$	UNIT: mm	PART NO.:	LPJ16249B28NL
	SCALE: 2/1	SHEET: 1/2	REV: A	DWG NO: LP09100809

# Mechanical:

REV.	ECN NO.	DESCRIPTION	DATE	APPD
A	REL		08/10/2009	



Suggested PCB Layout (TOP VIEW)



## NOTES:

1. Designed to support application, such as SOHO (ADSL modems), LAN-on-Motherboard (LOM), hub and Switches.
2. Meets IEEE 802.3 specification
3. Connector Materials:  
Housing: Thermoplastic UL94V-0  
Contact/Shield: Copper alloy  
Shield plating: Nickel  
Contact plating: Gold 6 micro-inches min. In contact area.
4. Wave solder tip temperature: 265°C Max  
Wave solder tip temperature time: 5 Sec Max

X:X	±0.20	APPD:	LINK-PP INT'L TECHNOLOGY CO., LIMITED
X:XX	±0.10	CHKD:	
X:XXX	±0.05	DR: TOM	Title: RJ45 Connector With 10 /100 Base-TX Integrated Magnetic TAB-UP & PoE
ANGLES	±1°	UNIT: mm	PART NO.: LPJ16249B28NL
	SCALE: 2/1	SHEET: 2/2	REV: A
			DWG NO: LP09100809