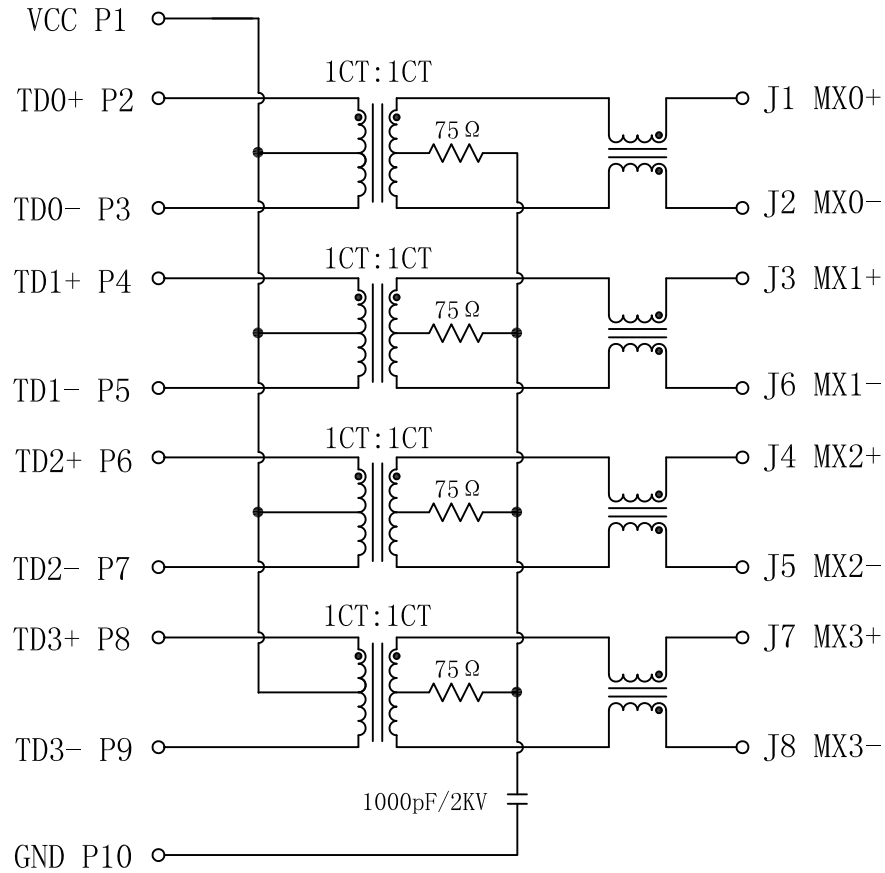


Schematic:

REV.	ECN NO.	DESCRIPTION	DATE	APPD
A	REL		2009/06/19	

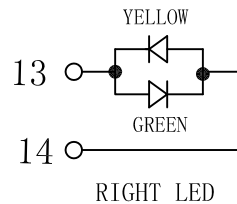
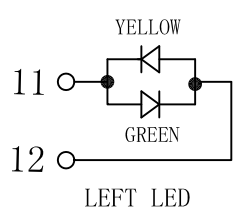
PCB SIDE



CABLE SIDE

Electrical Specifications @ 25°C
unless otherwise noted:

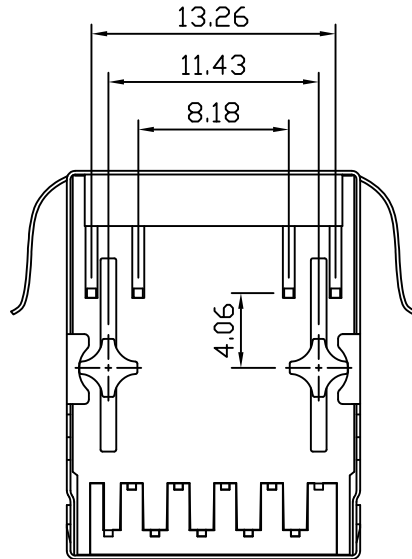
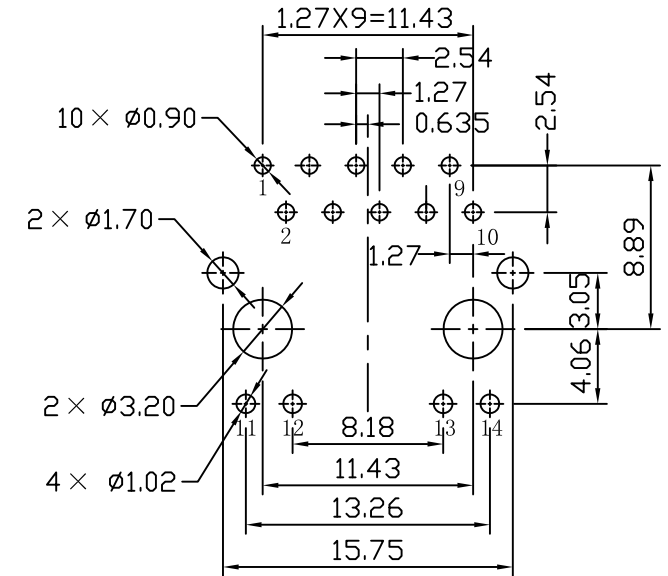
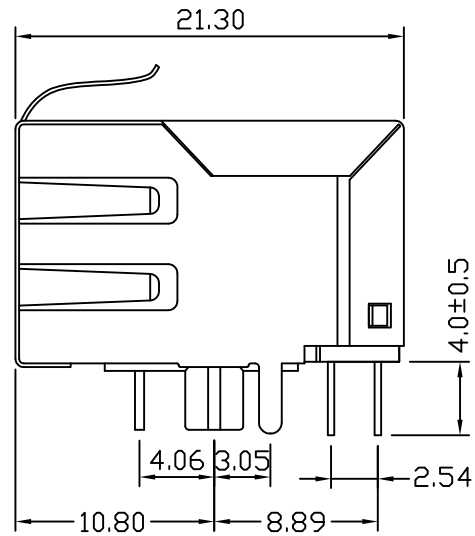
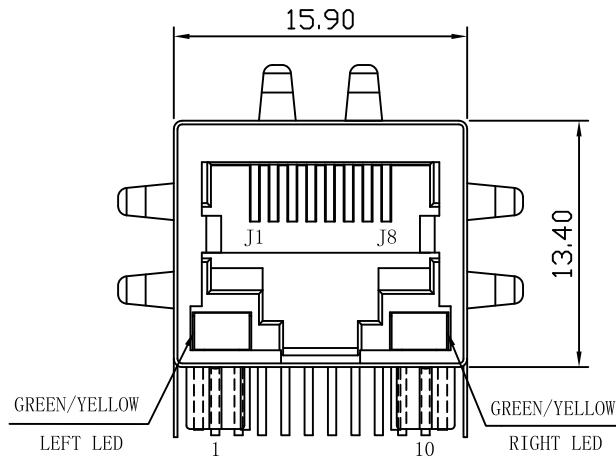
- INDUCTANCE:
350uH Min, @100KHz, 100mV, 8mADC,
J1-J2;J3-J6;J4-J5;J7-J8, LP.
- Return Loss(dB Min):
1~40MHz:-18 40~60MHz:-14
60~80MHz:-12 80~100MHz:-10
- Crosstalk:
1~100MHz:-30dB Min
- Insertion Loss:
1~100MHz:-1.0dB Max
- CMR:
1~100MHz:-35dB Min
- Turns Ratio: 1CT : 1CT
- Isolation Voltage: 1500Vrms/60Hz
- Operating temperature: -40°C ~ 70°C.



X:X ±0.30	APPD:	LINK-PP INT'L TECHNOLOGY CO., LIMITED
X:XX ±0.20	CHKD:	
X:XXX ±0.05	DR: TOM	TITLE: RJ45 Connector with 1000 Base-T Integrated Magnetics
ANGLES ±1°	UNIT: mm	PART NO.: LPJG4820G4NL
	SCALE: 2/1	SHEET: 1/2
	REV: A	DWG NO.: LP09061910

Mechanical:

REV.	ECN NO.	DESCRIPTION	DATE	APPD
A	REL		2009/06/19	



NOTES:

1. Designed to support application, such as SOHO (ADSL modems), LAN-on-Motherboard (LOM), hub and Switches.
2. Meets IEEE 802.3 specification
3. Connector Materials:
 Housing: Thermoplastic UL94V-0
 Contact/Shield: Copper alloy
 Shield plating: Nickel
 Contact plating: Gold 6 micro-inches min. In contact area.
4. Wave solder tip temperature: 265°C Max
 Wave solder tip temperature time: 5 Sec Max



X:X ±0.30	APPD:	LINK-PP INT'L TECHNOLOGY CO., LIMITED
X:XX ±0.20	CHKD:	
X:XXX ±0.05	DR: TOM	TITLE: RJ45 Connector with 1000 Base-T Integrated Magnetics
ANGLES ±1°	UNIT: mm	PART NO.: LPJG4820G4NL
	SCALE: 2/1	SHEET: 2/2
	REV: A	DWG NO.: LP09061910