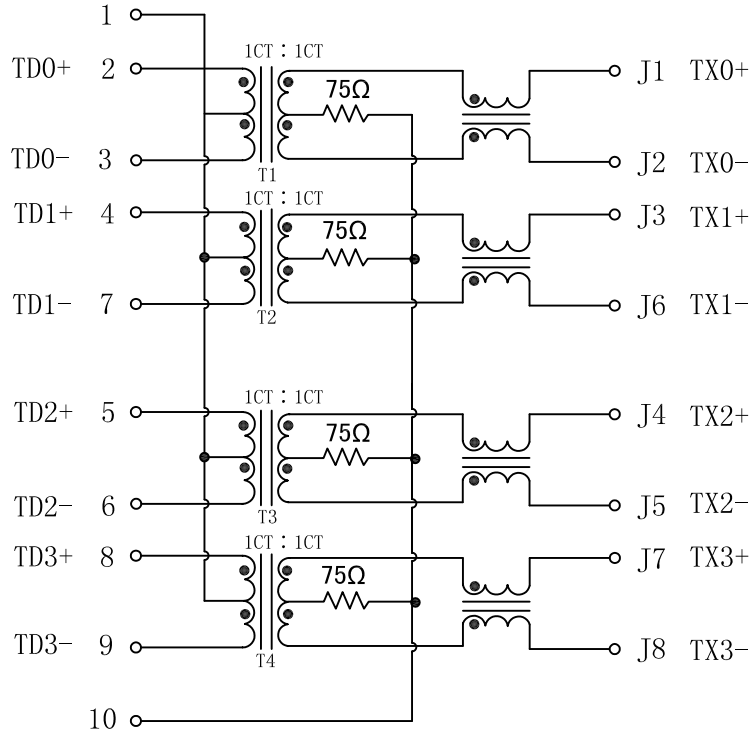


Schematic:

REV.	ECN NO.	DESCRIPTION	DATE	APPD
A	REL		2011/07/01	

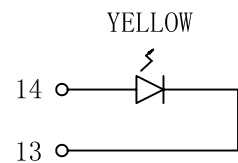
PCB CONNECTIONS



RJ45 CONNECTOR

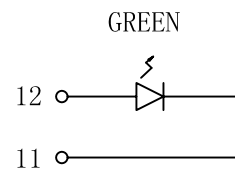
Electrical Specifications @25°C

- Turns Ratio:
1CT : 1CT ±2%
- OCL: 350uH Min
@100KHz 100mV With 8mADC BIAS
- Insertion Loss:
0.1-100MHz:-1.1dB MAX
- Return Loss (dB MIN):
1-30MHz:-18
30-80MHz:-12
- Crosstalk:
1-100MHz:-30dB MIN
- Common to common mode attenuation:
1-100MHz:-35dB MIN
- Hipot: 1500VAC 1mA 1S
- Operating Temperature: 0°C~70°C.



LEFT LED

LED POLARITY		COLOR
PIN 14	PIN 13	
+	-	YELLOW



RIGHT LED

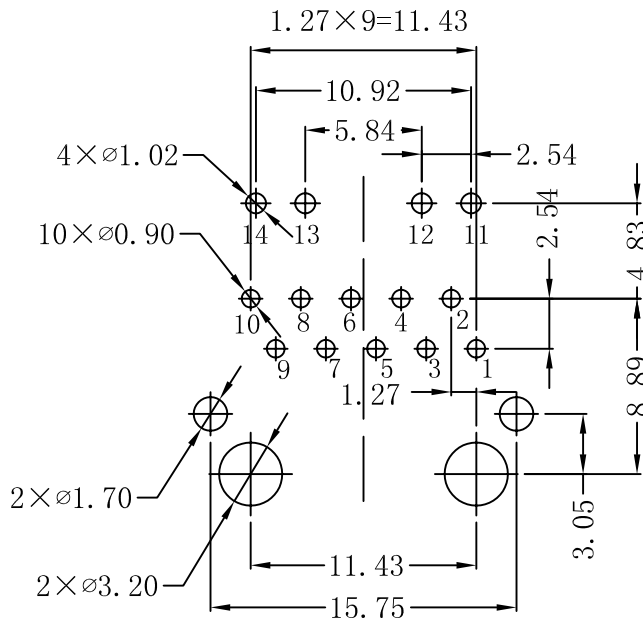
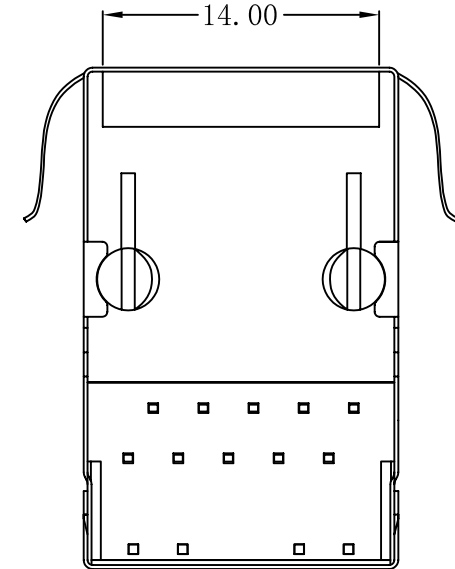
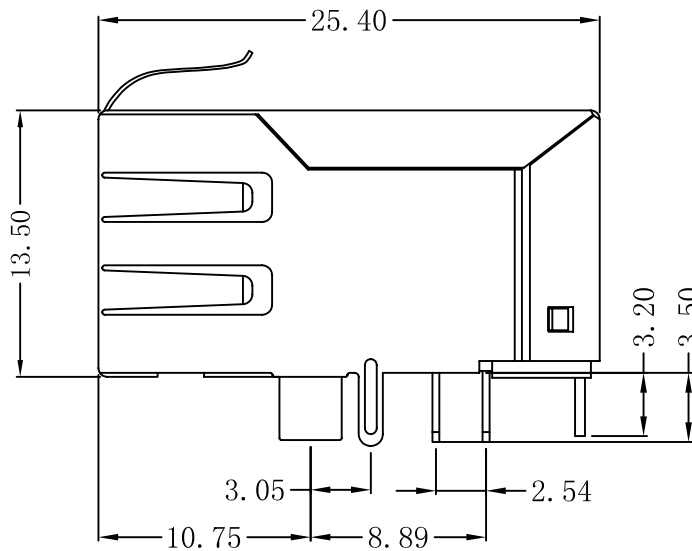
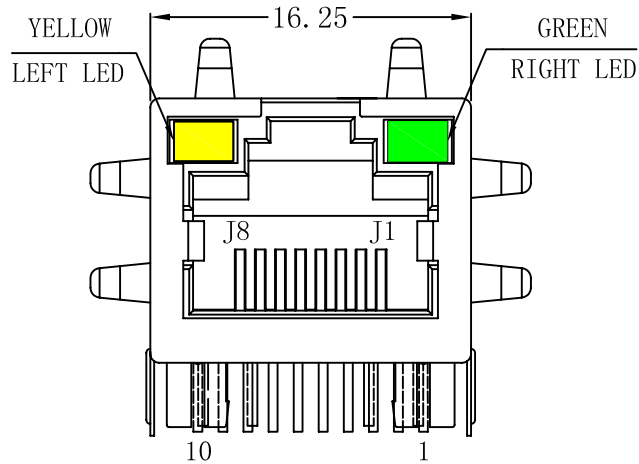
LED POLARITY		COLOR
PIN 12	PIN 11	
+	-	GREEN



X:X ±0.20	APPD:	LINK-PP INT'L TECHNOLOGY CO., LIMITED
X:XX ±0.10	CHKD:	
X:XXX ±0.05	DR: TOM	Title: RJ45 Connector With 1000 Base-TX Integrated Magnetic
ANGLES ±1°	UNIT: mm	PART NO.: LPJG17303AGNL
	SCALE: 2/1	SHEET: 1/2
	REV: A	DWG NO.: LP11070102

Mechanical:

REV.	ECN NO.	DESCRIPTION	DATE	APPD
A	REL		2011/07/01	



SUGGESTED PCB LAYOUT (TOP VIEW)

NOTES:

1. Designed to support application, such as SOHO (ADSL modems), LAN-on-Motherboard (LOM), hub and Switches.
2. Meets IEEE 802.3 specification
3. Connector Materials:
 Housing: Thermoplastic UL94V-0
 Contact/Shield: Copper alloy
 Shield plating: Nickel
 Contact plating: Gold 6 micro-inches min. In contact area.
4. Wave solder tip temperature: 265°C Max
 Wave solder tip temperature time: 5 Sec Max



X:X	±0.20	APPD:	LINK-PP INT'L TECHNOLOGY CO., LIMITED
X:XX	±0.10	CHKD:	
X:XXX	±0.05	DR: TOM	Title: RJ45 Connector With 1000 Base-TX Integrated Magnetic
ANGLES	±1°	UNIT: mm	PART NO.: LPJG17303AGNL
	SCALE: 2/1	SHEET: 2/2	REV: A DWG NO.: LP11070102