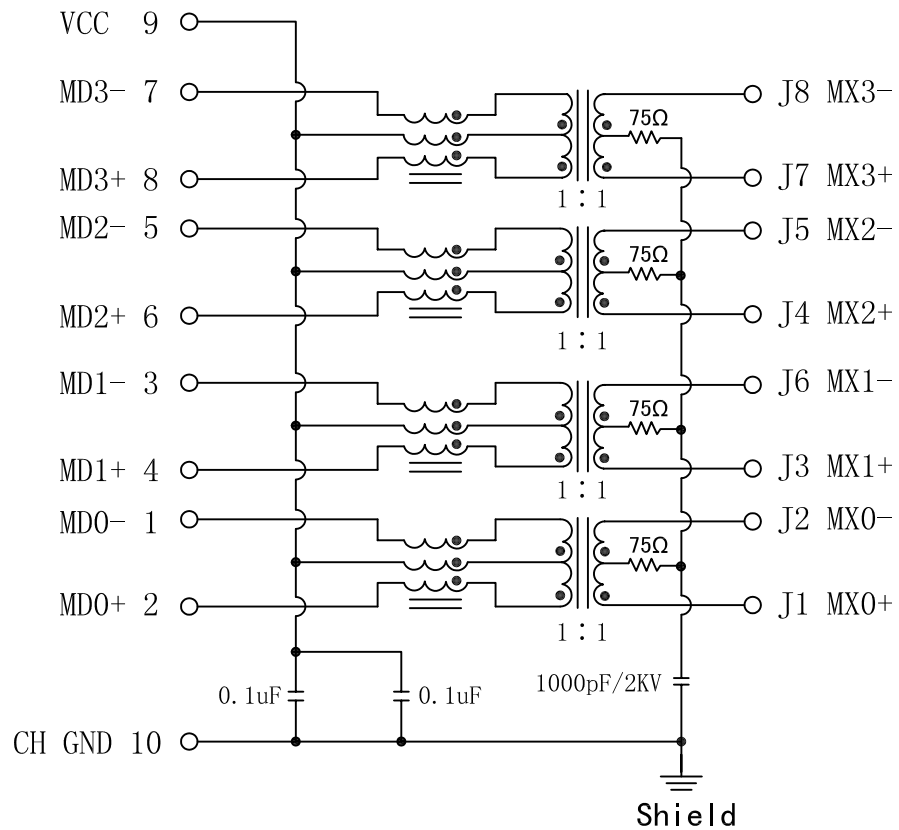


Schematic:

REV.	ECN NO.	DESCRIPTION	DATE	APPD
A	REL		2011/01/06	

PCB CONNECTIONS



CABLE

Electrical Specifications @ 25°C

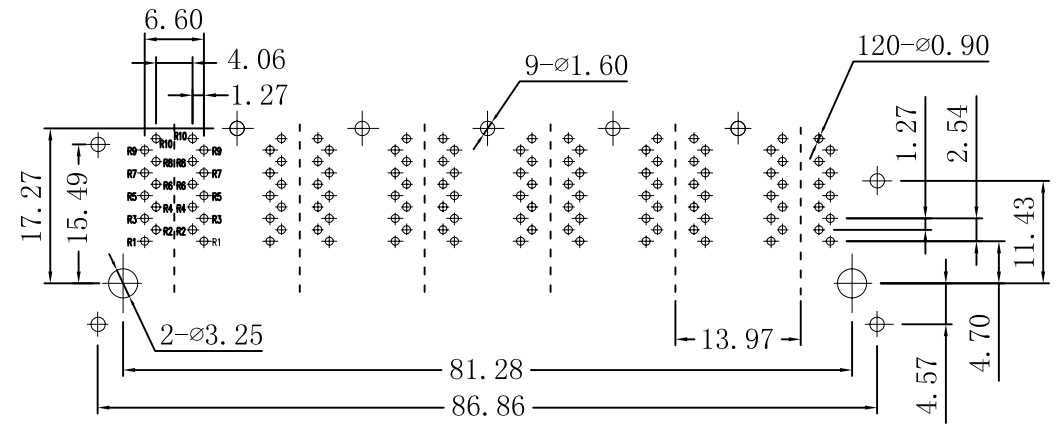
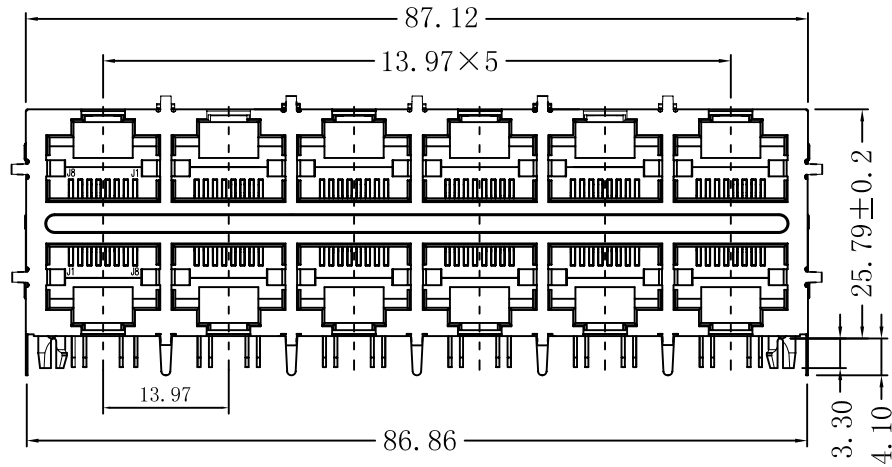
1. Transmitter filter & Receiver filter
Type: Balance low pass 100Ω impedance
Insertion Loss:
1~65MHz: -1.0dB MAX
Return Loss:
1~10MHz: -20dB TYP. load 100Ω±15Ω
30MHz: -16dB TYP. load 100Ω±15Ω
60~80MHz: -12dB TYP. load 100Ω±15Ω
2. Inductance (@ 100KHz, 0.1V, 8mA DC BIAS):
350uH MIN
3. Crosstalk:
1~10MHz: -40dB MIN
32~60MHz: -35dB MIN
60~100MHz: -30dB MIN
4. Common Mode Rejection:
1~50MHz: -30dB TYP
50~130MHz: -20dB TYP
5. Hipot: 1500Vrms MIN @60Hz 1 MIN
6. Operating Temperature: 0°C ~ +70°C.



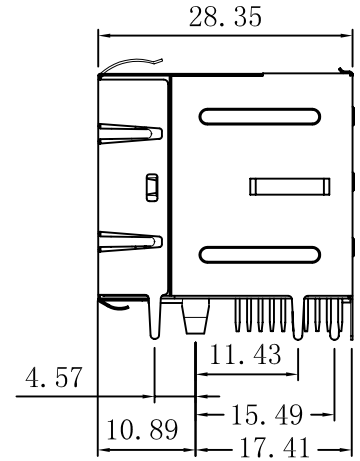
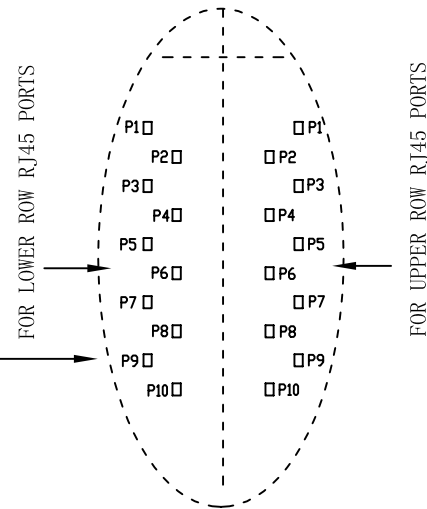
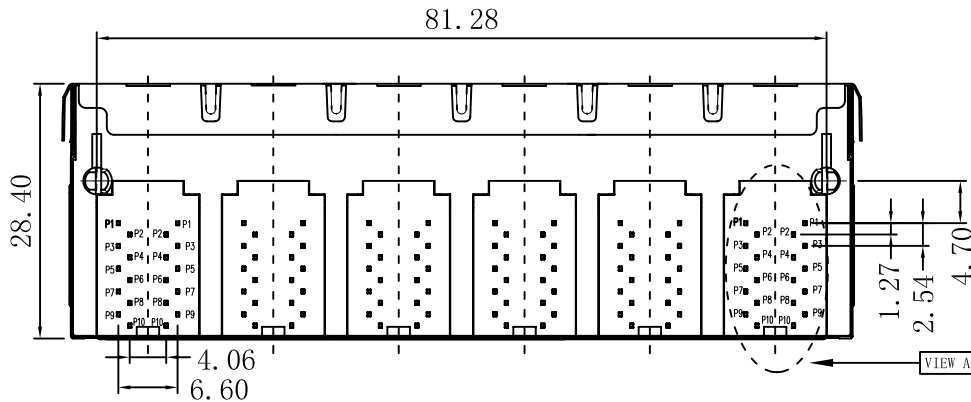
X:X	±0.20	APPD:	LINK-PP INT'L TECHNOLOGY CO., LIMITED	
X:XX	±0.10	CHKD:	Title: RJ45 . Transformer. 1000 Base-T. 2×6	
X:XXX	±0.05	DR: TOM	PART NO.: LPJG67547CNL	
ANGLES	±1°	UNIT: mm		
	SCALE: 2/1	SHEET: 1/2	REV: A	DWG NO.: LP11010612

Mechanical :

REV.	ECN NO.	DESCRIPTION	DATE	APPD
A	REL		2011/01/06	



SUGGESTED PCB LAYOUT (TOP VIEW)



NOTES:

1. Designed to support application, such as SOHO (ADSL modems), LAN-on-Motherboard (LOM), hub and Switches.
2. Meets IEEE 802.3 specification
3. Connector Materials:
Housing: Thermoplastic UL94V-0
Contact/Shield: Copper alloy
Shield plating: Nickel
Contact plating: Gold 6 micro-inches min. In contact area.
4. Wave solder tip temperature: 265°C Max
Wave solder tip temperature time: 5 Sec Max
5. UL Certification: File Number E321120



X:X	±0.20	APPD:	LINK-PP INT'L TECHNOLOGY CO., LIMITED
X:XX	±0.10	CHKD:	
X:XXX	±0.05	DR: TOM	Title: RJ45 .Transformer.1000 Base-T. 2×6
ANGLES	±1°	UNIT: mm	PART NO.: LPJG67547CNL
	SCALE: 2/1	SHEET: 2/2	REV: A
		DWG NO.:	LP11010612