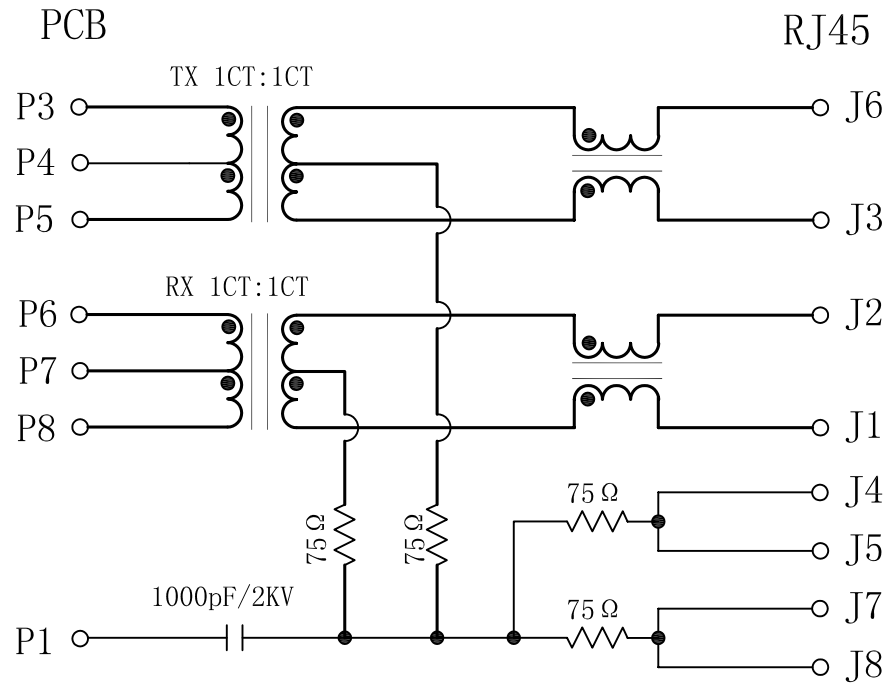
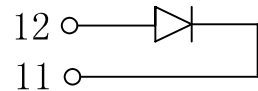


Schematic :

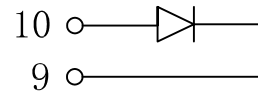
REV.	ECN NO.	DESCRIPTION	DATE	APPD
A	REL		13/07/2009	



GREEN/LEFT LED



YELLOW/RIGHT LED



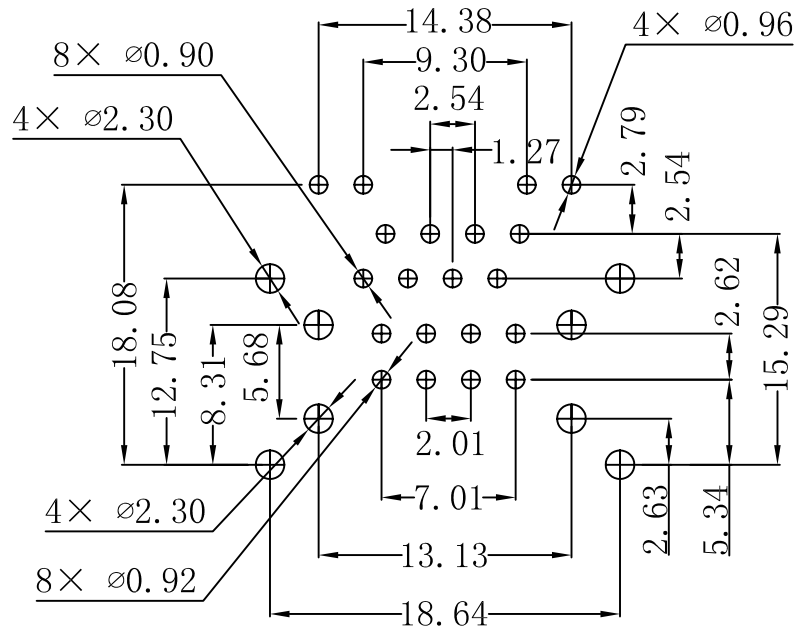
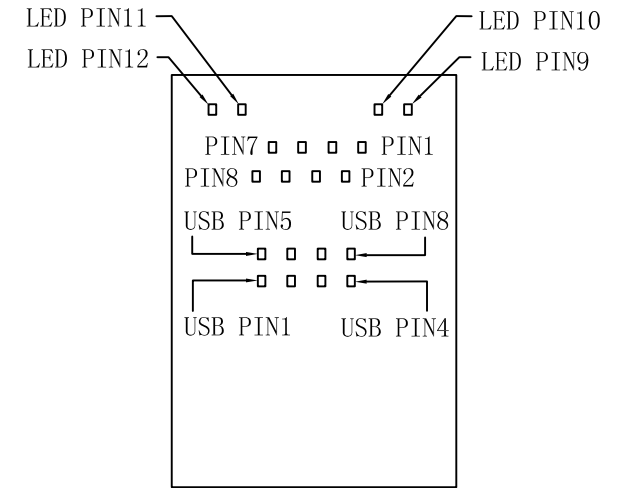
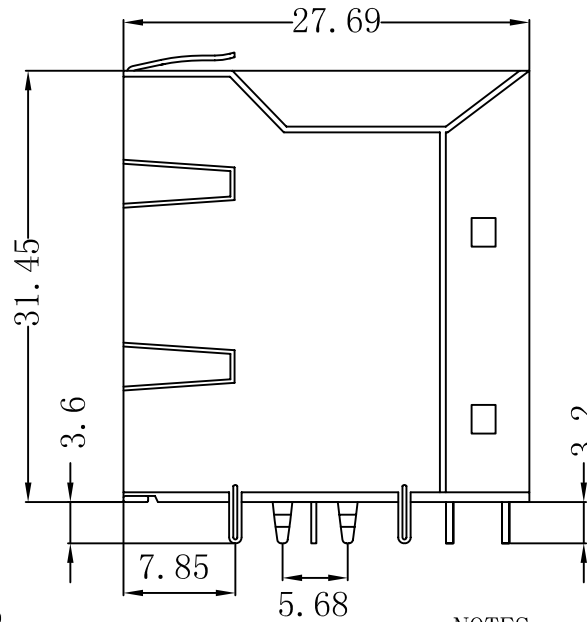
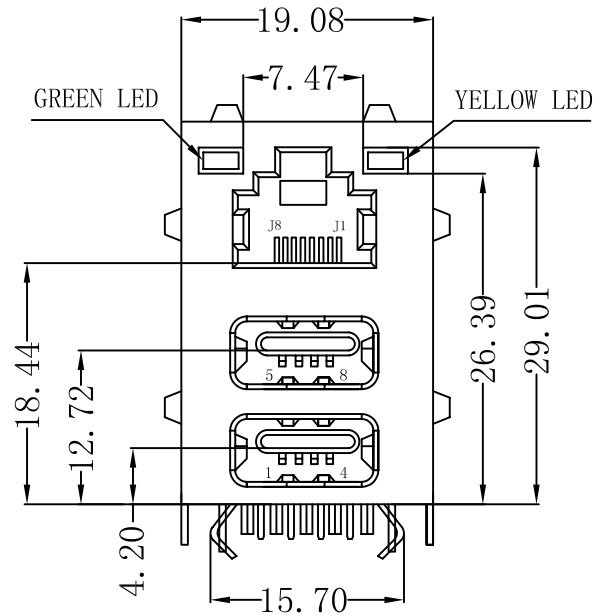
Electrical Specifications @25°C

- Turns Ratio ($\pm 3\%$):
TX=1CT:1CT RX=1CT:1CT
- Isolation Voltage:
1500Vrms (Input to Output)
- Insertion Loss:
-1.0dB MAX @ 300KHz TO 100MHz
- Return Loss:
-20dB TYP @ 30MHz
-15dB TYP @ 80MHz
- OCL:
350uH MIN @ 100KHz 100mV 8mADC
- Operating Temperature: -40~+85°C.

X:X	± 0.20	APPD:	LINK-PP INT'L TECHNOLOGY CO., LIMITED	
X:XX	± 0.10	CHKD:	TITLE: RJ45 10/100 BASE-TX JACK/Dual USB Combo	
X:XXX	± 0.05	DR: TOM	PART NO. : LPJU5421AHNL	
ANGLES	$\pm 1^\circ$	UNIT: mm	DWG NO. : LP09071302	
	SCALE: 2/1	SHEET: 1/2	REV: A	

Mechanical :

REV.	ECN NO.	DESCRIPTION	DATE	APPD
A	REL		13/07/2009	



SUGGESTED PCB LAYOUT (TOP VIEW)

NOTES:

1. Designed to support application, such as SOHO (ADSL modems), LAN-on-Motherboard (LOM), hub and Switches.
2. Meets IEEE 802.3 specification
3. Connector Materials:
 Housing: Thermoplastic UL94V-0
 Contact/Shield: Copper alloy
 Shield plating: Nickel
 RJ-45 Contact plating: Gold 6 micro-inches min.
 In contact area
 USB Contact plating: Gold Flash.
4. Wave peak temperature: 260°C, 5Sec.



X:X	±0.20	APPD:	LINK-PP INT'L TECHNOLOGY CO., LIMITED
X:XX	±0.10	CHKD:	
X:XXX	±0.05	DR: TOM	TITLE: RJ45 10/100 BASE-TX JACK/Dual USB Combo
ANGLES	±1°	UNIT: mm	PART NO.: LPJU5421AHNL
	SCALE: 2/1	SHEET: 2/2	REV: A DWG NO.: LP09071302