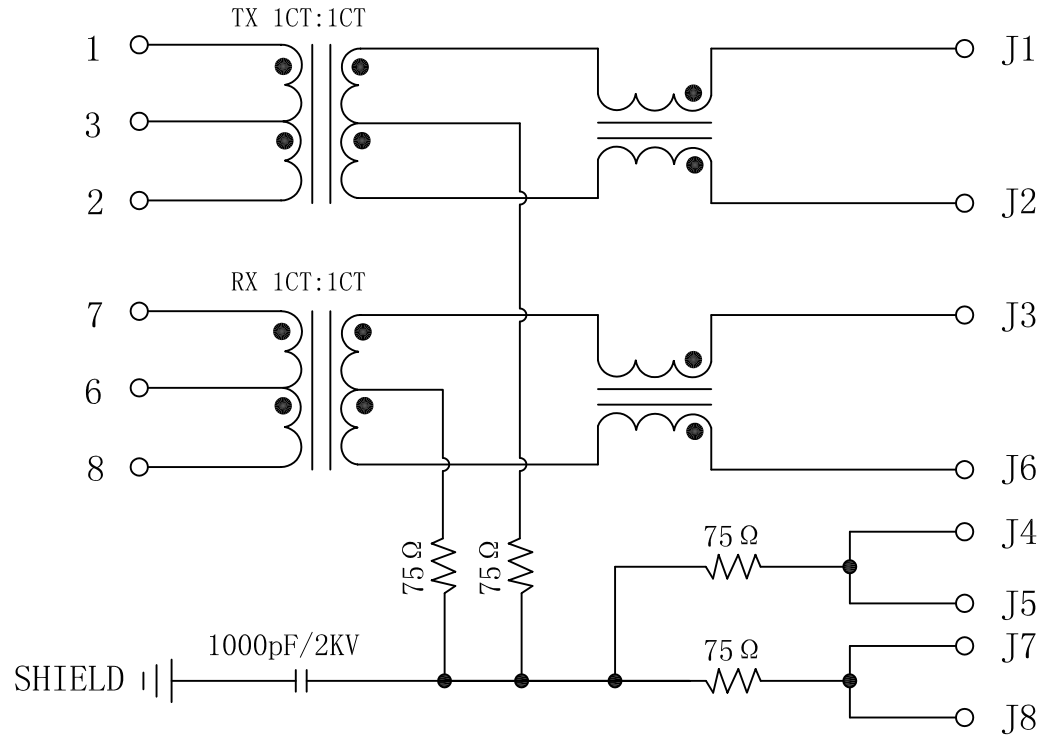


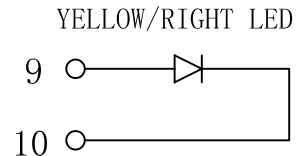
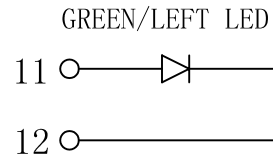
Schematic:

REV.	ECN NO.	DESCRIPTION	DATE	APPD
A	REL		17/11/2009	



Electrical Specification @25°C

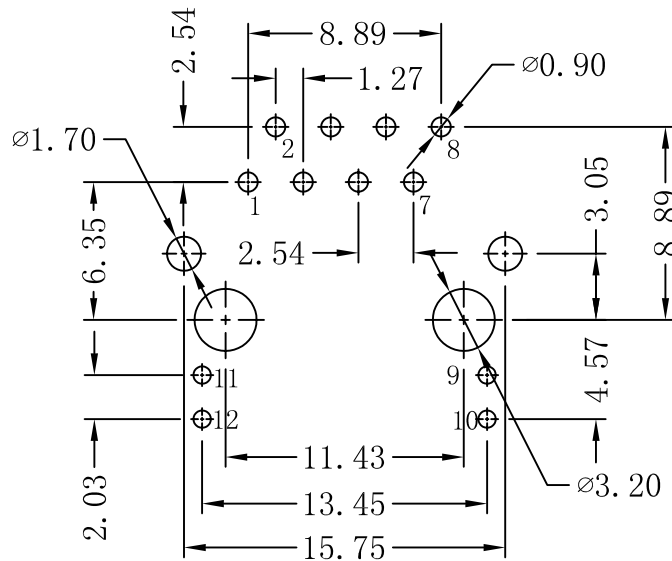
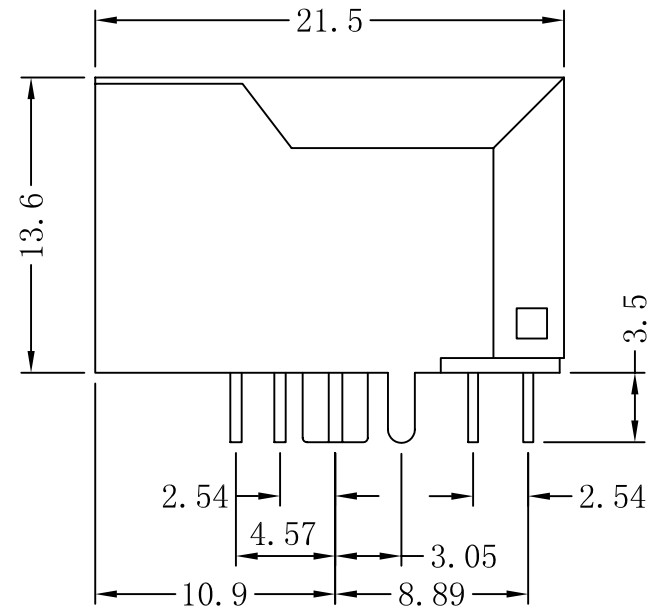
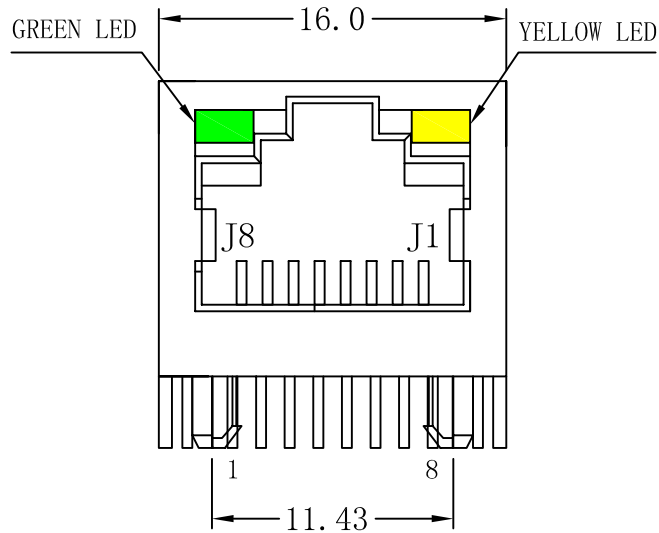
- Turns Ratio ($\pm 2\%$):
TX=1CT:1CT RX=1CT:1CT
- Inductance OCL: 350uH Min
@100KHz 0.1Vrms 8mADC bias current
- Insertion Loss:
0.3-65MHz:-1.2dB Max
- Return Loss(dB Min):
1-30MHz:-18 40MHz:-16
50MHz:-14 60-80MHz:-12
- Crosstalk:
0.3-80MHz:-30dB Min
- Common Mode Rejection:
1-150MHz:-50dB Min
- Isolation Voltage: 1500Vrms
- Operating Temperature: 0°C~70°C.



X:X	± 0.25	APPD:	LINK-PP INT'L TECHNOLOGY CO., LIMITED
X:XX	± 0.10	CHKD:	
X:XXX	± 0.05	DR: TOM	
ANGLES	$\pm 1^\circ$	UNIT: mm	TITLE: RJ45 Connector With 10/100 Base-TX Integrated Magnetic TAB-UP
			PART NO.: LPJ16117BENL
	SCALE: 2/1	SHEET: 1/2	REV: A DWG NO: LP09111702

Mechanical:

REV.	ECN NO.	DESCRIPTION	DATE	APPD
A	REL		17/11/2009	



SUGGESTED PCB LAYOUT (TOP VIEW)



NOTES:

1. Designed to support application, such as SOHO (ADSL modems), LAN-on-Motherboard (LOM), hub and Switches.
2. Meets IEEE 802.3 specification
3. Connector Materials:
Housing: Thermoplastic UL94V-0
Contact/Shield: Copper alloy
Shield plating: Nickel
Contact plating: Gold 6 micro-inches min. In contact area.
4. Wave solder tip temperature: 265°C Max
Wave solder tip temperature time: 5 Sec Max

X:X	±0.25	APPD:	LINK-PP INT'L TECHNOLOGY CO., LIMITED	
X:XX	±0.10	CHKD:	TITLE: RJ45 Connector With 10/100 Base-TX Integrated Magnetic TAB-UP	
X:XXX	±0.05	DR: TOM		
ANGLES	±1°	UNIT: mm	PART NO.: LPJ16117BENL	
	SCALE: 2/1	SHEET: 2/2	REV: A	DWG NO: LP09111702