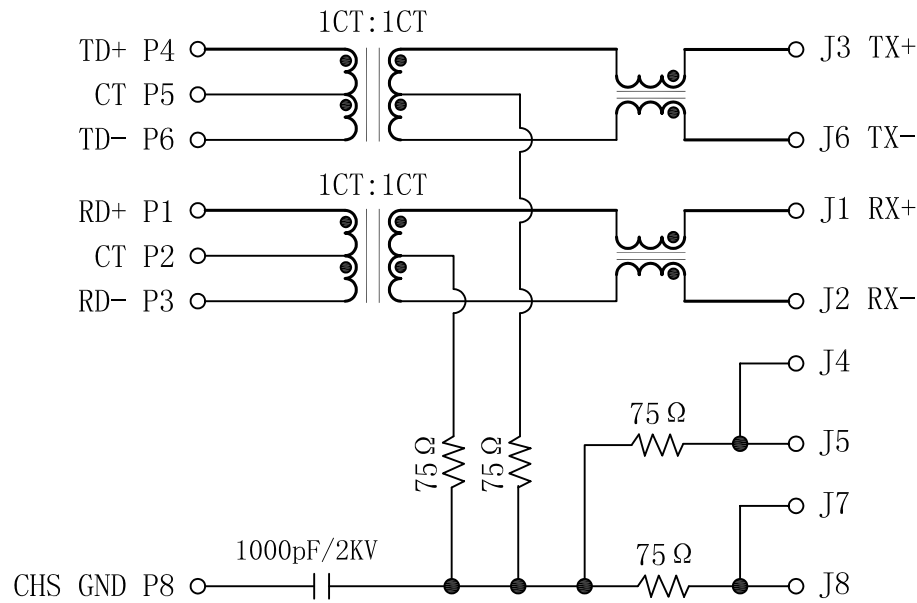


Schematic:

REV.	ECN NO.	DESCRIPTION	DATE	APPD
A	REL		14/01/2009	

PCB SIDE TO PHY



CABLE SIDE

Electrical Specifications @25°C

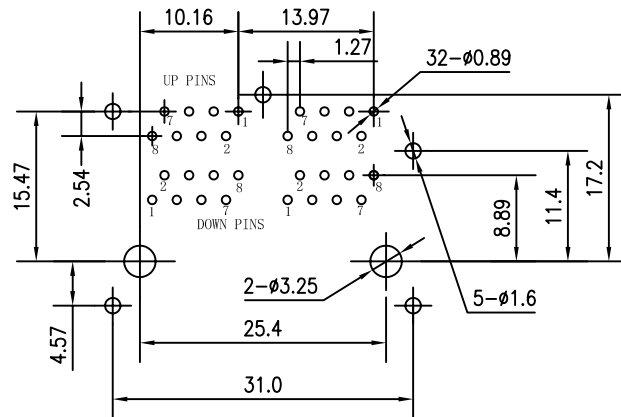
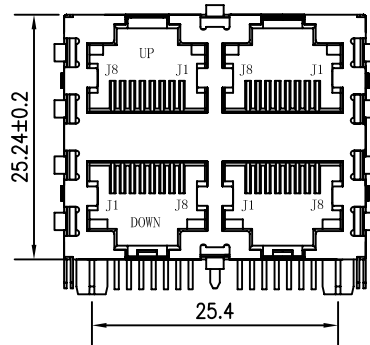
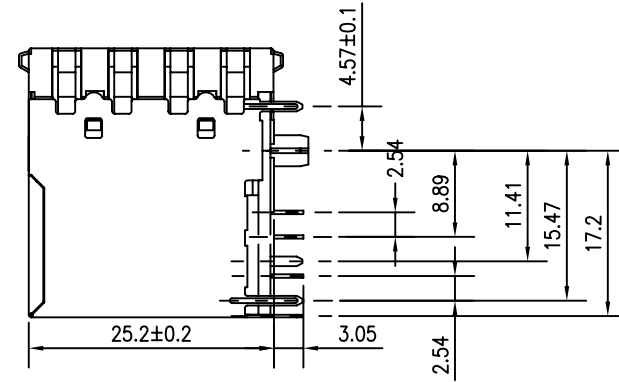
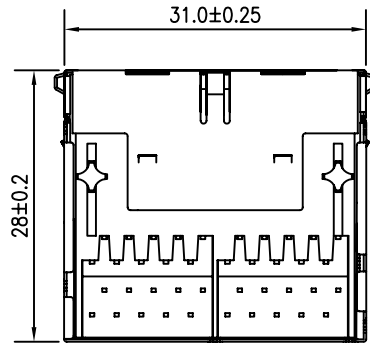
- Turns Ratio ($\pm 3\%$):
TX=1CT:1CT RX=1CT:1CT
- Inductance (@100KHz, 0.1V, 8mA DC BIAS):
350uH MIN
- Insertion Loss:
1-65MHz: -1.0dB MAX
- Return Loss ($100\ \Omega \pm 15\ \Omega$):
1-10MHz: -20dB MIN
10-30MHz: -16dB MIN
30-60MHz: -12dB MIN
60-80MHz: -12dB MIN
- Crosstalk:
1-30MHz: -40dB MIN
30-60MHz: -35dB MIN
60-100MHz: -30dB MIN
- Common Mode Rejection:
1-50MHz: -30dB MIN
50-150MHz: -20dB MIN
- Hipot: 1500Vrms
- Operating Temperature: 0~70°C.



X:X	± 0.20	APPD:	LINK-PP INT'L TECHNOLOGY CO., LIMITED	
X:XX	± 0.10	CHKD:	Title: RJ45 . Transformer. 10/100 Base-T . 2x2	
X:XXX	± 0.05	DR: TOM	PART NO. : LPJ27202CNL	
ANGLES	$\pm 1^\circ$	UNIT: mm		
	SCALE: 2/1	SHEET: 1/2	REV: A	DWG NO. : LP10040605

Mechanical :

REV.	ECN NO.	DESCRIPTION	DATE	APPD
A	REL		14/01/2009	



SUGGESTED PCB LAYOUT (TOP VIEW)

NOTES:

1. Designed to support application, such as SOHO (ADSL modems), LAN-on-Motherboard (LOM), hub and Switches.
2. Meets IEEE 802.3 specification
3. Connector Materials:
 Housing: Thermoplastic UL94V-0
 Contact/Shield: Copper alloy
 Shield plating: Nickel
 Contact plating: Gold 6 micro-inches min. In contact area.
4. Wave solder tip temperature: 265°C Max
 Wave solder tip temperature time: 5 Sec Max



X:X	±0.20	APPD:	LINK-PP INT'L TECHNOLOGY CO., LIMITED	
X:XX	±0.10	CHKD:	Title: RJ45 . Transformer. 10/100 Base-T . 2×2	
X:XXX	±0.05	DR: TOM	PART NO. : LPJ27202CNL	
ANGLES	±1°	UNIT: mm		
	SCALE: 2/1	SHEET: 2/2	REV: A	DWG NO. : LP10040605