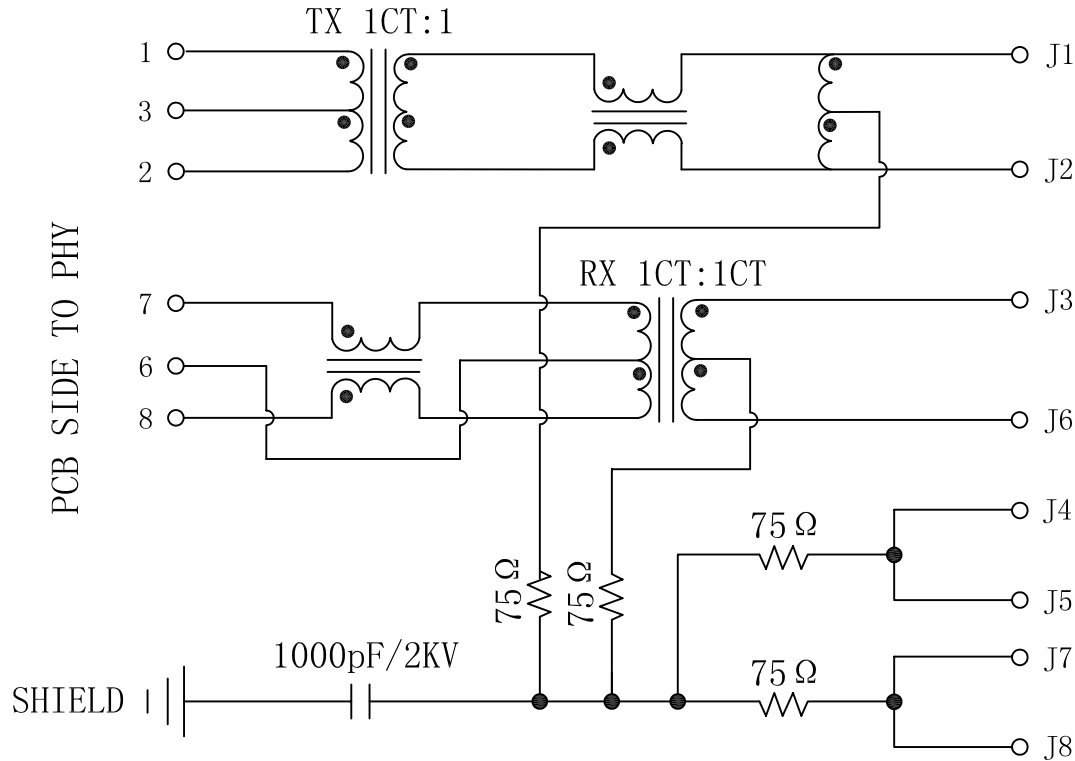


Schematic:

REV.	ECN NO.	DESCRIPTION	DATE	APPD
A	REL		25/12/2007	



ELECTRICAL SPECIFICATIONS @25°C

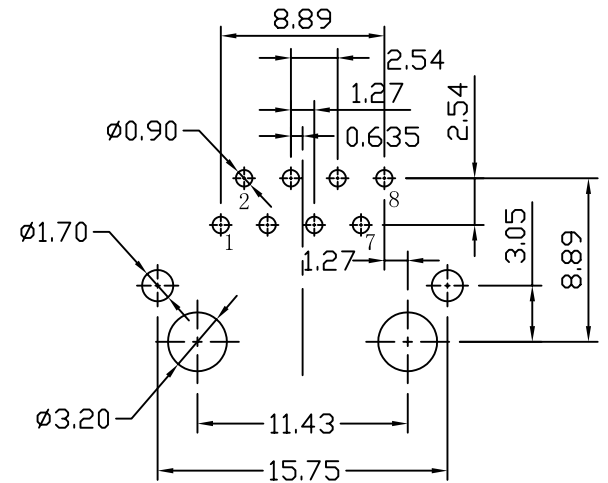
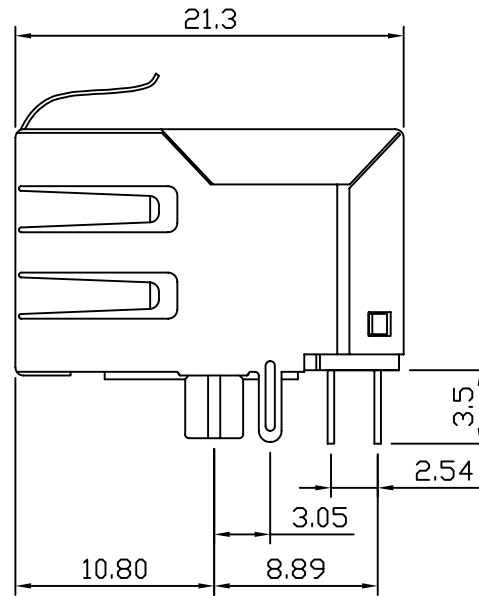
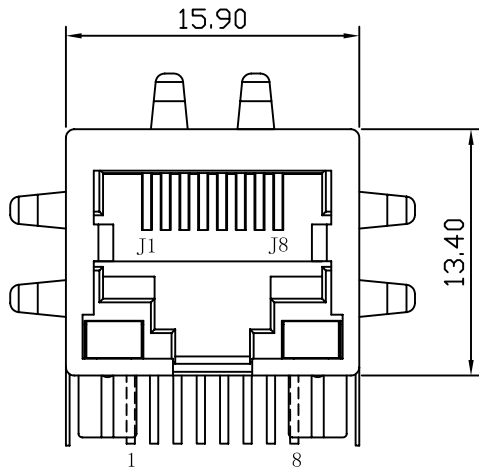
- Turn Ratio(±2%):  
TX=1CT:1      RX=1CT:1CT
- Inductance OCL:  
350uH MIN @100KHz/0.1V, 8mA DC Bias
- Insertion Loss:  
-1.0dB MAX @ 1.0-100MHz
- Return Loss:  
-18dB MIN @ 1-30MHz  
-16dB MIN @ 30-60MHz  
-12dB MIN @ 60-80MHz
- Cross talk:  
-35dB MIN @ 1-100MHz
- Common Mode Rejection:  
-30dB MIN @ 1-100MHz
- Hipot Test:1500Vrms MIN
- Operating Temperature Range:0°C TO 70°C



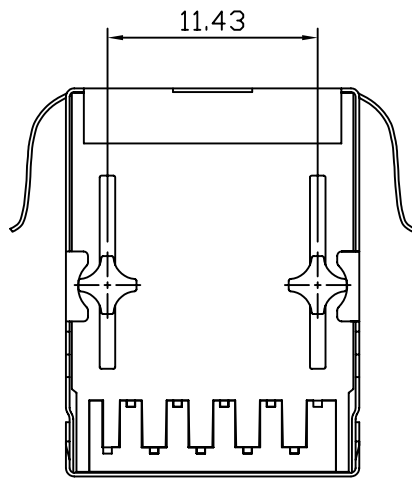
X:X ±0.25	APPD:	LINK-PP INT'L TECHNOLOGY CO., LIMITED		
X:XX ±0.20	CHKD:	TITLE: RJ45 Connector 10/100 Base-TX With Integrated Magnetics		
X:XXX ±0.05	DR: TOM	PART NO.: LPJ0025CNL		
ANGLES ±1°	UNIT: mm			
	SCALE: 2/1	SHEET: 1/2	REV: A	DWG NO.: LP07122511

Mechanical:

REV.	ECN NO.	DESCRIPTION	DATE	APPD
A	REL		25/12/2007	

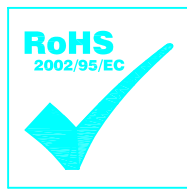


SUGGESTED PCB LAYOUT (TOP VIEW)



NOTES:

1. Designed to support application, such as SOHO (ADSL modems), LAN-on-Motherboard (LOM), hub and Switches.
2. Meets IEEE 802.3 specification
3. Connector Materials:  
 Housing: Thermoplastic UL94V-0  
 Contact/Shield: Copper alloy  
 Shield plating: Nickel  
 Contact plating: Gold 6 micro-inches min. In contact area.
4. Wave solder tip temperature: 265°C Max  
 Wave solder tip temperature time: 5 Sec Max



X:X ±0.25	APPD:	LINK-PP INT'L TECHNOLOGY CO., LIMITED
X:XX ±0.20	CHKD:	
X:XXX ±0.05	DR: TOM	TITLE: RJ45 Connector 10/100 Base-TX With Integrated Magnetics
ANGLES ±1°	UNIT: mm	PART NO.: LPJ0025CNL
	SCALE: 2/1	SHEET: 2/2
	REV: A	DWG NO.: LP07122511