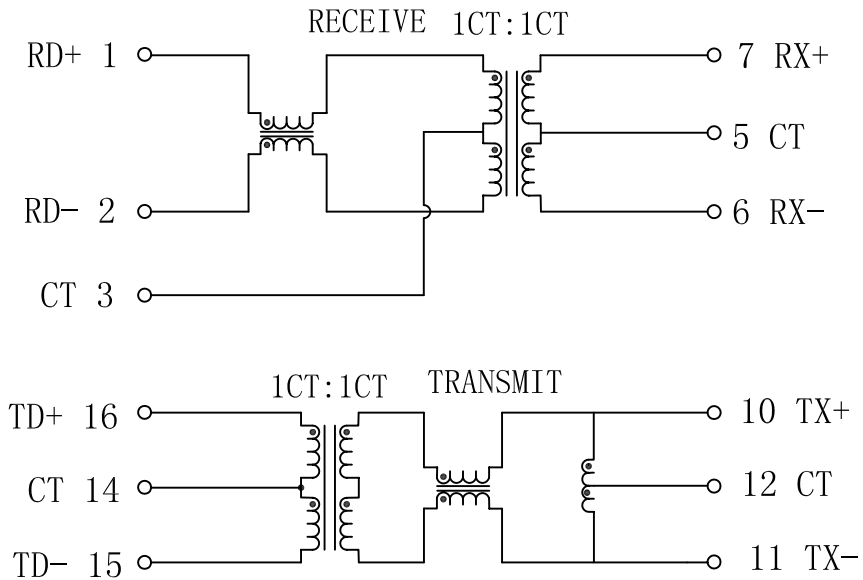


Schematic:

REV.	ECN NO.	DESCRIPTION	DATE	APPD
A	REL		11/12/2007	



Electrical Specifications @25°C

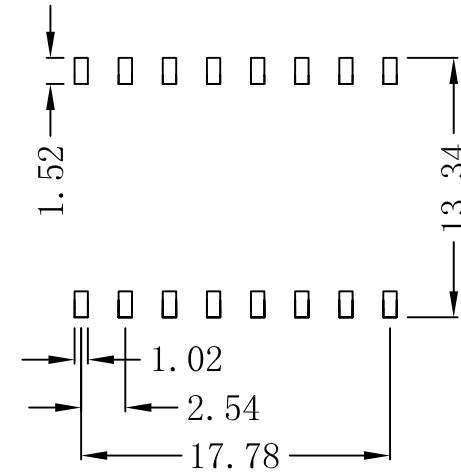
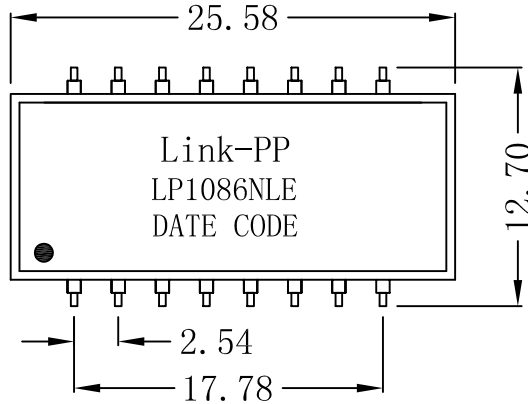
- Insertion Loss:
0.1-100MHz:-1.0dB MAX
- Return Loss (dB MIN @100Ω):
1-30MHz:-22 40MHz:-20
50MHz:-18 60-80MHz:-12
- Crosstalk (dB TYP):
30MHz:-50 60MHz:-40
100MHz:-40
- Differential to Common Mode Rejection:
30MHz:-42dB MIN 60MHz:-40dB MIN
100MHz:-35dB MIN
- Hipot: 1500Vrms MIN
- Operating Temperature: -40°C ~ +85°C.



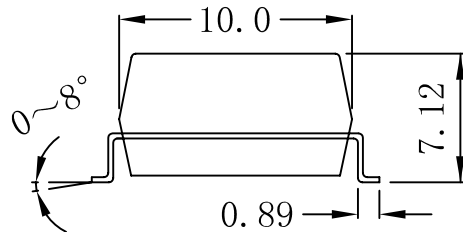
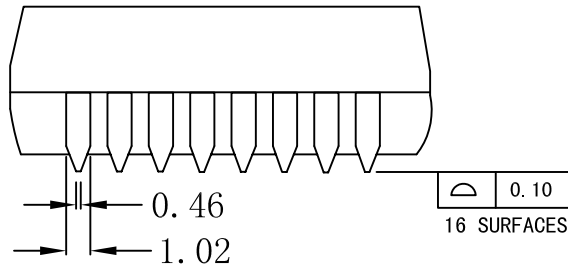
X:X	±0.20	APPD:	LINK-PP INT'L TECHNOLOGY CO., LIMITED	
X:XX	±0.10	CHKD:	Title: 10/100Base-T Single Port Transformer Modules	
X:XXX	±0.05	DR: TOM	PART NO.: LP1086NLE	
ANGLES	±1°	UNIT: mm		
	SCALE: 2/1	SHEET: 1/2	REV: A	DWG NO.:

Mechanical :

REV.	ECN NO.	DESCRIPTION	DATE	APPD
A	REL		11/12/2007	



SUGGESTED PAD LAYOUT



NOTES:

1. Designed to support application, such as SOHO (ADSL modems), LAN-on-Motherboard (LOM), hub and Switches.
2. With various Turns Ratios.
3. 350uH min OCL with 8mA bias current.
4. RoHS "NLE" peak solder rating 235°C.

X:X	±0.20	APPD:	LINK-PP INT'L TECHNOLOGY CO., LIMITED	
X:XX	±0.10	CHKD:	Title: 10/100Base-T Single Port Transformer Modules	
X:XXX	±0.05	DR: TOM	PART NO. : LP1086NLE	
ANGLES	±1°	UNIT: mm		
	SCALE: 2/1	SHEET: 2/2	REV: A	DWG NO. :