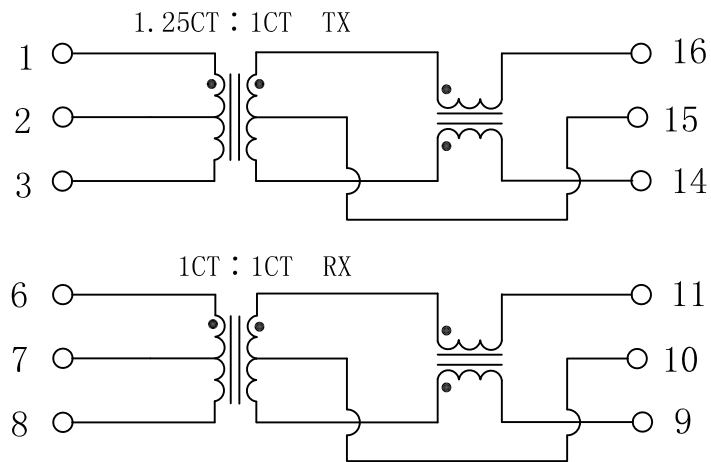


Schematic:

REV.	ECN NO.	DESCRIPTION	DATE	APPD
A	REL		19/01/2010	



Electrical Specifications @25°C

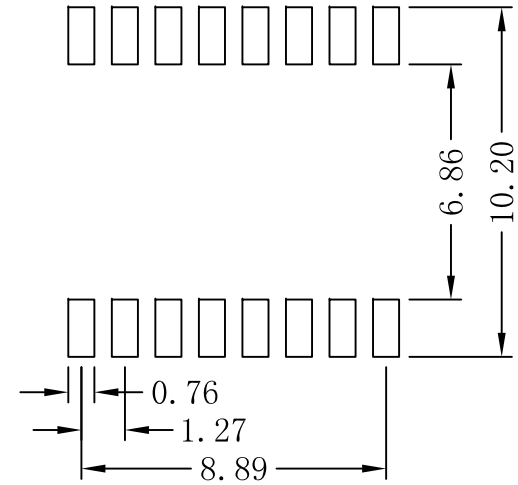
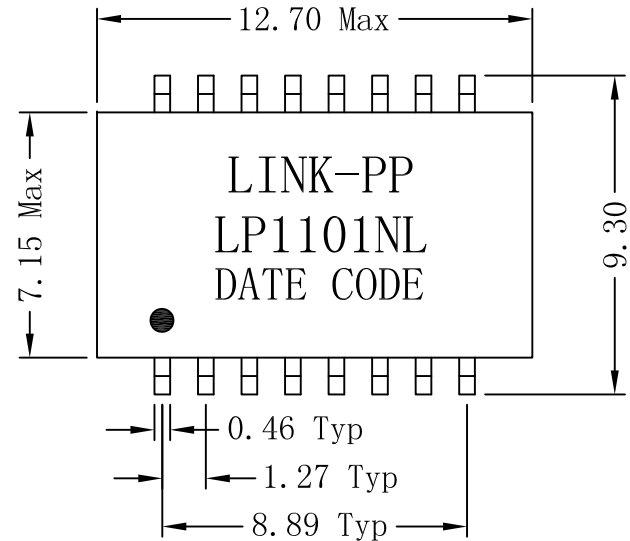
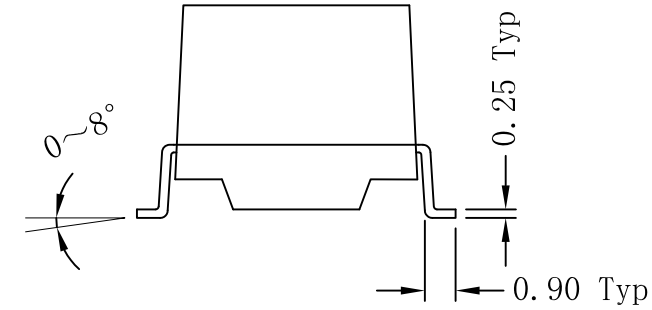
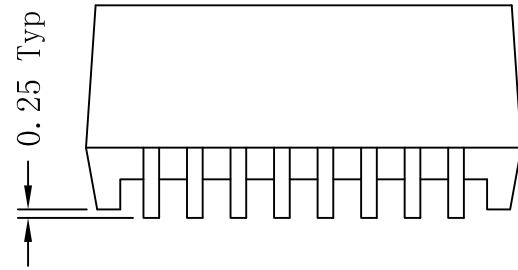
1. OCL: 350uH MIN
@100KHz, 0.1Vrms, 8mADC Bias
2. Turns Ratio:
TX=1.25CT : 1CT RX=1CT : 1CT
3. Insertion Loss:
0.1-100MHz:-1.1dB MAX
4. Return Loss(dB TYP):
30MHz:-20 60MHz:-14
80MHz:-11.5
5. Crosstalk(dB TYP):
30MHz:-45 60MHz:-40
100MHz:-35
6. DCMR(dB TYP):
30MHz:-42 50MHz:-37
100MHz:-33
7. Hipot: 1500Vrms MIN
8. Operating Temperature: 0°C~70°C.



X:X	APPD:	LINK-PP INT'L TECHNOLOGY CO., LIMITED		
X:XX	CHKD:	TITLE: 10/100 Base-T Single Port Transformer Modules		
X:XXX	DR: TOM	PART NO.: LP1101NL		
ANGLES ±1°	UNIT: mm			
	SCALE: 2/1	SHEET: 1/2	REV: A	DWG NO.: LP10011910

Mechanical:

REV.	ECN NO.	DESCRIPTION	DATE	APPD
A	REL		19/01/2010	



SUGGESTED PAD LAYOUT

Dimensions: mm
Unless otherwise specified, all tolerances are ± 0.25

NOTES:

1. Designed to support application, such as SOHO (ADSL modems), LAN-on-Motherboard (LOM), hub and Switches.
2. With various Turns Ratios.
3. RoHS "NL" peak solder rating $260^{\circ}\text{C} \pm 5^{\circ}\text{C}$.



X:X	APPD:	LINK-PP INT'L TECHNOLOGY CO., LIMITED		
X:XX	CHKD:	TITLE: 10/100 Base-T Single Port Transformer Modules		
X:XXX	DR: TOM	PART NO.: LP1101NL		
ANGLES $\pm 1^{\circ}$	UNIT: mm	SCALE: 2/1	SHEET: 2/2	REV: A DWG NO.: LP10011910