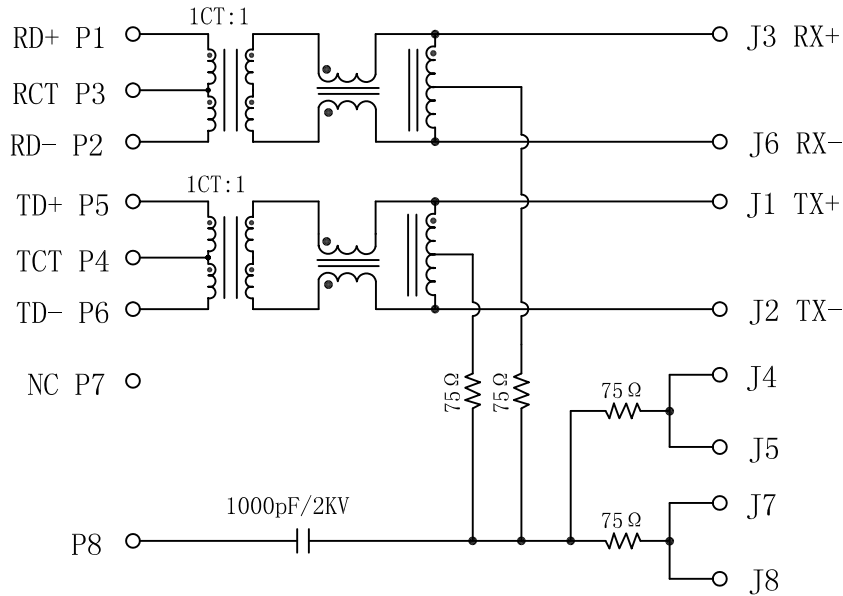


Schematic:

REV.	ECN NO.	DESCRIPTION	DATE	APPD
A	REL		2011/04/29	

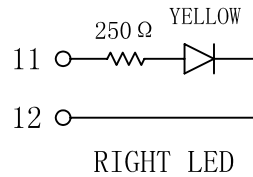
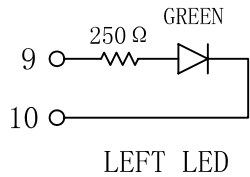
PCB SIDE TO PHY



CABLE SIDE

Electrical Specifications @25°C

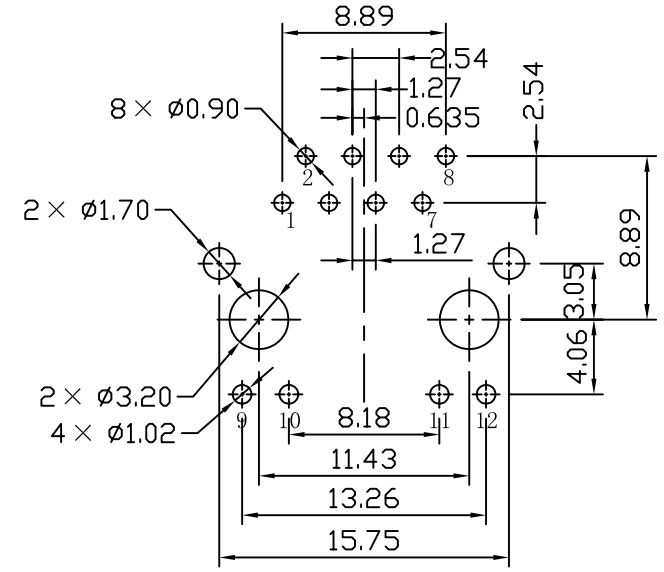
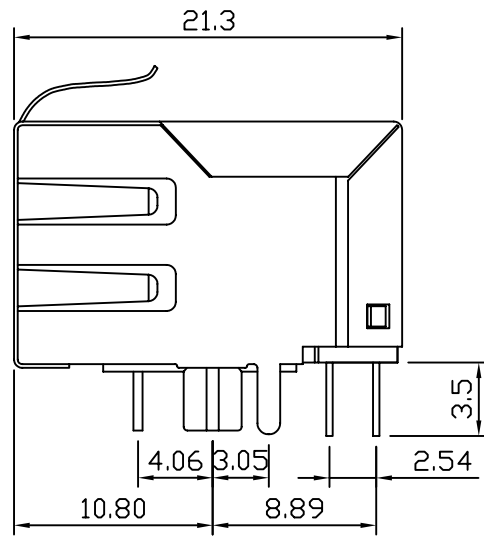
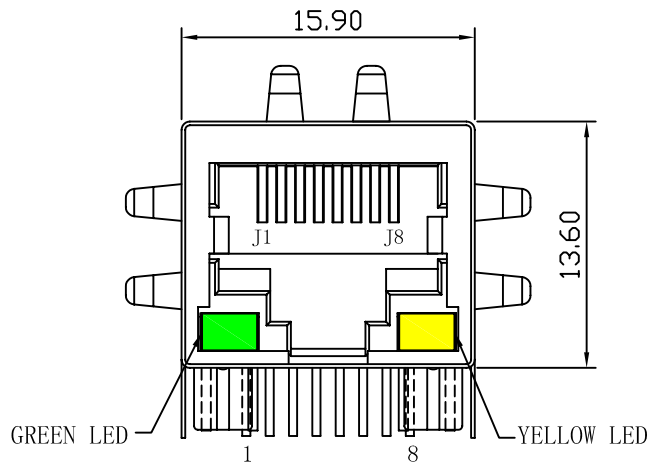
- Turns Ratio ($\pm 2\%$):
TX=1CT:1 RX=1CT:1
- Inductance: 350uH Min
@ 100KHz, 100mVrms, 8mA DC Bias
- Insertion Loss:
0.5-100MHz: -1.1dB Max
- Return Loss (dB Min):
0.5-30MHz: -18
30.1-60MHz: -[18-20*LOG(f/30)]
60.1-80MHz: -12
- Crosstalk (dB Min):
0.5-40MHz: -35
40.1-100MHz: -[33-20*LOG(f/50)]
- Common Mode Rejection Ratio (CMRR):
0.5-100MHz: -30dB Min
- Hipot: 1500Vrms Min
- Operating Temperature: 0°C ~ 70°C.



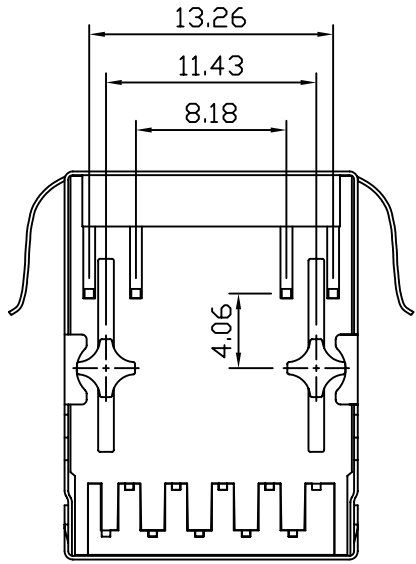
X:X ±0.30	APPD:	LINK-PP INT'L TECHNOLOGY CO., LIMITED
X:XX ±0.20	CHKD:	
X:XXX ±0.05	DR: TOM	TITLE: RJ45 Connector with 10/100 Base-TX Integrated Magnetics
ANGLES ±1°	UNIT: mm	PART NO.: LPJ0183G28NL
	SCALE: 2/1	SHEET: 1/2
	REV: A	DWG NO.: LP11042901

Mechanical:

REV.	ECN NO.	DESCRIPTION	DATE	APPD
A	REL		2011/04/29	



SUGGESTED PCB LAYOUT (TOP VIEW)



NOTES:

1. Designed to support application, such as SOHO (ADSL modems), LAN-on-Motherboard (LOM), hub and Switches.
2. Meets IEEE 802.3 specification
3. Connector Materials:
 Housing: Thermoplastic UL94V-0
 Contact/Shield: Copper alloy
 Shield plating: Nickel
 Contact plating: Gold 6 micro-inches min. In contact area.
4. Wave solder tip temperature: 265°C Max
 Wave solder tip temperature time: 5 Sec Max



X:X ±0.30	APPD:	LINK-PP INT'L TECHNOLOGY CO., LIMITED
X:XX ±0.20	CHKD:	
X:XXX ±0.05	DR: TOM	
ANGLES ±1°	UNIT: mm	TITLE: RJ45 Connector with 10/100 Base-TX Integrated Magnetics
		PART NO.: LPJ0183G28NL
	SCALE: 2/1	SHEET: 2/2
	REV: A	DWG NO.: LP11042901