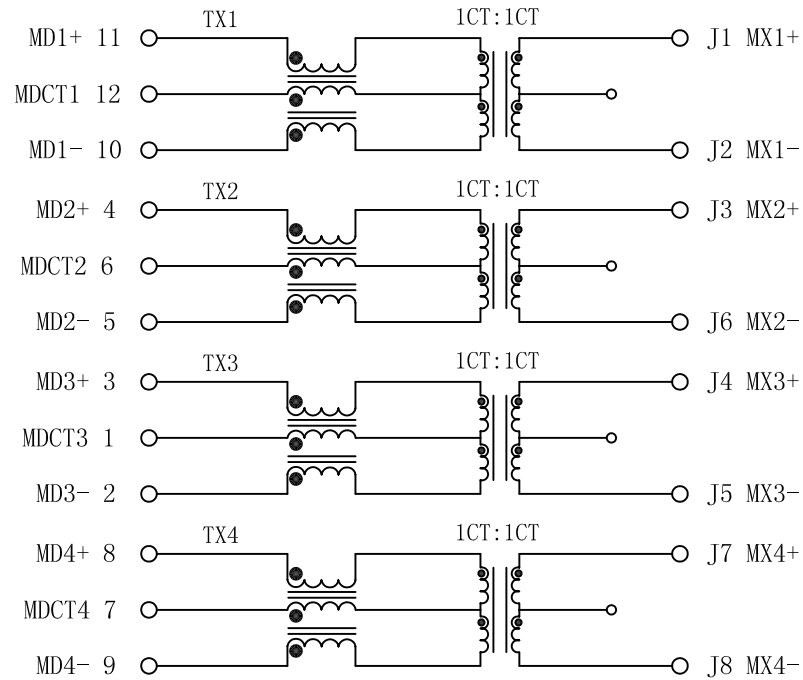


Schematic:

REV.	ECN NO.	DESCRIPTION	DATE	APPD
A	REL		13/10/2007	

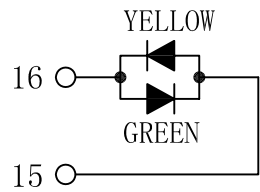
PCB SIDE



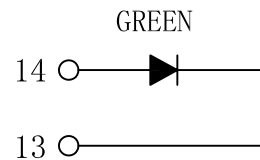
CABLE SIDE

Electrical Specifications @25°C

- 350uH min OCL with 8mA bias current.
- Turns Ratio ($\pm 2\%$):
TX=1CT:1CT RX=1CT:1CT
- Insertion Loss:
1~100MHz:-1.0dB max
- Return Loss (dB min):
1~10MHz:-20 30MHz:-16
60~80MHz:-12 80~100MHz:-10
- Crosstalk (dB min):
1~10MHz:-40 32~65MHz:-35
65~100MHz:-30
- CMR (dB min):
1~125MHz:-30 125~500MHz:-20
- Hi-Pot: 1500V
- Operating Temperature: 0°C ~ 70°C



LEFT LED



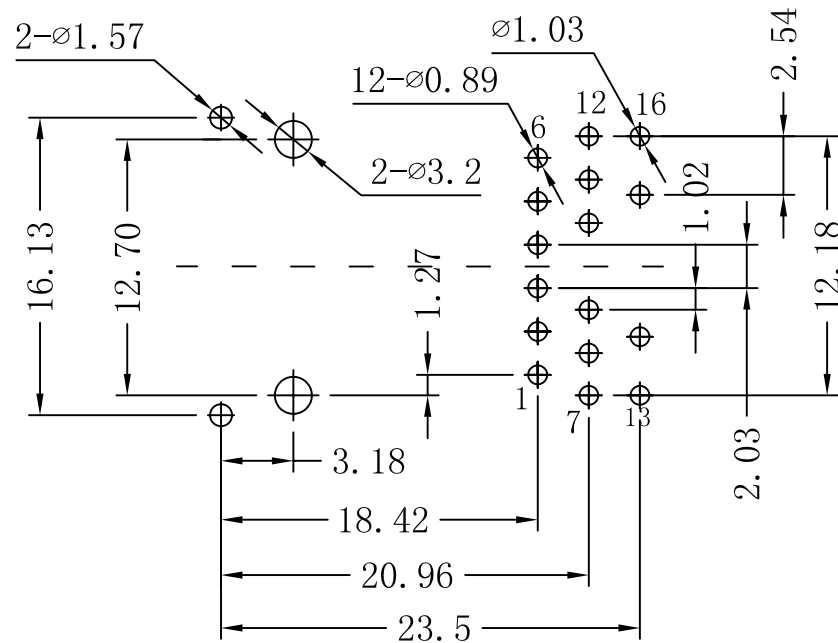
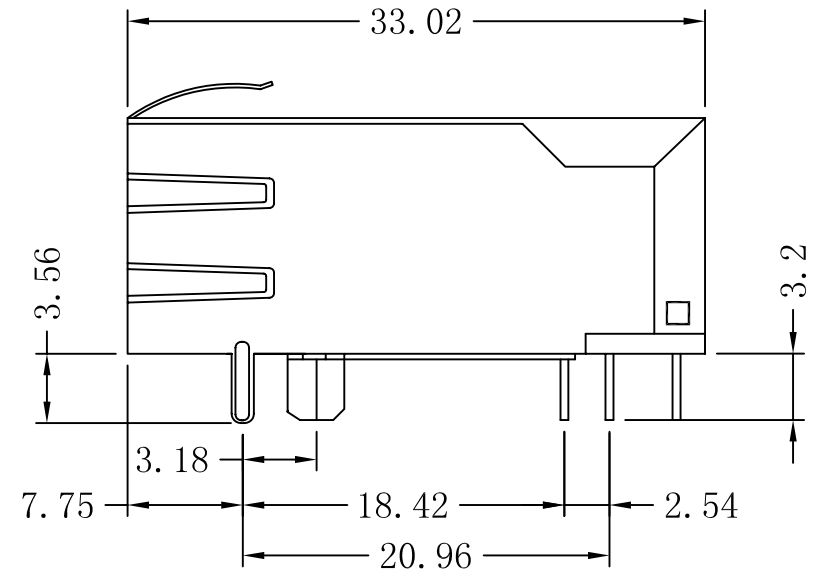
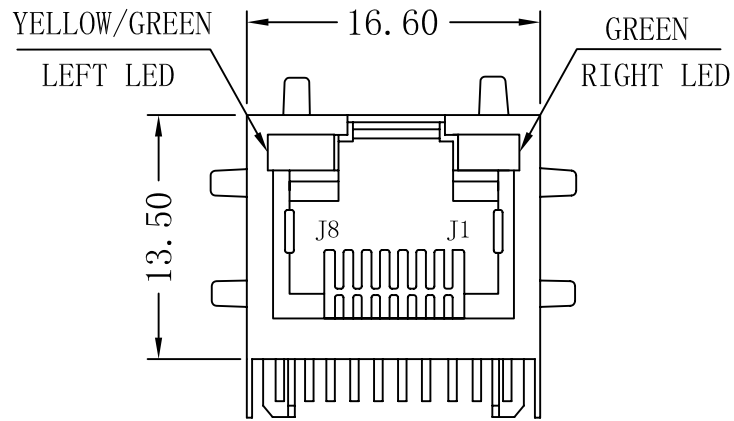
RIGHT LED



X:X	± 0.20	APPD:	LINK-PP INT'L TECHNOLOGY CO., LIMITED	
X:XX	± 0.10	CHKD:	TITLE: RJ45 Connector with 1000 Base-TX Integrated Magnetic	
X:XXX	± 0.05	DR: TOM	PART NO.: LPJK0014AINL	
ANGLES	$\pm 1^\circ$	UNIT: mm		
	SCALE: 2/1	SHEET: 1/2	REV: A	DWG NO.:

Mechanical:

REV.	ECN NO.	DESCRIPTION	DATE	APPD
A	REL		13/10/2007	



SUGGESTED PCB LAYOUT (TOP VIEW)

NOTES:

1. Designed to support application, such as SOHO (ADSL modems), LAN-on-Motherboard (LOM), hub and Switches.
2. Meets IEEE 802.3 specification
3. Connector Materials:
 Housing: Thermoplastic UL94V-0
 Contact/Shield: Copper alloy
 Shield plating: Nickel
 Contact plating: Gold 6 micro-inches min. In contact area.
4. Wave solder tip temperature: 265°C Max
 Wave solder tip temperature time: 5 Sec Max



X:X	± 0.20	APPD:	LINK-PP INT'L TECHNOLOGY CO., LIMITED
X:XX	± 0.10	CHKD:	
X:XXX	± 0.05	DR: TOM	TITLE: RJ45 Connector with 1000 Base-TX Integrated Magnetic
ANGLES	$\pm 1^\circ$	UNIT: mm	PART NO.: LPJK0014AINL
	SCALE: 2/1	SHEET: 2/2	REV: A DWG NO.: