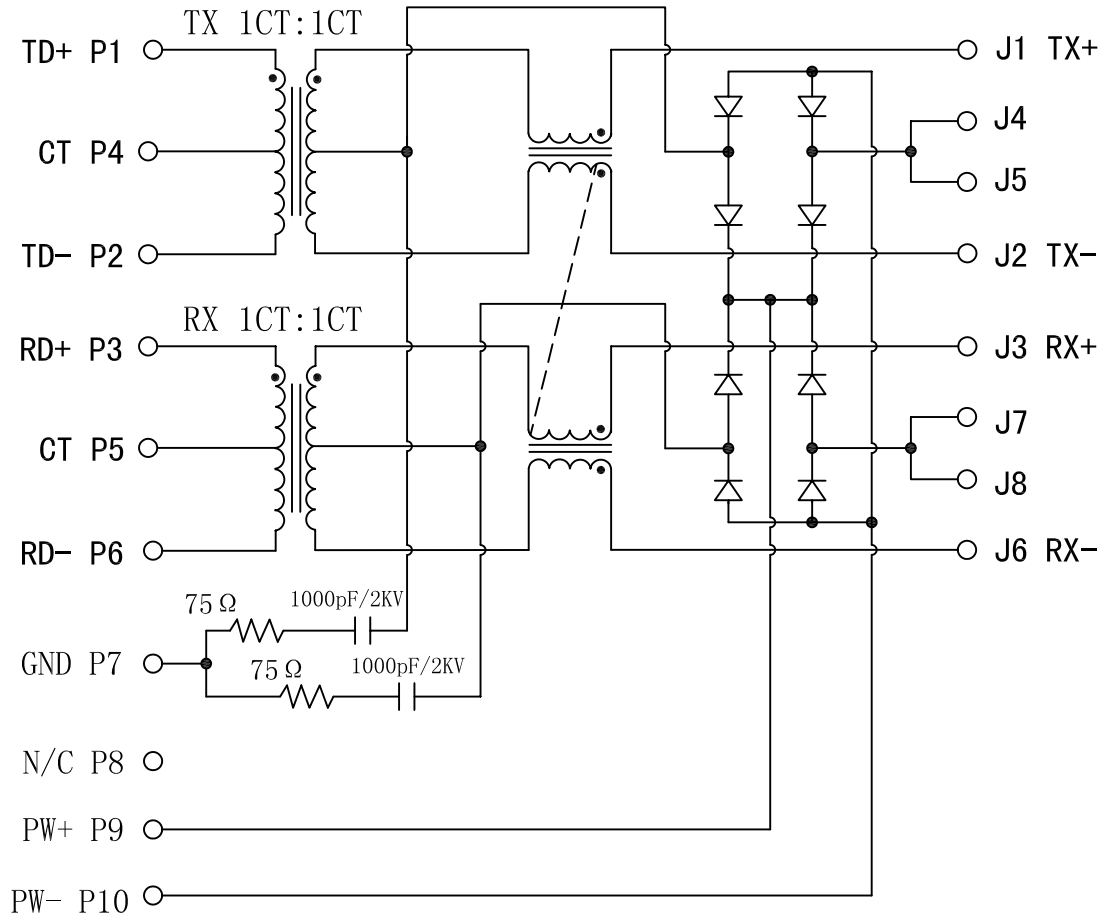


Schematic:

REV.	ECN NO.	DESCRIPTION	DATE	APPD
A	REL		2010/06/28	

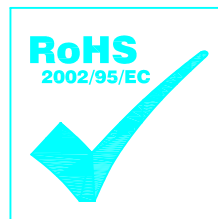
PCB

CABLE



ELECTRICAL SPECIFICATIONS @25°C

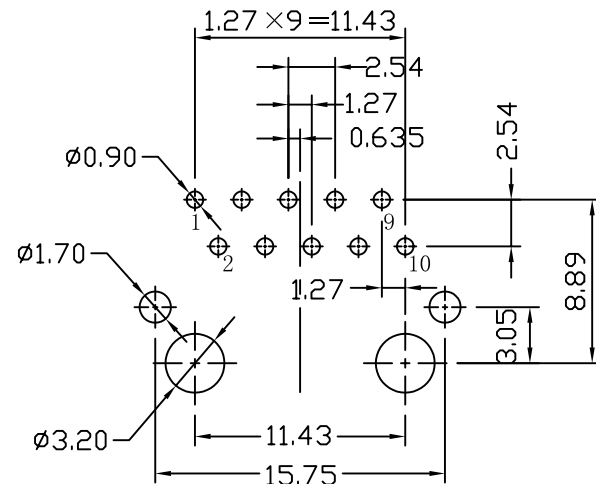
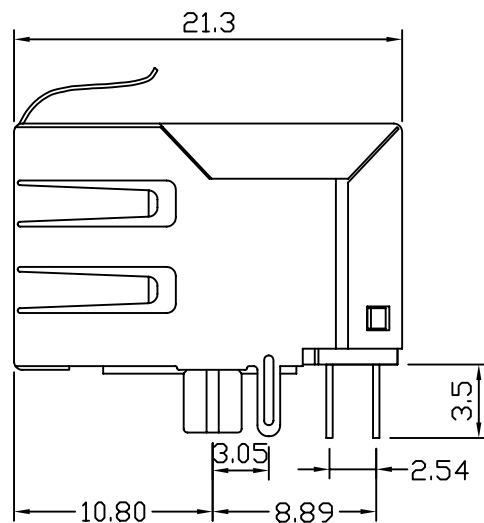
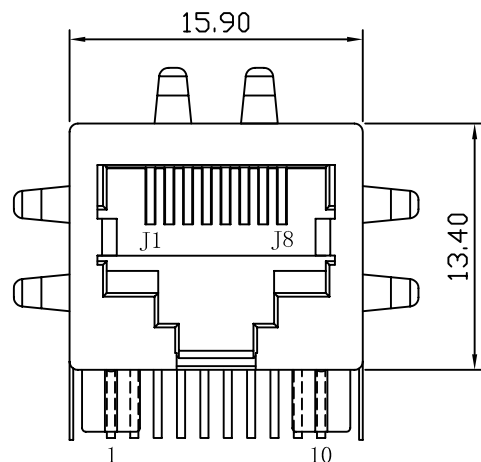
- Turn Ratio: 1CT:1CT $\pm 3\%$
(P1-P2: J1-J2)
(P3-P6: J3-J6)
- OCL (100KHz, 0.1Vrms, 8mA):
(P1-P2, P3-P6) 350uH Min
- DCR:
(P1-P2, P3-P6) 0.9 OHMS Max
- Insertion Loss:
0.1-100MHz: -1.1dB Max
- Return Loss:
0.5-30MHz: -18dB Min
40MHz: -15.5dB Min
50MHz: -13.6dB Min
60-80MHz: -12dB Min
- Cross talk:
1-100MHz: -38dB Typ
- Common Mode Rejection:
0.1-30MHz: -50dB Typ
30-60MHz: -40dB Typ
60-100MHz: -30dB Typ
- Isolation: 1500Vrms
- Operating Temperature: -40°C TO +85°C.



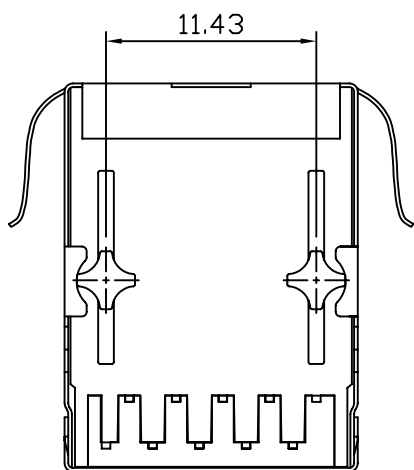
X:X ± 0.25	APPD:	LINK-PP INT'L TECHNOLOGY CO., LIMITED		
X:XX ± 0.10	CHKD:	TITLE: RJ45 Connector with 10/100 Base-TX Integrated Magnetics		
X:XXX ± 0.05	DR: TOM	PART NO.: LPJ4112CNL		
ANGLES $\pm 1^\circ$	UNIT: mm			
	SCALE: 2/1	SHEET: 1/2	REV: A	DWG NO.: LP10120707

Mechanical:

REV.	ECN NO.	DESCRIPTION	DATE	APPD
A	REL		2010/06/28	

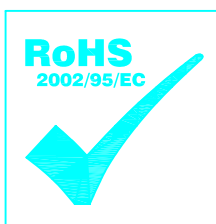


SUGGESTED PCB LAYOUT (TOP VIEW)



NOTES:

1. Designed to support application, such as SOHO (ADSL modems), LAN-on-Motherboard (LOM), hub and Switches.
2. Meets IEEE 802.3 specification
3. Connector Materials:
 Housing: Thermoplastic UL94V-0
 Contact/Shield: Copper alloy
 Shield plating: Nickel
 Contact plating: Gold 6 micro-inches min. In contact area.
4. Wave solder tip temperature: 265°C Max
 Wave solder tip temperature time: 5 Sec Max



X:X ±0.25	APPD:	LINK-PP INT'L TECHNOLOGY CO., LIMITED
X:XX ±0.10	CHKD:	
X:XXX ±0.05	DR: TOM	TITLE: RJ45 Connector with 10/100 Base-TX Integrated Magnetics
ANGLES ±1°	UNIT: mm	PART NO.: LPJ4112CNL
	SCALE: 2/1	SHEET: 2/2
	REV: A	DWG NO.: LP10120707