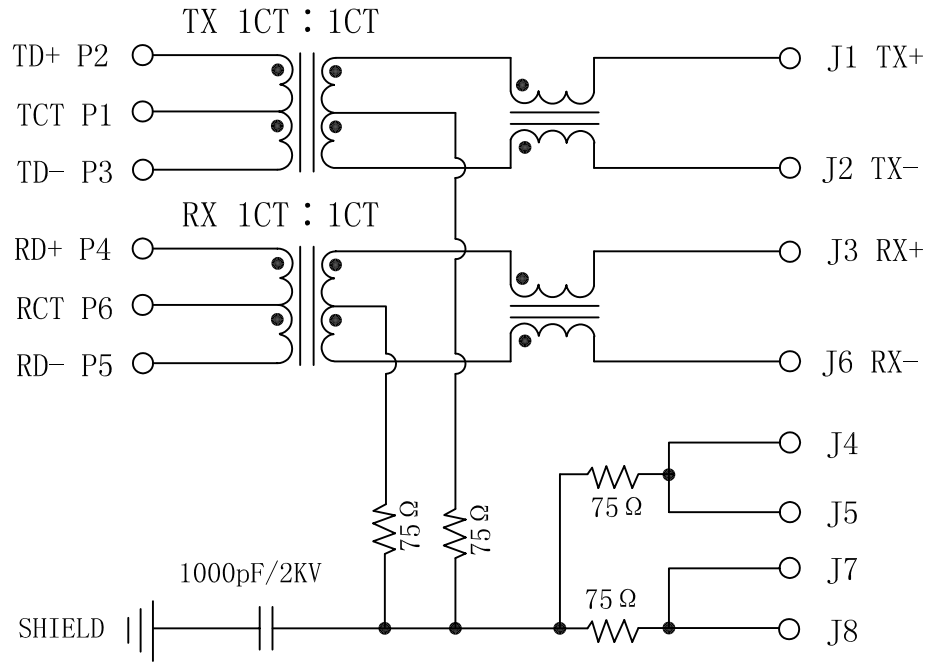


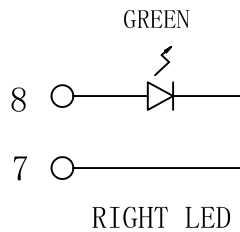
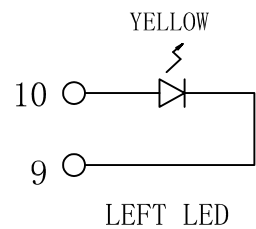
# Schematic:

REV.	ECN NO.	DESCRIPTION	DATE	APPD
A	REL		2012/11/09	



## Electrical Specifications @25°C

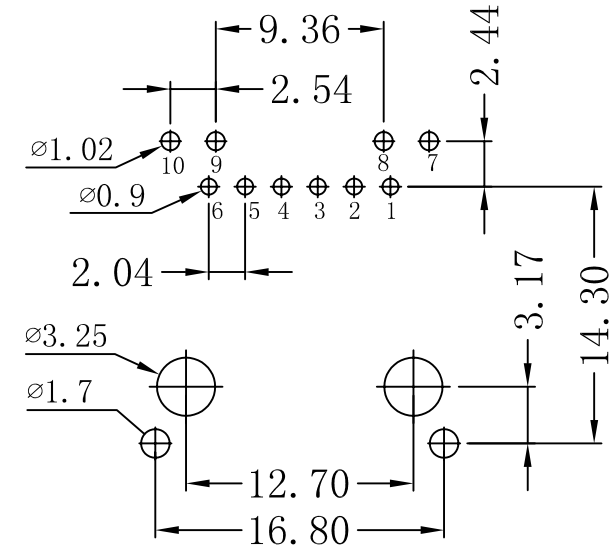
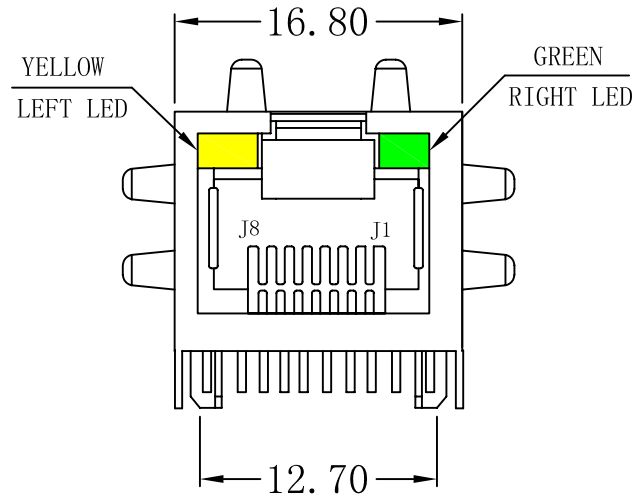
- Turns Ratio ( $\pm 2\%$ ):  
TX=1CT : 1CT      RX=1CT : 1CT
- Inductance (100KHz/0.1V@8mA):  
350uH MIN
- Insertion Loss:  
0.1-100MHz: -1.0dB MAX
- Return Loss (dB MIN):  
1-30MHz: -20  
30-60MHz: -15  
60-80MHz: -10
- Crosstalk (dB MIN):  
1-30MHz: -20  
30-60MHz: -15  
60-100MHz: -30
- Common To Common Mode Rejection:  
1-100MHz: -30dB MIN
- Hi-Pot: 1500VAC FOR 60 SECONDS MIN
- Operating Temperature Range: 0°C ~ 70°C.



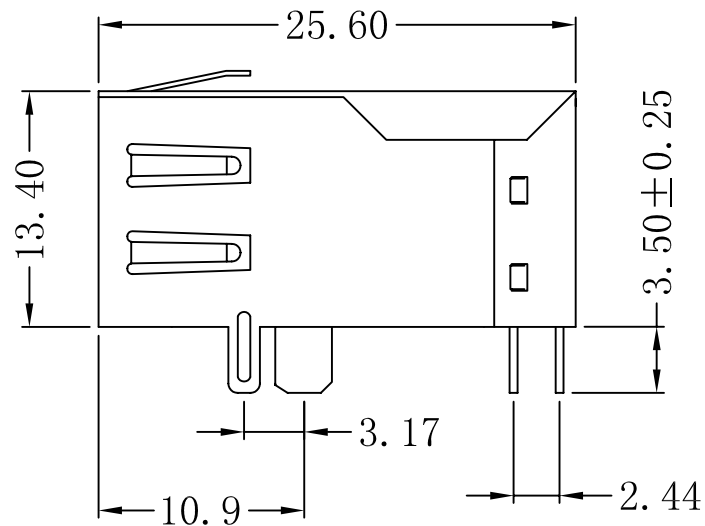
X:X	$\pm 0.20$	APPD:	LINK-PP INT'L TECHNOLOGY CO., LIMITED
X:XX	$\pm 0.10$	CHKD:	
X:XXX	$\pm 0.05$	DR: TOM	
ANGLES	$\pm 1^\circ$	UNIT: mm	TITLE: RJ45 Connector with 10/100 Base-TX Integrated Magnetic
			PART NO.: LPJ2011KGNL
	SCALE: 2/1	SHEET: 1/2	REV: A
			DWG NO.: LP12110905

# Mechanical:

REV.	ECN NO.	DESCRIPTION	DATE	APPD
A	REL		2012/11/09	



SUGGESTED PCB LAYOUT (TOP VIEW)



## NOTES:

1. Designed to support application, such as SOHO (ADSL modems), LAN-on-Motherboard (LOM), hub and Switches.
2. Meets IEEE 802.3 specification
3. Connector Materials:  
 Housing: Thermoplastic UL94V-0  
 Contact/Shield: Copper alloy  
 Shield plating: Nickel  
 Contact plating: Gold 6 micro-inches min. In contact area.
4. Wave solder tip temperature: 265°C Max  
 Wave solder tip temperature time: 5 Sec Max



X:X	±0.20	APPD:	LINK-PP INT'L TECHNOLOGY CO., LIMITED
X:XX	±0.10	CHKD:	
X:XXX	±0.05	DR: TOM	TITLE: RJ45 Connector with 10/100 Base-TX Integrated Magnetic
ANGLES	±1°	UNIT: mm	PART NO.: LPJ2011KGNL
	SCALE: 2/1	SHEET: 2/2	REV: A
			DWG NO.: LP12110905