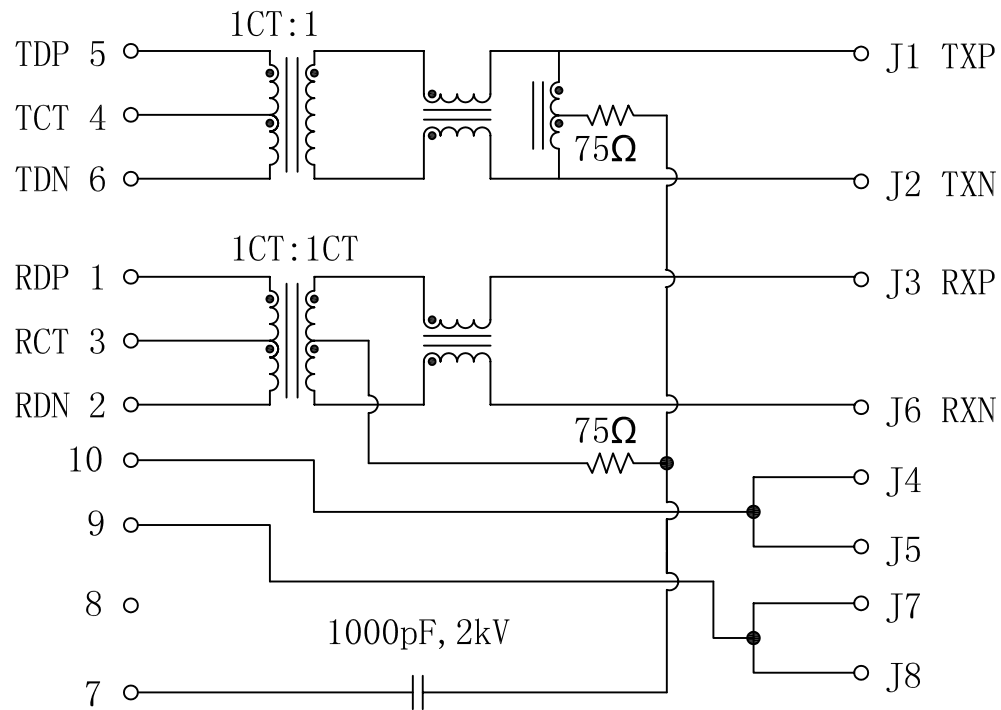


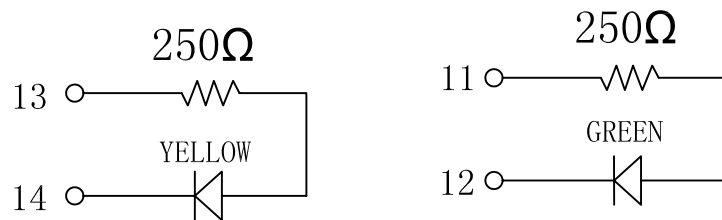
# Schematic:

REV.	ECN NO.	DESCRIPTION	DATE	APPD
A	REL		18/12/2008	



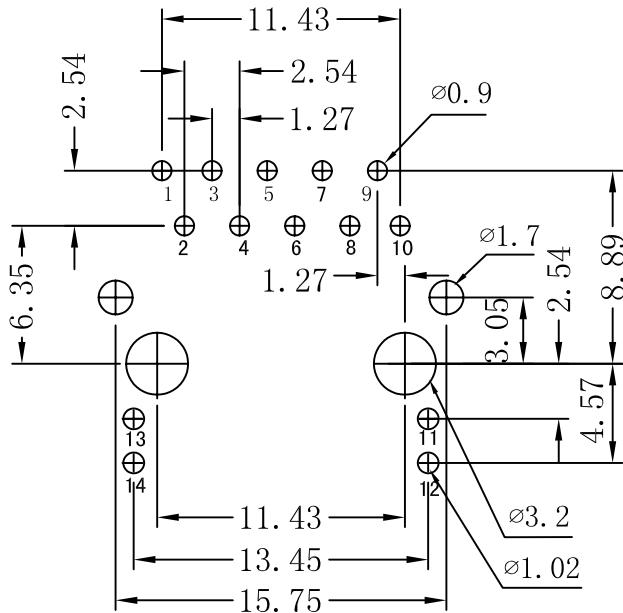
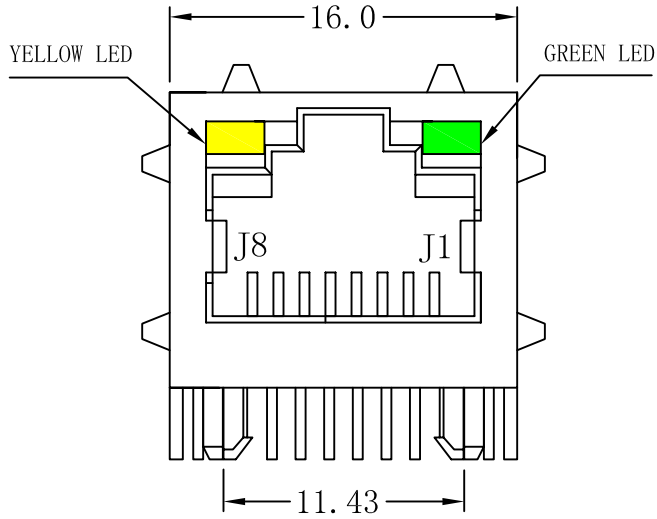
Electrical Specifications: @25°C

1. Impedance: 100 OHMS
2. Turns Ratio:  
TX=1CT:1 RX=1CT:1CT
3. Inductance OCL: 350uH Min  
@100KHz, 0.1Vrms, 8mA DC Bias.
4. Insertion Loss:  
0.5MHz-100MHz: -1.1dB Max
5. Return Loss(dB Min):  
0.5-30MHz: -18  
30.1-60MHz: -[16-20log(f/30)]  
60.1-80MHz: -12
6. Crosstalk(dB Min):  
0.5-40MHz: -35  
40.1-100MHz: -[33-20log(f/50)]
7. Common Mode Rejection Ratio:  
0.5-100MHz: -30dB Min
8. Isolation Voltage: 1500Vrms
9. Operating Temperature: 0°C ~ 70°C.



X:X	±0.20	APPD:	LINK-PP INT'L TECHNOLOGY CO., LIMITED	
X:XX	±0.10	CHKD:	Title: RJ45 Connector With 10/100 Base-TX Integrated Magnetic	
X:XXX	±0.05	DR: TOM		
ANGLES	±1°	UNIT: mm	PART NO.: LPJ16205A42NL	
	SCALE: 2/1	SHEET: 1/2	REV: A	DWG NO: LP08121802

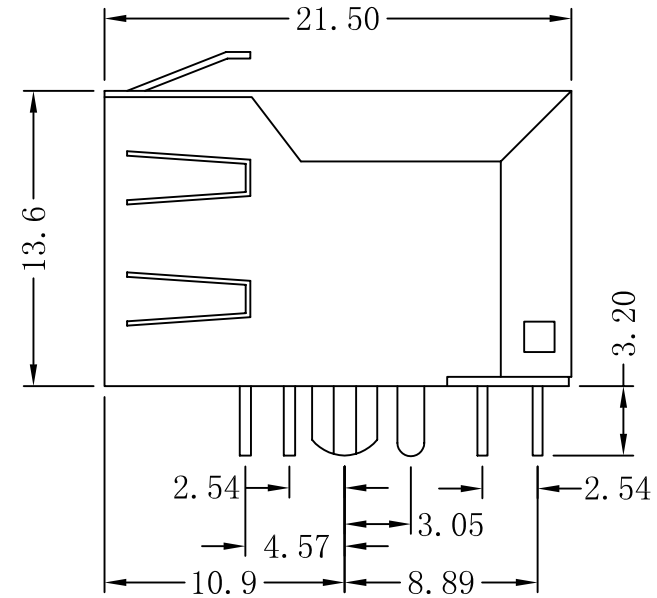
# Mechanical:



SUGGESTED PCB LAYOUT (TOP VIEW)



REV.	ECN NO.	DESCRIPTION	DATE	APPD
A	REL		18/12/2008	



## NOTES:

1. Designed to support application, such as SOHO (ADSL modems), LAN-on-Motherboard (LOM), hub and Switches.
2. Meets IEEE 802.3 specification
3. Connector Materials:  
 Housing: Thermoplastic UL94V-0  
 Contact/Shield: Copper alloy  
 Shield plating: Nickel  
 Contact plating: Gold 6 micro-inches min. In contact area.
4. Wave solder tip temperature: 265°C MAX  
 Wave solder tip temperature time: 5 Sec MAX.

X:X	±0.20	APPD:	LINK-PP INT'L TECHNOLOGY CO., LIMITED
X:XX	±0.10	CHKD:	
X:XXX	±0.05	DR: TOM	Title: RJ45 Connector With 10/100 Base-TX Integrated Magnetic
ANGLES	±1°	UNIT: mm	PART NO.: LPJ16205A42NL
	SCALE: 2/1	SHEET: 2/2	REV: A DWG NO: LP08121802