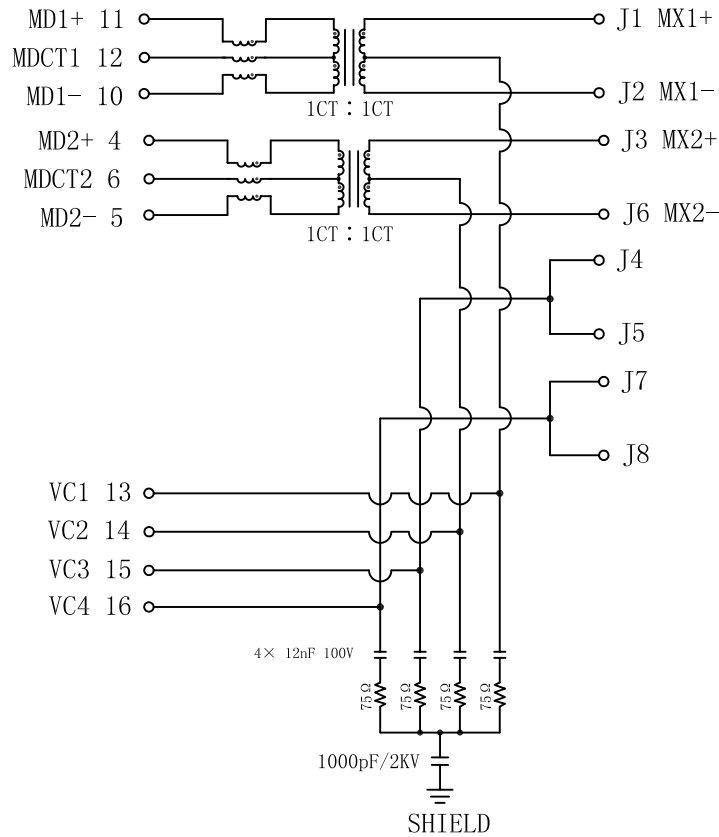


Schematic:

REV.	ECN NO.	DESCRIPTION	DATE	APPD
A	REL		2010/08/04	

PC BOARD CONNECTIONS



RJ45 CONNECTOR

Electrical Specifications @25°C

1. Inductance (100KHz, 0.1V, 18mADC):

J1-J2, J3-J6: 350uH Min

2. Turns Ratio ($\pm 2\%$):

TX=1CT:1CT RX=1CT:1CT

3. Insertion Loss:

1-100MHz: -1.0 dB Max

4. Return Loss (dB Min):

1-30MHz: -18 30-45MHz: -16

45-60MHz: -14 60-80MHz: -12

5. Crosstalk:

1-100MHz: -30dB Typ

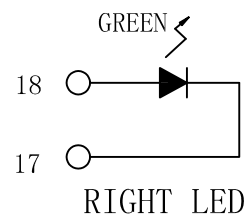
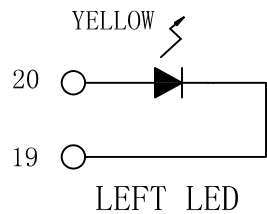
6. Common Mode Rejection:

1-100MHz: -35dB Min

7. HI-POT: 1500Vrms Min @60Hz

8. Operating Temperature: 0°C ~ 70°C.

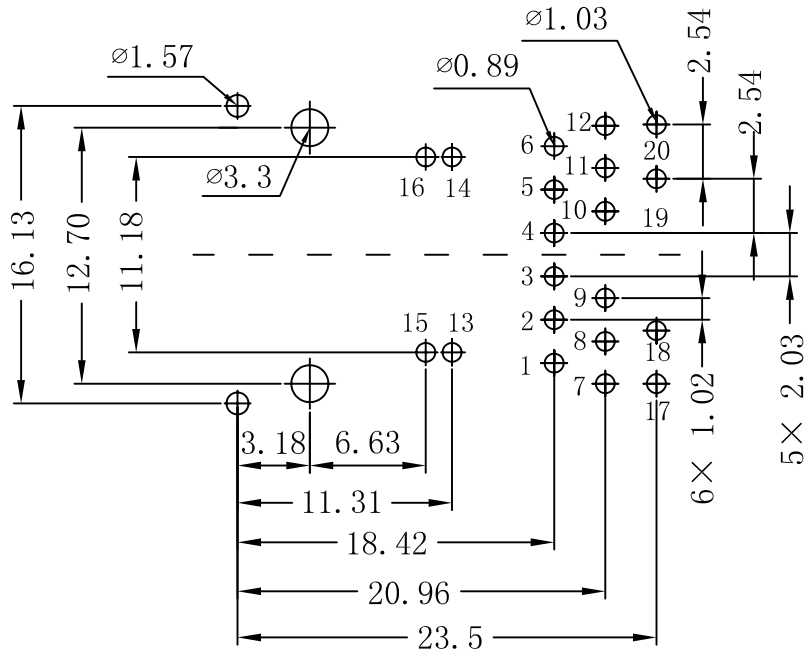
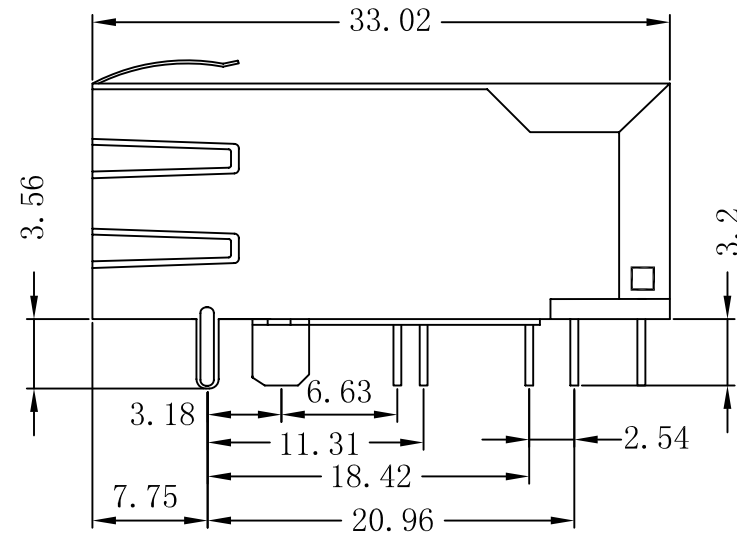
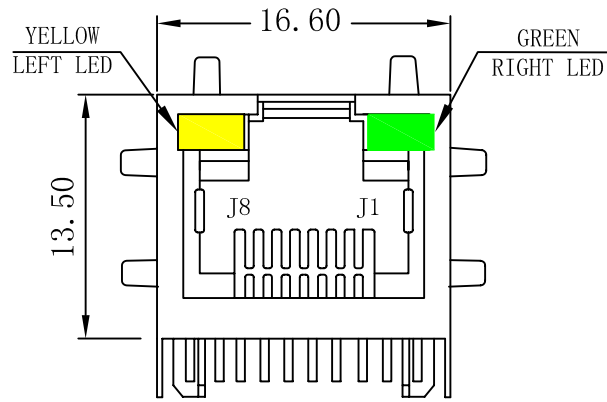
9. Designed to handle 600mADC and meet 802.3at.



X:X	± 0.20	APPD:	LINK-PP INT'L TECHNOLOGY CO., LIMITED
X:XX	± 0.10	CHKD:	
X:XXX	± 0.05	DR: TOM	
ANGLES	$\pm 1^\circ$	UNIT: mm	Title: RJ45 Connector with 10/100 Base-TX Integrated Magnetic & PoE
		PART NO.:	LPJK2001AGNL
	SCALE: 2/1	SHEET: 1/2	REV: A
		DWG NO.:	LP10080410

Mechanical:

REV.	ECN NO.	DESCRIPTION	DATE	APPD
A	REL		2010/08/04	



SUGGESTED PCB LAYOUT(TOP VIEW)



NOTES:

1. Designed to support application, such as SOHO (ADSL modems), LAN-on-Motherboard (LOM), hub and Switches.
2. Meets IEEE 802.3 specification
3. Connector Materials:
 Housing: Thermoplastic UL94V-0
 Contact/Shield: Copper alloy
 Shield plating: Nickel
 Contact plating: Gold 6 micro-inches min. In contact area.
4. Wave solder tip temperature: 265°C Max
 Wave solder tip temperature time: 5 Sec Max

X:X	±0.20	APPD:	LINK-PP INT'L TECHNOLOGY CO., LIMITED
X:XX	±0.10	CHKD:	
X:XXX	±0.05	DR: TOM	TITLE: RJ45 Connector with 10/100 Base-TX Integrated Magnetic & PoE
ANGLES	±1°	UNIT: mm	PART NO.: LPJK2001AGNL
	SCALE: 2/1	SHEET: 2/2	REV: A DWG NO.: LP10080410