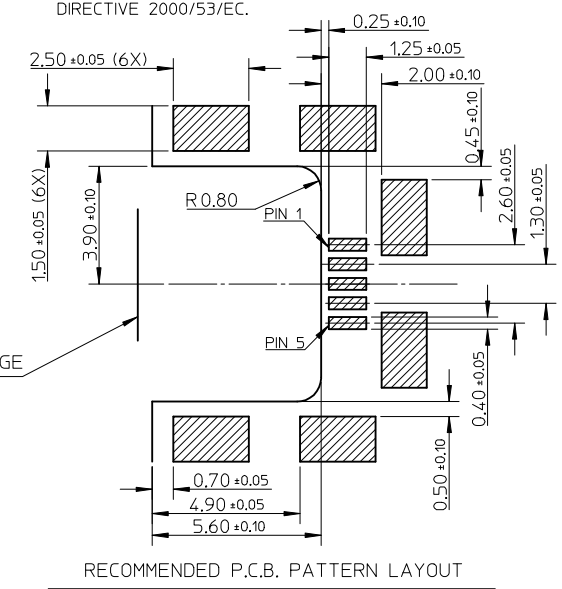
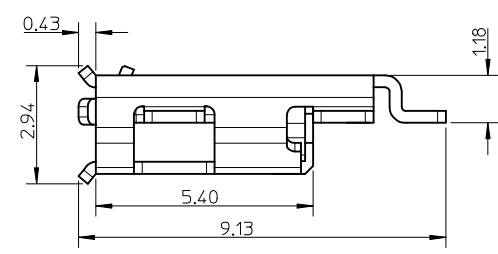
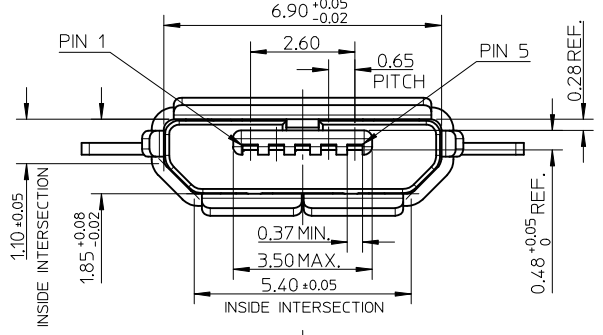
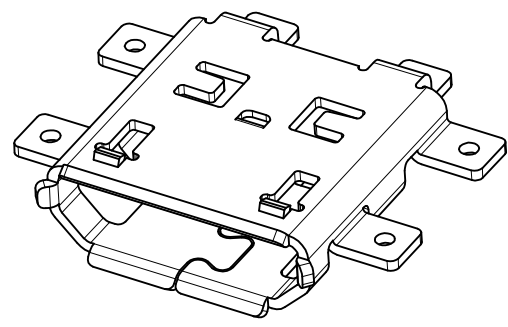
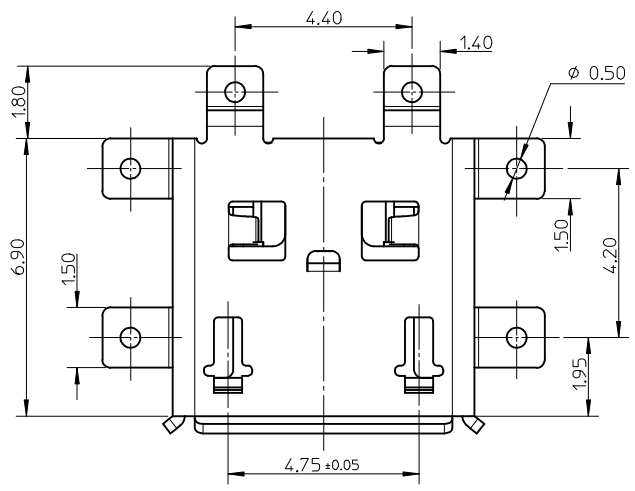
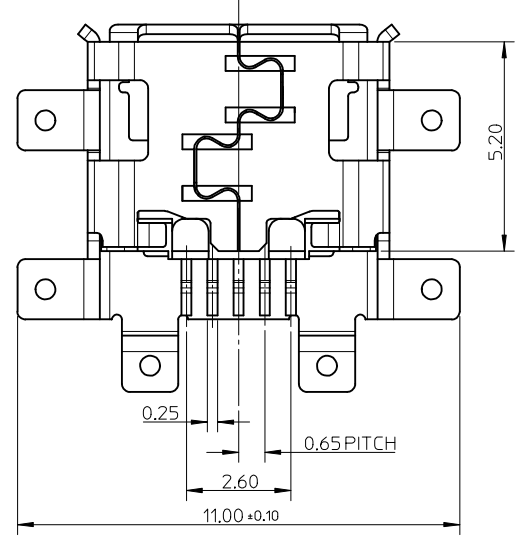


NOTE :

- MATERIAL :
 HOUSING : LCP, BLACK, UL94V-0
 TERMINAL : COPPER ALLOY THICKNESS = 0.15 MM
 SHIELD CASE : STAINLESS STEEL THICKNESS = 0.30 MM
- PLATING :
 TERMINAL:
 CONTACT AREA : GOLD FLASH OVER MINIMUM 0.75 MICRON Pd/Ni.
 SOLDER TAIL AREA : GOLD FLASH.
 UNDER PLATING : NICKEL 2.0 MICRON MINIMUM.
 SHIELD :
 OPTION 1 : MATTE TIN 3.8 MICRON MINIMUM.
 UNDER PLATING : NICKEL 1.27 MICRON MINIMUM.
 OPTION 2 : NICKEL 1.25 MICRON MINIMUM
- TAIL & NAIL COPLANARITY 0.08 mm MAXIMUM.
- PACKAGING SPECIFICATION : PK-47491-001
- PRODUCT SPECIFICATION : PS-47642-001
- COMPLIANT TO RoHS DIRECTIVE 2002/95/EC AND ELV DIRECTIVE 2000/53/EC.



SHELL PLATING OPTION 1	47491-0001
SHELL PLATING OPTION 2	47491-0002



REVISE EC NO: SH2011-0342 DRWN: XJSONG CHKD: APPR: RZHANG	2011/09/02 2011/09/05 DESCRIPTION	QUALITY SYMBOLS	GENERAL TOLERANCES (UNLESS SPECIFIED)	DIMENSION STYLE	SCALE	DESIGN UNITS	THIRD ANGLE PROJECTION	
		$\nabla = 0$ $\epsilon = 0$	mm INCH 4 PLACES ± --- ± --- 3 PLACES ± --- ± --- 2 PLACES ± 0.25 ± --- 1 PLACE ± 0.25 ± --- ANGULAR ± 3 °	MM ONLY	8:1	METRIC		
			DRAFT WHERE APPLICABLE MUST REMAIN WITHIN DIMENSIONS	DRAWN BY: XJSONG DATE: 2006/04/28 CHECKED BY: IWANG DATE: 2006/04/28 APPROVED BY: JNCHEN DATE: 2006/04/28	TITLE	MICRO USB B REC. MIDDLE MOUNT ASS'Y		
				MATERIAL NO. SEE CHART SIZE: A3 THIS DRAWING CONTAINS INFORMATION THAT IS PROPRIETARY TO MOLEX INCORPORATED AND SHOULD NOT BE USED WITHOUT WRITTEN PERMISSION	MOLEX INCORPORATED DOCUMENT NO. SD-47491-001 SHEET NO. 1 OF 1			