

FEATURES AND SPECIFICATIONS

Features and Benefits

- Sizes 4 to 25 circuits
- Positive latch retains clip to panel mount or 180° pocket headers
- Anti-entanglement/overstress ribs prevent discrete wires from catching under latch during harness manufacturing and storage
- Stacks 70066/70400D assemblies end-to-end to form a larger single row connector

Reference Information

UL File No.: E29179

CSA File No.: LR19980

Mates With: 70104, 70563, 70565, 70573 and 70575

Designed In: Inches

Physical

Housing: Black glass-filled polyester, UL 94V-0

Operating Temperature: -40 to +105°C



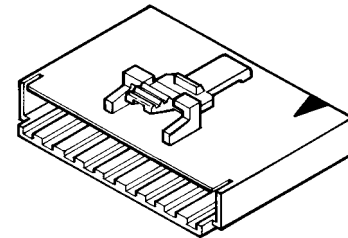
2.54mm (.100") Pitch

SL™

Interim Clip

70004

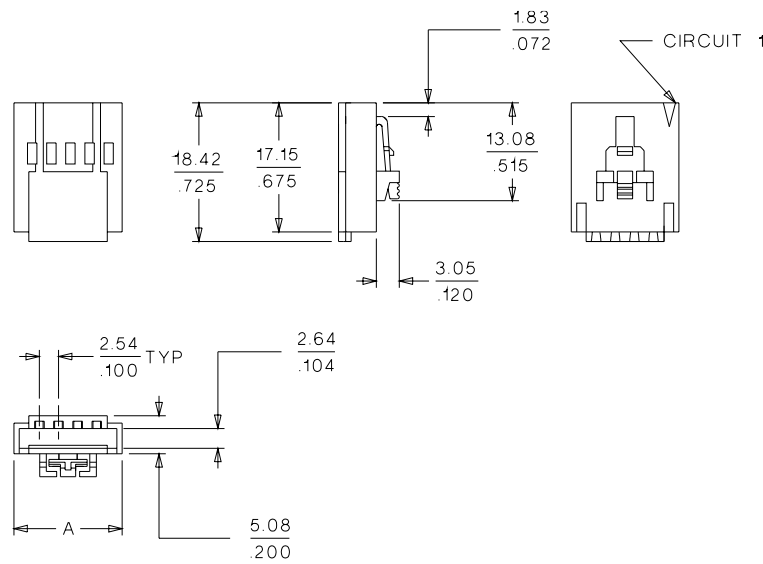
Single Row
Modular Branch



2.54mm (.100") Pitch

CATALOG DRAWING (FOR REFERENCE ONLY)

Not For Use With Molex C-Grid III™ Components



ORDERING INFORMATION AND DIMENSIONS

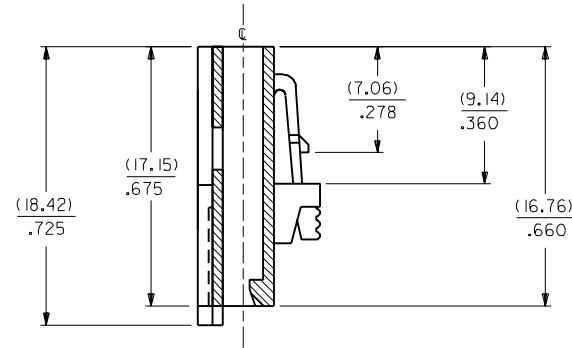
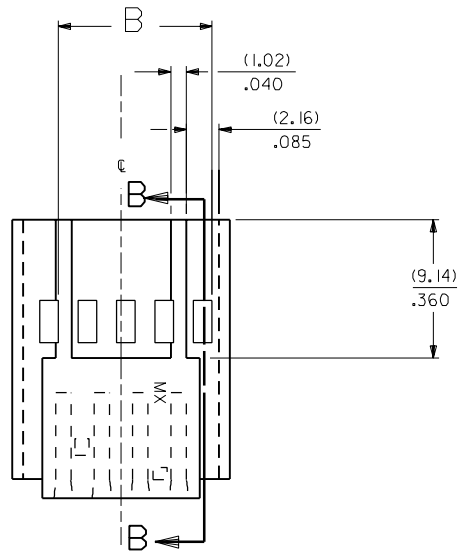
Circuits	Order No.	Dimension
		A
4	• 15-04-5042	11.83 (.466)
5	• 15-04-5052	14.37 (.566)
6	• 15-04-5062	16.91 (.666)
7	• 15-04-5072	19.45 (.766)
8	• 15-04-5082	21.99 (.866)
9	• 15-04-5092	24.53 (.966)
10	• 15-04-5102	27.07 (1.066)
11	• 15-04-5112	29.61 (1.166)
12	• 15-04-5122	32.15 (1.266)
13	• 15-04-5132	34.69 (1.366)
14	• 15-04-5142	37.23 (1.466)

Circuits	Order No.	Dimension
		A
15	• 15-04-5152	39.77 (1.566)
16	• 15-04-5162	42.31 (1.666)
17	• 15-04-5172	44.85 (1.766)
18	• 15-04-5182	47.39 (1.866)
19	• 15-04-5192	49.93 (1.966)
20	• 15-04-5202	52.47 (2.066)
21	• 15-04-5212	55.01 (2.166)
22	• 15-04-5222	57.55 (2.266)
23	• 15-04-5232	60.09 (2.366)
24	• 15-04-5242	62.63 (2.466)
25	• 15-04-5252	65.17 (2.566)

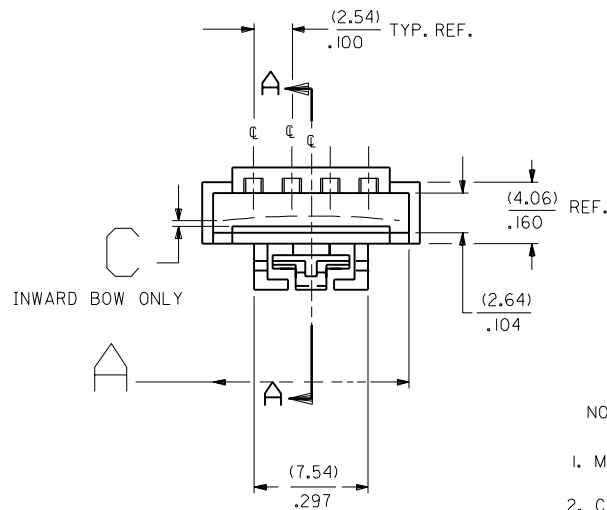
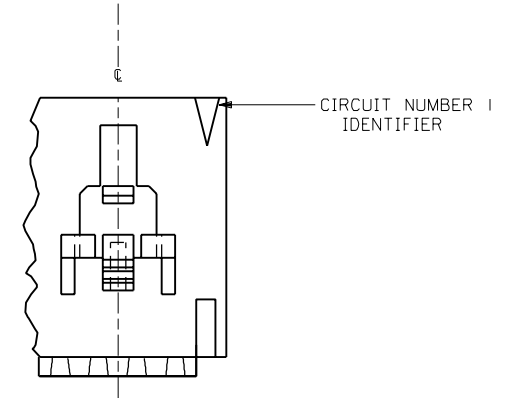
• US Standard Product, available through Molex franchised distributors

VERSION "A"

70004-0003-0024



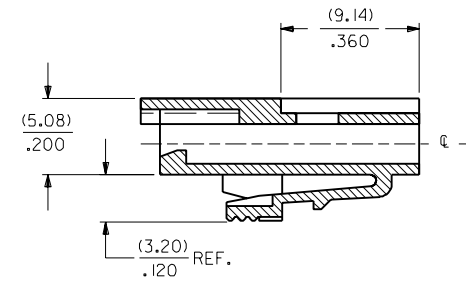
SECTION B-B



INWARD BOW ONLY

NOTES:

1. MATERIAL:G.F. POLYESTER, COLOR: BLACK, 94V-0.
2. CIRCUIT SIZES LISTED ON CHART (SEE SHEET 3).
3. FIVE CIRCUIT SHOWN WITH LATCH.
4. USED WITH #70400 SERIES CONNECTORS (OPTION D).
5. PACKAGE PER PK-70004-100.



SECTION A-A

3	I	
2	E	
I	I	
MFG. SH.	REV.	LTR.

I	CHG EDP#S SHT3 PER UDT2001-0205 CARIKCI 00/08/16
H	ADD PKG NOTE 5 ECN UDT2000-0468 SCHAFFER 99/12/1
G	REVISED LATCH PER ECR# U00653 8-29-90 MGB
F	CORRECT LATCH PER ECR# 9348 10/30/86 MJM
E	REDRAWN ON CAD PER ECR# 9173 5/24/86 WJF/MG

DIMENSIONS SHOWN (METRIC) INCH UNLESS OTHERWISE SPECIFIED TOLERANCES ANGULAR $\pm 1/2^\circ$		▽ = 0		◻ = 0		REVISE ONLY ON CAD SYSTEM	
3 PLACE $\pm .010$ ---		INCH		METRIC		TITLE INTERIN CLIP SINGLE ROW	
2 PLACE $\pm .014$ ± 0.25						SHEET NO. DATE 1 OF 3 05/15/86	
1 PLACE --- ± 0.36						MOLEX INCORPORATED L1SLE,ILL. 60532 U.S.A.	
DRAFT WHERE APPLICABLE MUST REMAIN WITHIN DIMENSIONS		PART NO. SD70004X1		DRWG. NO. SD-70004-0003-0057		FILE NAME SD70004X1	
DRWG. BY: WJF		CHK'D. BY: MG		SCALE: 4 : 1		THIS DRAWING CONTAINS INFORMATION THAT IS PROPRIETARY TO MOLEX INC. AND SHOULD NOT BE USED WITHOUT WRITTEN PERMISSION.	

70004

70004

70004

VERSION "A"

— WITH LATCH —

VERSION "B"

— WITHOUT LATCH —

EDP NO.	ENG NO.	DIM A	DIM B	DIM C	CKT. SIZE	EDP NO.	ENG NO.	DIM A	DIM B	DIM C	CKT. SIZE
015-04-5042	70004-0003	(10.41) .410	(7.62) .300	(0.25) .010	4	015-04-5043	70004-0036	(10.41) .410	(7.62) .300	(0.25) .010	4
015-04-5052	70004-0004	(12.95) .510	(10.16) .400	(0.33) .013	5	015-04-5053	70004-0037	(12.95) .510	(10.16) .400	(0.33) .013	5
015-04-5062	70004-0005	(15.49) .610	(12.70) .500	(0.38) .015	6	015-04-5063	70004-0038	(15.49) .610	(12.70) .500	(0.38) .015	6
015-04-5072	70004-0006	(18.03) .710	(15.24) .600	(0.46) .018	7	015-04-5073	70004-0039	(18.03) .710	(15.24) .600	(0.46) .018	7
015-04-5082	70004-0007	(20.57) .810	(17.78) .700	(0.51) .020	8	015-04-5083	70004-0040	(20.57) .810	(17.78) .700	(0.51) .020	8
015-04-5092	70004-0008	(23.11) .910	(20.32) .800	(0.58) .023	9	015-04-5093	70004-0041	(23.11) .910	(20.32) .800	(0.58) .023	9
015-04-5102	70004-0009	(25.65) 1.010	(22.86) .900	(0.64) .025	10	015-04-5103	70004-0042	(25.65) 1.010	(22.86) .900	(0.64) .025	10
015-04-5112	70004-0010	(28.19) 1.110	(25.40) 1.000	(0.71) .028	11	015-04-5113	70004-0043	(28.19) 1.110	(25.40) 1.000	(0.71) .028	11
015-04-5122	70004-0011	(30.73) 1.210	(27.94) 1.100	(0.76) .030	12	015-04-5123	70004-0044	(30.73) 1.210	(27.94) 1.100	(0.76) .030	12
015-04-5132	70004-0012	(33.27) 1.310	(30.48) 1.200	(0.84) .033	13	015-04-5133	70004-0045	(33.27) 1.310	(30.48) 1.200	(0.84) .033	13
015-04-5142	70004-0013	(35.81) 1.410	(33.02) 1.300	(0.89) .035	14	015-04-5143	70004-0046	(35.81) 1.410	(33.02) 1.300	(0.89) .035	14
015-04-5152	70004-0014	(38.35) 1.510	(35.56) 1.400	(0.96) .038	15	015-04-5153	70004-0047	(38.35) 1.510	(35.56) 1.400	(0.96) .038	15
015-04-5162	70004-0015	(40.89) 1.610	(38.10) 1.500	(1.02) .040	16	015-04-5163	70004-0048	(40.89) 1.610	(38.10) 1.500	(1.02) .040	16
015-04-5172	70004-0016	(43.43) 1.710	(40.64) 1.600	(1.09) .043	17	015-04-5173	70004-0049	(43.43) 1.710	(40.64) 1.600	(1.09) .043	17
015-04-5182	70004-0017	(45.97) 1.810	(43.18) 1.700	(1.14) .045	18	015-04-5183	70004-0050	(45.97) 1.810	(43.18) 1.700	(1.14) .045	18
015-04-5192	70004-0018	(48.51) 1.910	(45.72) 1.800	(1.22) .048	19	015-04-5193	70004-0051	(48.51) 1.910	(45.72) 1.800	(1.22) .048	19
015-04-5202	70004-0019	(51.05) 2.010	(48.26) 1.900	(1.27) .050	20	015-04-5203	70004-0052	(51.05) 2.010	(48.26) 1.900	(1.27) .050	20
015-04-5212	70004-0020	(53.59) 2.110	(50.80) 2.000	(1.35) .053	21	015-04-5213	70004-0053	(53.59) 2.110	(50.80) 2.000	(1.35) .053	21
015-04-5222	70004-0021	(56.13) 2.210	(53.34) 2.100	(1.40) .055	22	015-04-5223	70004-0054	(56.13) 2.210	(53.34) 2.100	(1.40) .055	22
015-04-5232	70004-0022	(58.67) 2.310	(55.88) 2.200	(1.47) .058	23	015-04-5233	70004-0055	(58.67) 2.310	(55.88) 2.200	(1.47) .058	23
015-04-5242	70004-0023	(61.21) 2.410	(58.42) 2.300	(1.52) .060	24	015-04-5243	70004-0056	(61.21) 2.410	(58.42) 2.300	(1.52) .060	24
015-04-5252	70004-0024	(63.73) 2.510	(60.96) 2.400	(1.60) .063	25	015-04-5253	70004-0057	(63.73) 2.510	(60.96) 2.400	(1.60) .063	25

I	SEE SHEET I
F	SEE SHEET I
E	SEE SHEET I

DIMENSIONS SHOWN (METRIC) INCH		REVISIONS																									
UNLESS OTHERWISE SPECIFIED TOLERANCES ANGULAR ± 1/2°		REVISE ONLY ON CAD SYSTEM																									
<table border="1"> <tr> <th>3 PLACE</th> <th>INCH</th> <th>METRIC</th> </tr> <tr> <td>±</td> <td>---</td> <td>---</td> </tr> <tr> <th>2 PLACE</th> <td>±</td> <td>---</td> </tr> <tr> <th>1 PLACE</th> <td>---</td> <td>±</td> </tr> </table>		3 PLACE	INCH	METRIC	±	---	---	2 PLACE	±	---	1 PLACE	---	±	<table border="1"> <tr> <td>TITLE</td> <td>INTERIM CLIP SINGLE ROW</td> </tr> <tr> <td>PART NO.</td> <td>SD-70004-0003-0057</td> </tr> <tr> <td>DRWG. NO.</td> <td>SEE CHART</td> </tr> <tr> <td>FILE NAME</td> <td>SD70004X3</td> </tr> <tr> <td>APP'D. BY</td> <td>RL</td> </tr> <tr> <td>SCALE</td> <td>---</td> </tr> </table>		TITLE	INTERIM CLIP SINGLE ROW	PART NO.	SD-70004-0003-0057	DRWG. NO.	SEE CHART	FILE NAME	SD70004X3	APP'D. BY	RL	SCALE	---
3 PLACE	INCH	METRIC																									
±	---	---																									
2 PLACE	±	---																									
1 PLACE	---	±																									
TITLE	INTERIM CLIP SINGLE ROW																										
PART NO.	SD-70004-0003-0057																										
DRWG. NO.	SEE CHART																										
FILE NAME	SD70004X3																										
APP'D. BY	RL																										
SCALE	---																										
DRAFT WHERE APPLICABLE MUST REMAIN WITHIN DIMENSIONS		MFG. SH. REV. LTR. REVISIONS																									
MOLEX INCORPORATED 135LEJLL 60532 U.S.A.		SHEET NO. 3 DATE 4/15/86																									
DIV. WJF CHK'D. BY MC FILE NAME SD70004X3		THIS DRAWING CONTAINS INFORMATION THAT IS PROPRIETARY TO MOLEX INC. AND SHOULD NOT BE USED WITHOUT WRITTEN PERMISSION.																									

70004

70004