

FEATURES AND SPECIFICATIONS

Features and Benefits

- Positive lock
- Fully isolated terminals
- Polarized housing assures proper mating
- Male and female terminals may be used in receptacle housing

Reference Information

Packaging: Bag
 UL File No.: E29179
 CSA File No.: LR19980
 TUV License No.: R75107
 Mates With: [5219](#) header and [3191](#) plug
 Use With: Standard .093" terminal
 Designed In: Inches

Electrical

Voltage: 600V
 Current: 12.0A max.*
 Dielectric Withstanding Voltage: 5000V AC rms

Mechanical

Contact Retention to Housing: 20 lb min.

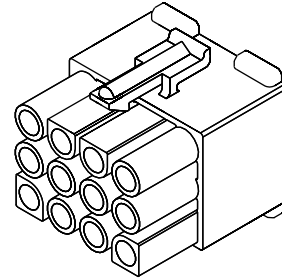
Physical

Housing: Nylon, UL 94V-0 or 94V-2
 Operating Temperature: -40 to +105°C

* Depending on circuit size and wire gauge; please refer to product specifications

molex® 6.71 mm (.264") Pitch .093" Pin and Socket Receptacle

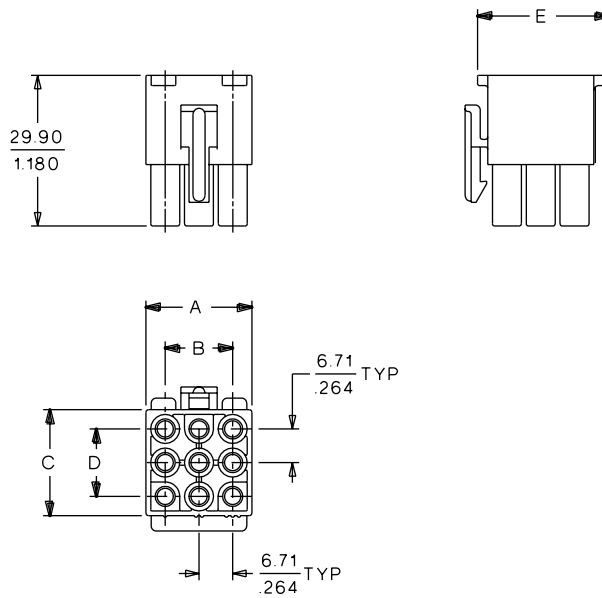
3191



Power Connectors

F

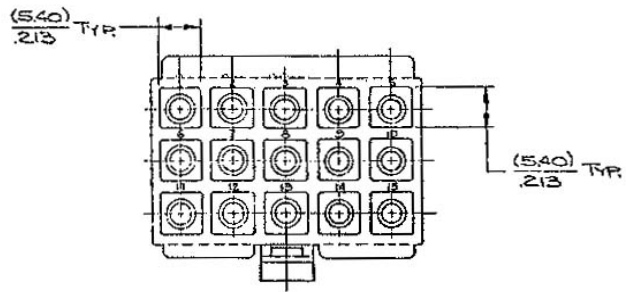
CATALOG DRAWING (FOR REFERENCE ONLY)



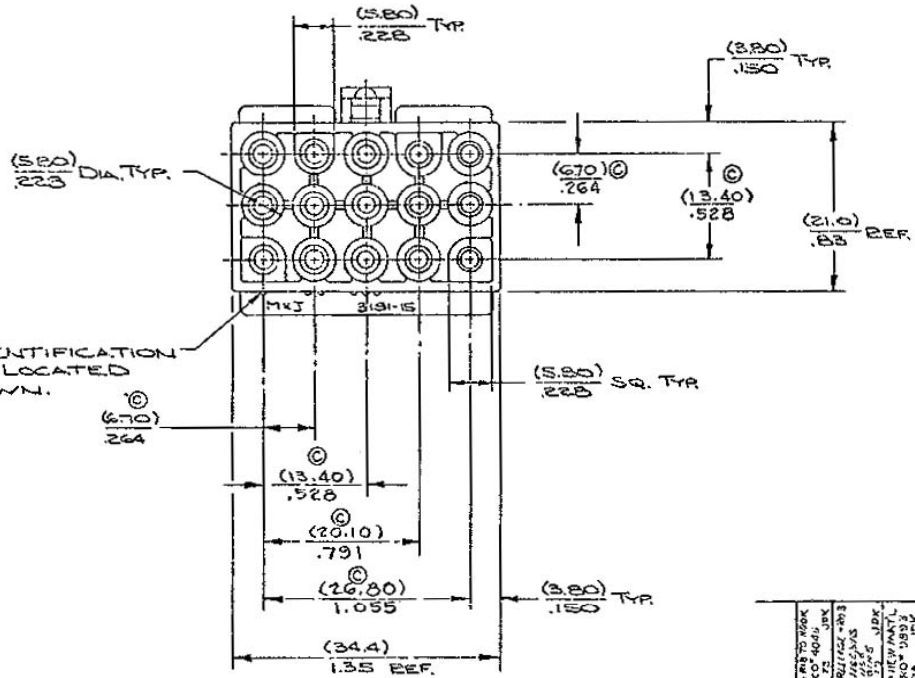
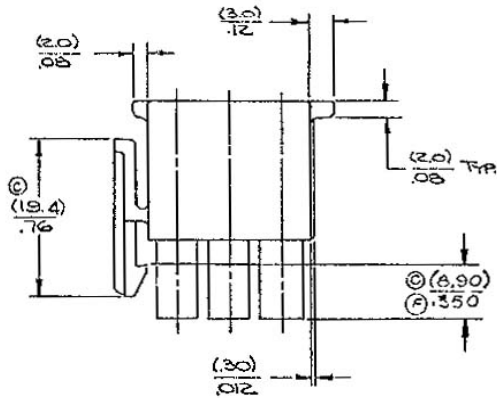
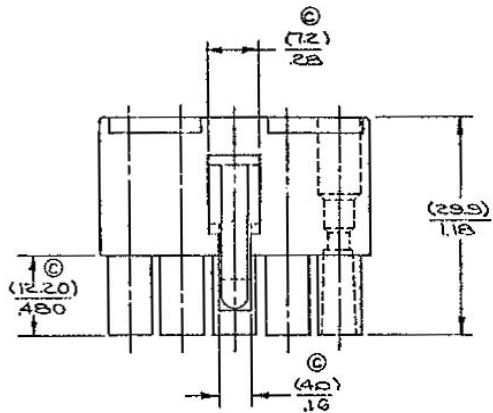
ORDERING INFORMATION AND DIMENSIONS

Circuits	Order No.		Amperes per Circuit	Dimension				
	94V-2	94V-0		A	B	C	D	E
1	• 19-09-1019	• 19-09-1016	12	7.60 (.300)		7.60 (.300)		10.62 (.418)
2	• 19-09-1029	• 19-09-1026	12	14.30 (.560)	6.71 (.264)	7.60 (.300)		12.70 (.500)
3	• 19-09-1039	• 19-09-1036	11	21.00 (.830)	13.42 (.528)	7.60 (.300)		12.70 (.500)
4	• 19-09-1049	• 19-09-1046	9	27.70 (1.090)	20.13 (.792)	7.60 (.300)		12.70 (.500)
6	• 19-09-1069	• 19-09-1066	9	21.00 (.830)	13.42 (.528)	14.30 (.560)	6.71 (.264)	19.38 (.763)
9	• 19-09-1099	• 19-09-1096	9	21.00 (.830)	13.42 (.528)	21.00 (.830)	13.42 (.528)	26.20 (1.030)
12	• 19-09-1129	• 19-09-1126	9	27.70 (1.090)	20.13 (.792)	21.00 (.830)	13.42 (.528)	26.20 (1.030)
15	• 19-09-1159	• 19-09-1156	9	34.40 (1.350)	26.84 (1.056)	21.00 (.830)	13.42 (.528)	26.20 (1.030)

• US Standard Product, available through Molex franchised distributors



PART NO. 19-**-115*
MOLEX INC. MOBILE, ALA.



SIDE IDENTIFICATION BEADS LOCATED AS SHOWN.

19-09-3151	SD-3191-15R1-202	ASAHI LEONA FR-200
NOT TOOLED	SD3191-15R1-202	MOD. NYLON 6/6 94V-C DUPONT FE-3016
NOT TOOLED	SD3191-15R1-201	MOD. NYLON 6/6 94V-O MONSANTO M3A0
19-09-1156	SD-3191-15R1-201	MOD. NYLON 6/6 94V-O WELLMID FR22-FW
19-09-1158	SD-3191-15R1	NYLON TYPE 6/6 94V-D

REVISONS		DATE	
1	WEL	10/28/75	
2	WEL		

**HOUSING - RECEPTACLE,
15 CRT. (UNIVERSAL)**

MOLEX INCORPORATED

MOBILE, ALA. U.S.A.

DATE: 10/28/75

PART NO. 19-**-115* ENG. NO. SD-3191-15R1-1/C

C

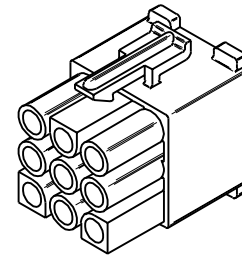
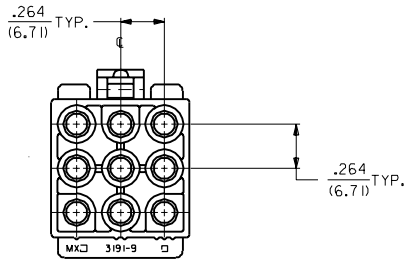
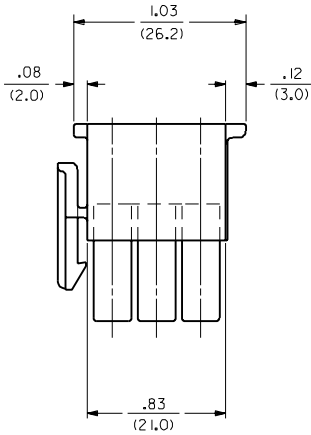
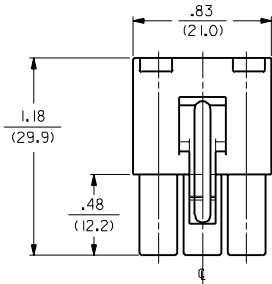
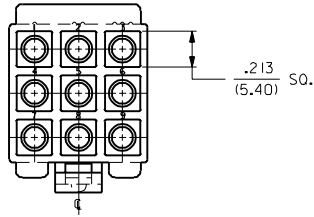
THIS DRAWING CONTAINS INFORMATION THAT IS PROPRIETARY TO MOLEX INC. AND SHOULD NOT BE USED WITHOUT WRITTEN PERMISSION.

13 12 11 10 9 8 7 6 5 4 3 2 1

J
I
H
G
F
E
D
C
B
A

13 12 11 10 9 8 7 6 5 4 3 2 1

13 12 11 10 9 8 7 6 3191 4 3 2 1



RECEPTACLE

DIMENSIONS SHOWN (METRIC) INCH

UNLESS OTHERWISE SPECIFIED TOLERANCES: ANGULAR ± .005° TO

	INCH	METRIC
3 PLACE	± .010	---
2 PLACE	± .014	± 0.25
1 PLACE	---	± 0.35

DRAFT WHERE APPLICABLE MUST REMAIN WITHIN DIMENSIONS

DRWG. BY: RAS
APP'D. BY: RAS

REVISIONS ONLY ON CAD SYSTEM

TITLE	.093/(2.36) HOUSING, PLUG AND RECEPTACLE, 9 CKT., .264/(6.70) CTRS.	
PART NO.	MOLEX INCORPORATED	SHEET NO. 2
DATE	8/2/89	

SEE CHART	DRWG. NO. SD-3191-9
FILE NAME: 531919X2.DGN	DIV. CP

LTR.	REVISIONS	LTR.	REVISIONS
		J	SEE SHT. 1

PLUG		RECEPTACLE	
PART NO.	ENG. NO.	PART NO.	ENG. NO.
19-09-2098	3191-9P	19-09-1099	3191-9R1
19-09-2099	3191-9P1	19-09-1096	3191-9R1-201
19-09-2097	3191-9P-201		
19-09-2096	3191-9P1-201		

LEGEND:

3191-9****-*

CIRCUIT SIZE

P = PLUG

R = RECEPTACLE

EARS: BLANK = WITH PREBENT EARS (PLUG ONLY)

I = WITHOUT EARS

COLOR: BLANK = NATURAL COLOR

AM=AMBER BK=BLACK BU=BLUE

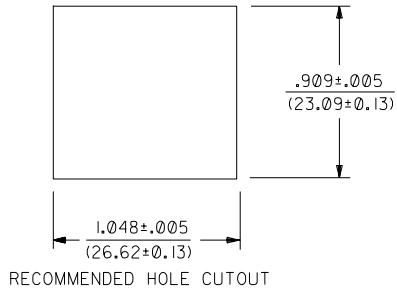
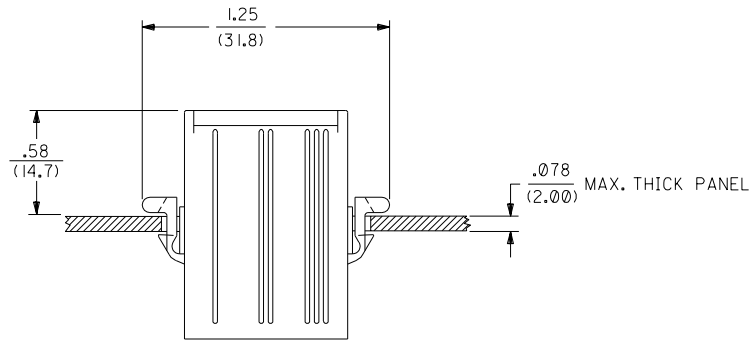
BN=BROWN GY=GRAY GN=GREEN

OR=ORANGE RD=RED YW=YELLOW

COLORS AVAILABLE ONLY IN 94V-2 MATERIAL

MATERIAL: BLANK=NYLON TYPE 6/6, 94V-2

201=NYLON TYPE 6/6, 94V-0



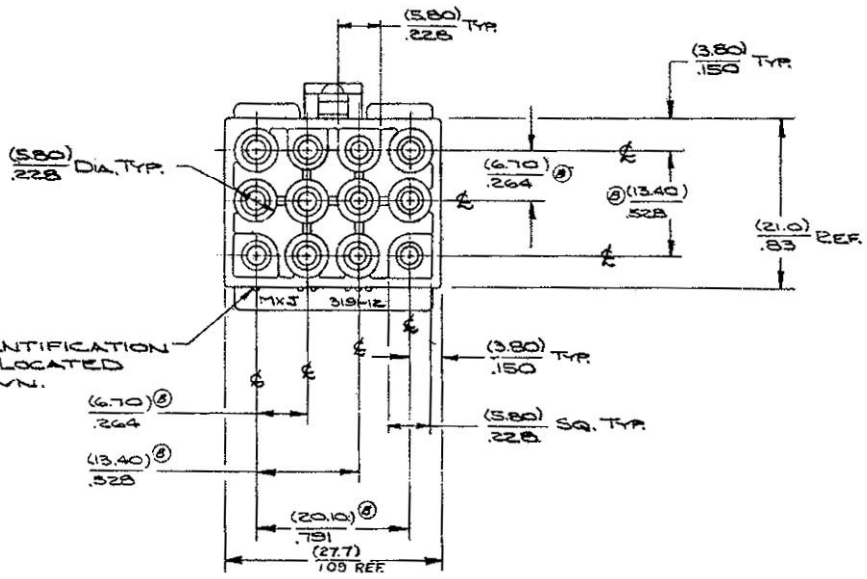
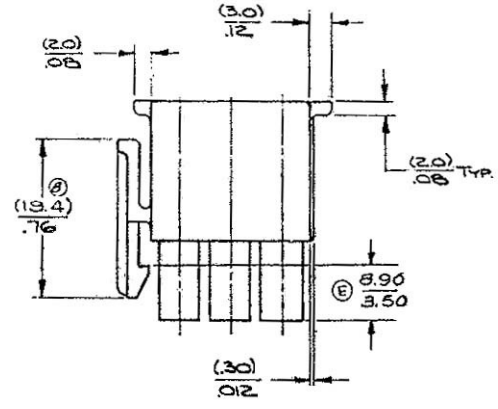
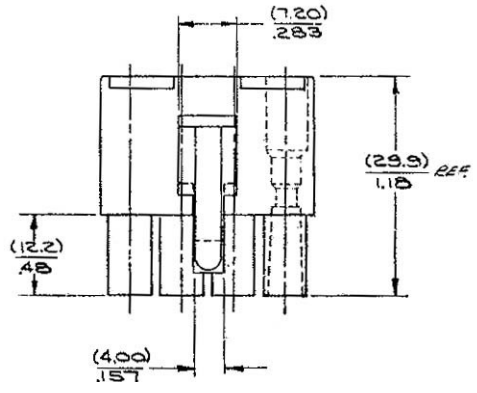
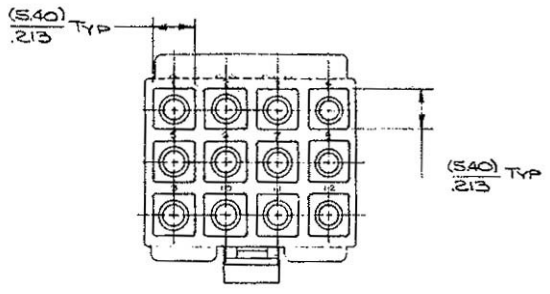
NOTES:

I. THESE HOUSINGS FOR USE WITH MOLEX .093/(2.36) DIAMETER SERIES TERMINALS.

DIMENSIONS SHOWN (METRIC) INCH		UNLESS OTHERWISE SPECIFIED TOLERANCES: ANGULAR ± .04° 10	
3 PLACE ± .010	---	INCH	METRIC
2 PLACE ± .014	± 0.25		
1 PLACE ---	± 0.35		
DRAFT WHERE APPLICABLE MUST REMAIN WITHIN DIMENSIONS			
DRWG. BY: GEP	CHK'D. BY: RW	REVISIONS	
APP'D. BY: RAS	SCALE: --:--	LTR. REVISIONS	
TITLE: .093/(2.36) HOUSINGS PLUG AND RECEPTACLE 9 CKT., .264/(6.70) CTRS.		REVISE ONLY ON CAD SYSTEM	
FROM: MOLEX INCORPORATED U.S.A.		SHEET NO. 3 DATE 8/2/89	
PART NO. SEE CHART		DRWG. NO. SD-3191-9*	
FILE NAME: 531919X3		THIS DRAWING CONTAINS INFORMATION THAT IS PROPRIETARY TO MOLEX INC. AND SHOULD NOT BE USED WITHOUT WRITTEN PERMISSION.	

3191

NO P.S.1



19-09-112*
SD-3191-12R1-D

NOTE:
THIS HOUSING FOR USE WITH MOLEX
(236)/.093 DIA. FEMALE TERMINALS.

PART NO.	ENG. NO.	MATERIAL
NOT TOOLED	SDX-3191-12R1-D	NYLON 6/6, 94U-2 COLOR NATURAL.
19-09-3121	SD-3191-12R1-203	ASAHI CEONA FR-200 (-D INDICATES DYED)
NOT TOOLED	SDX-3191-12R1-202	MOD. NYLON 6/6 94U-2 DUPONT FE-3016
NOT TOOLED	SDX-3191-12R1-200	MOD. NYLON 6/6, 94U-0, MOUSANTO M340
19-09-1126	SD-3191-12R1-201	MOD. NYLON 6/6, 94U-0, WELLMID FE2-PA
19-09-1129	SD-3191-12R1	NYLON 6/6, 94U-2

REV.	DATE	BY	CHKD.	DESCRIPTION
1	11/21/78	WEL	WEL	ISSUED FOR PRODUCTION
2	12/21/78	WEL	WEL	REVISED TO ADD IDENTIFICATION BEADS

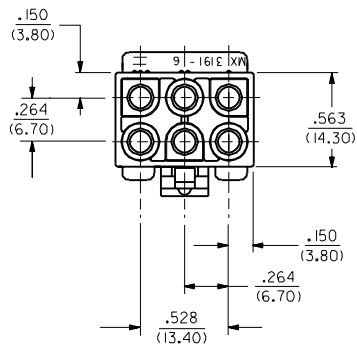
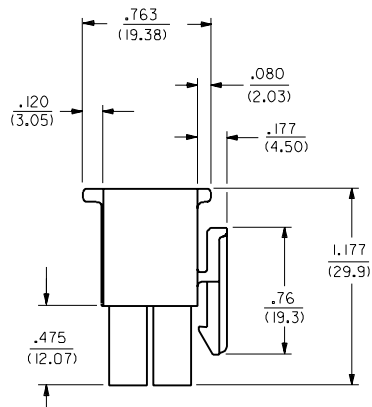
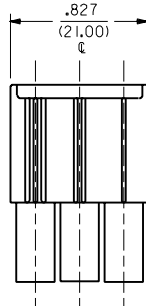
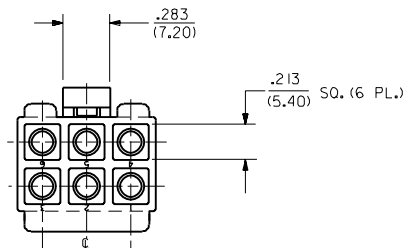
AGFO

MOLEX INCORPORATED

19-09-112* SD-3191-12R1-D

DATE: 10/21/78

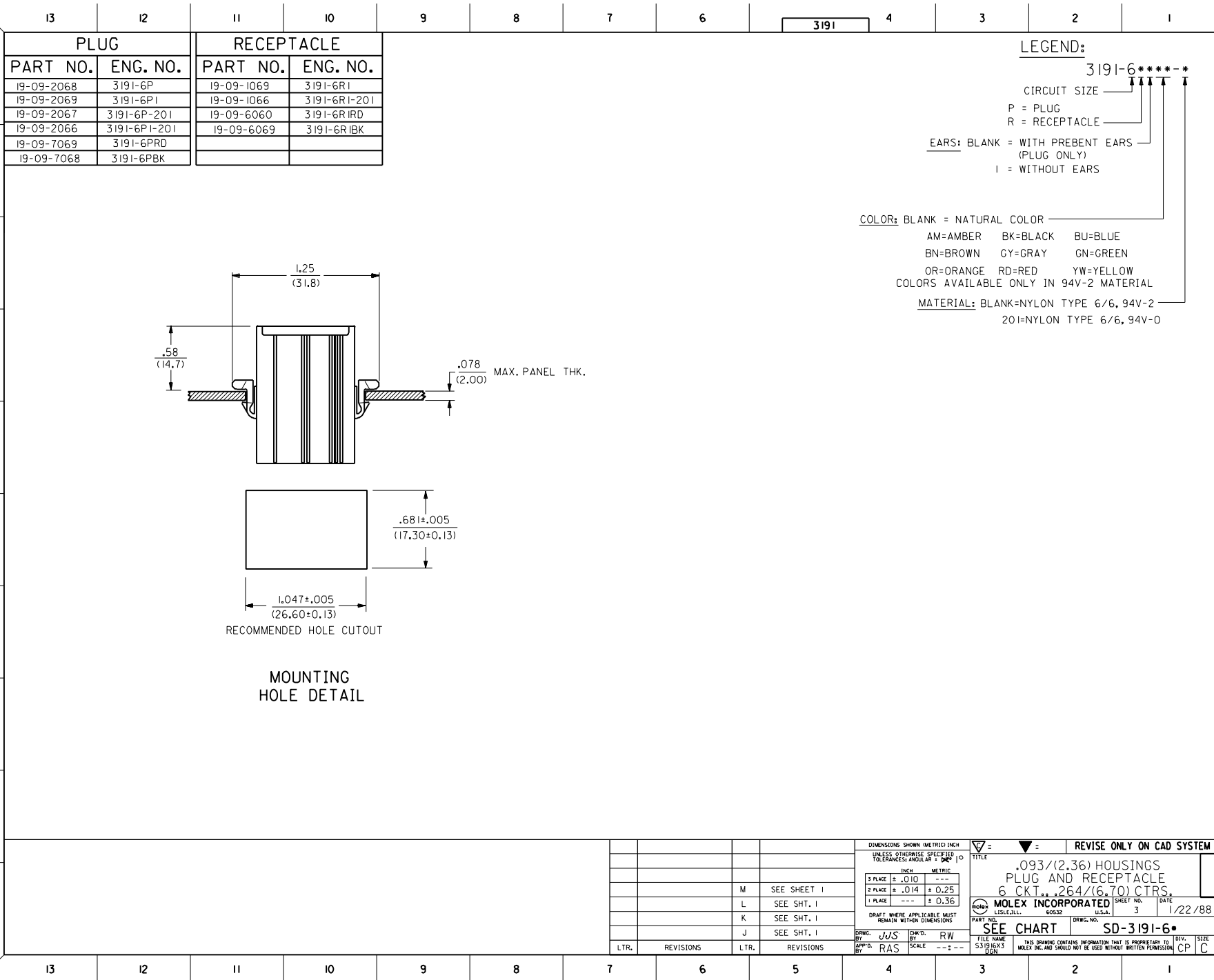
THIS DRAWING CONTAINS INFORMATION THAT IS PROPRIETARY TO MOLEX INC. AND SHOULD NOT BE USED WITHOUT WRITTEN PERMISSION.



RECEPTACLE

DIMENSIONS SHOWN METRIC (INCH)		UNLESS OTHERWISE SPECIFIED TOLERANCES: ANGULAR ± .010		REVISIONS	
INCH	METRIC	FILE NO.	TITLE	SHEET NO.	DATE
3 PLACE ± .010	---	SEE SHEET 3	.093/(2.36) HOUSING PLUG AND RECEPTACLE 6 CIRCUIT, .264/(6.70)CTRS	2	1/22/88
2 PLACE ± .014	± 0.25	MOLEX INCORPORATED		LITSEJLL 60532 U.S.A.	
1 PLACE ---	± 0.36	PART NO. SD-3191-6		DRWG. NO.	
DRAFT WHERE APPLICABLE MUST REMAIN WITHIN DIMENSIONS		DRAWN BY JJS		CHKD. BY RW	
APP'D. BY RAS		SCALE 2:1		DIV. SIZE C	

LTR.	REVISIONS	LTR.	REVISIONS
		J	SEE SHT 1



PLUG		RECEPTACLE	
PART NO.	ENG. NO.	PART NO.	ENG. NO.
19-09-2068	3191-6P	19-09-1069	3191-6RI
19-09-2069	3191-6PI	19-09-1066	3191-6RI-201
19-09-2067	3191-6P-201	19-09-6060	3191-6R IRD
19-09-2066	3191-6PI-201	19-09-6069	3191-6R IBK
19-09-7069	3191-6PRD		
19-09-7068	3191-6PBK		

LEGEND:

3191-6****-*

CIRCUIT SIZE

P = PLUG

R = RECEPTACLE

EARS: BLANK = WITH PREBENT EARS (PLUG ONLY)

I = WITHOUT EARS

COLOR: BLANK = NATURAL COLOR

AM=AMBER BK=BLACK BU=BLUE

BN=BROWN GY=GRAY GN=GREEN

OR=ORANGE RD=RED YW=YELLOW

COLORS AVAILABLE ONLY IN 94V-2 MATERIAL

MATERIAL: BLANK=NYLON TYPE 6/6, 94V-2

201=NYLON TYPE 6/6, 94V-0

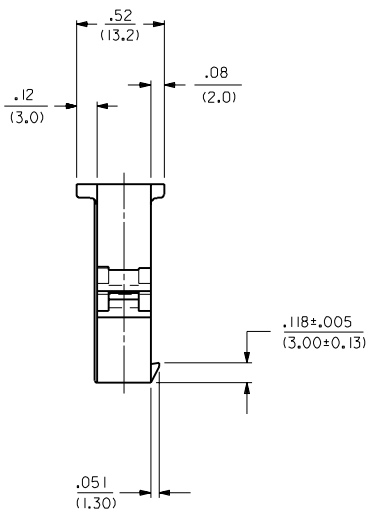
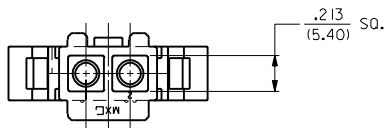
MOUNTING HOLE DETAIL

DIMENSIONS SHOWN (METRIC) INCH		UNLESS OTHERWISE SPECIFIED TOLERANCES ANGLES ARE ± DMP	
INCH	METRIC	INCH	METRIC
3 PLACE ± .010	---	3 PLACE ± .010	---
2 PLACE ± .014	± 0.25	2 PLACE ± .014	± 0.25
1 PLACE ---	± 0.36	1 PLACE ---	± 0.36

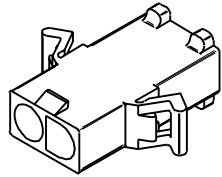
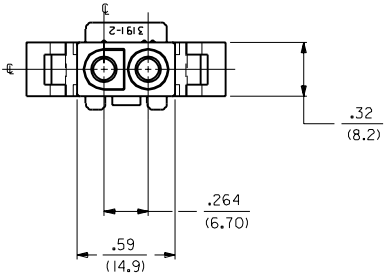
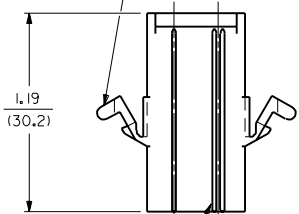
DRAFT WHERE APPLICABLE MUST REMAIN WITHIN DIMENSIONS	
DRWG. BY: JUS	CHK'D. BY: RW
APP'D. BY: RAS	SCALE: --:--

REVISIONS		REVISIONS	
LTR.	REVISIONS	LTR.	REVISIONS
M	SEE SHEET 1		
L	SEE SHT. 1		
K	SEE SHT. 1		
J	SEE SHT. 1		

TITLE		REVISE ONLY ON CAD SYSTEM	
.093/(2.36) HOUSINGS PLUG AND RECEPTACLE			
6 CKT., .264/(6.70) CTRS.			
MOLEX INCORPORATED	SHEET NO. 3	DATE 1/22/88	
1151E,JLL	60532	U.S.A.	
SEE CHART	DRWG. NO. SD-3191-6*		
FILE NAME: S31916X3.DGN	THIS DRAWING CONTAINS INFORMATION THAT IS PROPRIETARY TO MOLEX INC. AND SHOULD NOT BE USED WITHOUT WRITTEN PERMISSION		
		DIV. CP	SIZE C



PREBENT MOUNTING EAR
(WHEN SPECIFIED)

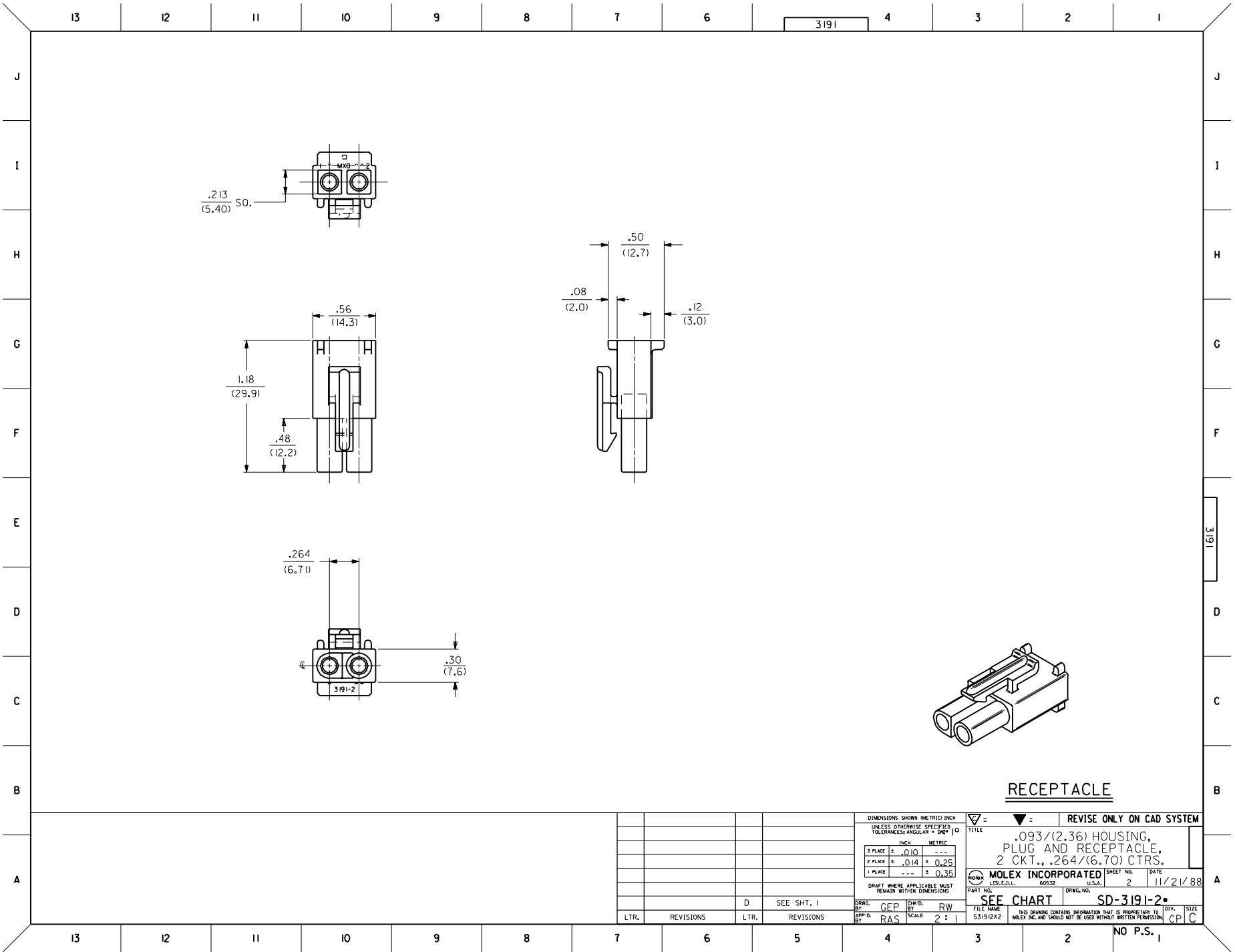


PLUG

3	E2	
2	D	
1	E4	
<input checked="" type="checkbox"/>	SH.	REV. LTR. REVISIONS

UNLESS OTHERWISE SPECIFIED TOLERANCES: ANGULAR ± .001 TO

DIMENSIONS SHOWN METRIC (INCH)		▽ = 0	▼ = 0	REVISE ONLY ON CAD SYSTEM	
3 PLACE	± .010	---	---	TITLE	
2 PLACE	± .014	± 0.25	---	.093/(2.36) HOUSING, PLUG AND RECEPTACLE, 2 CKT ± .264/(6.70) CTRS.	
1 PLACE	---	± 0.35	---	PART NO. DATE	
DRAFT WHERE APPLICABLE MUST REMAIN WITHIN DIMENSIONS			MOLEX INCORPORATED SHEET NO. DATE		
DRAWN: CEP			L15LEJLL. 60532 U.S.A. 1 of 3 11/21/88		
CHKD: RW			SEE CHART DRWG. NO. SD-3191-2*		
APP'D: RAS			FILE NAME: S31912X1		
SCALE: 2 : 1			DIV. SIZE: CP C		



RECEPTACLE

DIMENSIONS SHOWN (METRIC) INCH		
UNLESS OTHERWISE SPECIFIED TOLERANCES: ANGULAR ± .004		
	INCH	METRIC
3 PLACE	± .010	---
2 PLACE	± .014	± 0.25
1 PLACE	---	± 0.35

DRAFT WHERE APPLICABLE MUST REMAIN WITHIN DIMENSIONS

REVISIONS = = REVISE ONLY ON CAD SYSTEM

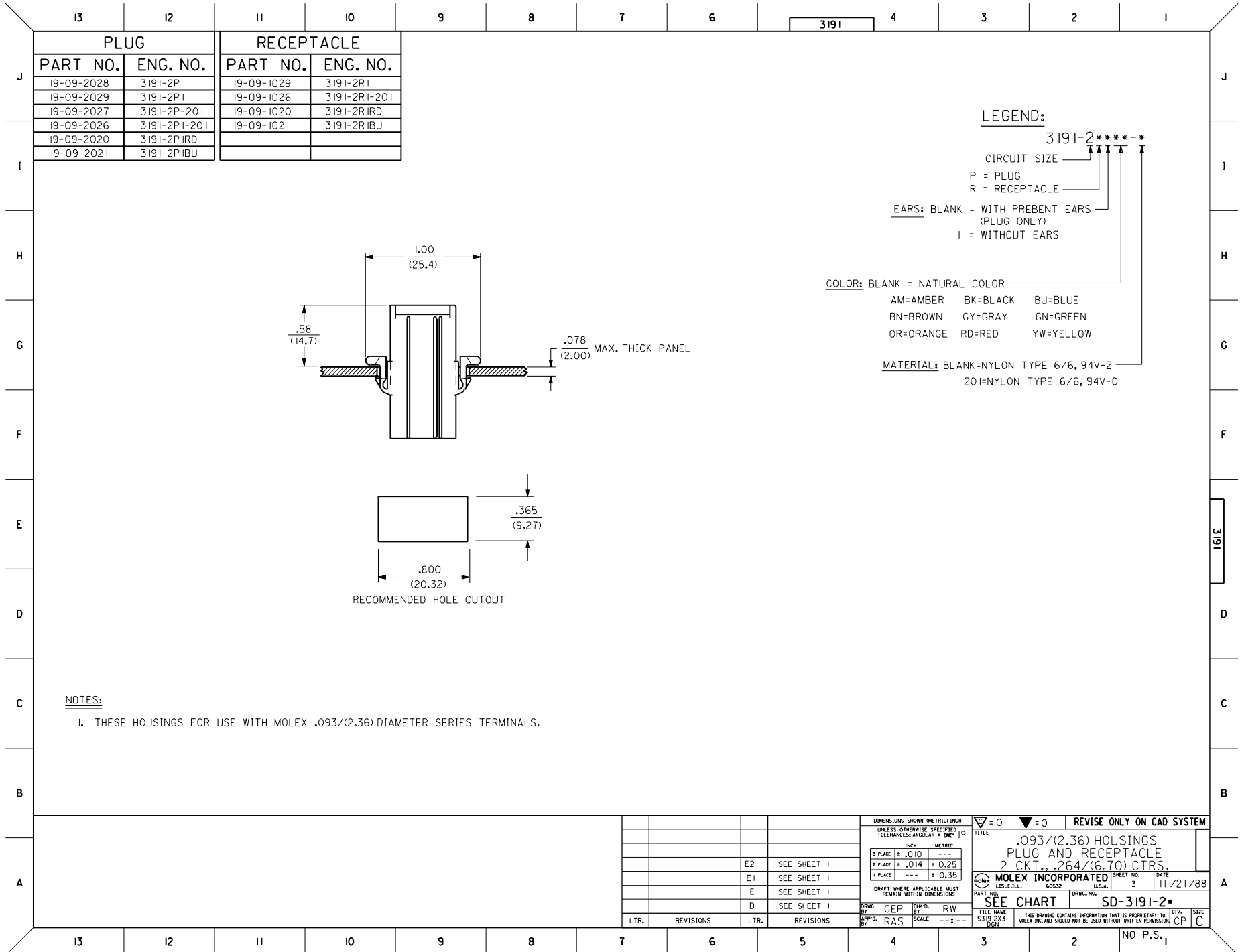
TITLE	.093/(2.36) HOUSING, PLUG AND RECEPTACLE, 2 CKT., .264/(6.70) CTRS.		
PART NO.	MOLEX INCORPORATED	SHEET NO.	DATE
	60532	2	11/21/88

SEE CHART	DRWG. NO.	SD-3191-2
FILE NAME	531912X2	THIS DRAWING CONTAINS INFORMATION THAT IS PROPRIETARY TO MOLEX INC. AND SHOULD NOT BE USED WITHOUT WRITTEN PERMISSION
SCALE	2 : 1	DIV. SIZE
		CPIC

DRWG. BY	GEP	CHK'D. BY	RW
APP'D. BY	RAS	SCALE	2 : 1
LTR.	REVISIONS	LTR.	REVISIONS

SEE SHT. 1

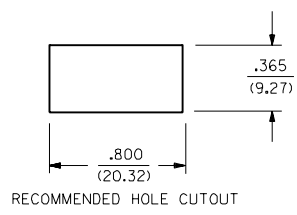
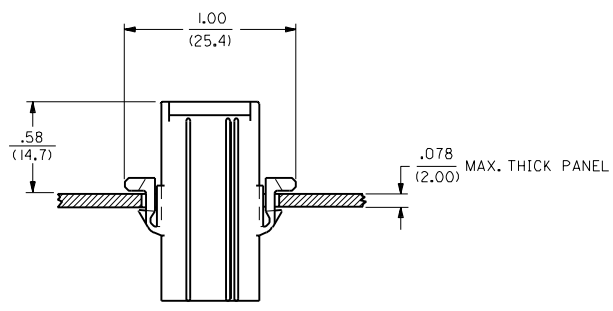
NO P.S. 1



PLUG		RECEPTACLE	
PART NO.	ENG. NO.	PART NO.	ENG. NO.
19-09-2028	3191-2P	19-09-1029	3191-2R1
19-09-2029	3191-2P1	19-09-1026	3191-2R1-201
19-09-2027	3191-2P-201	19-09-1020	3191-2R IRD
19-09-2026	3191-2P1-201	19-09-1021	3191-2R IBU
19-09-2020	3191-2P IRD		
19-09-2021	3191-2P IBU		

LEGEND:
 3191-2****-*
 CIRCUIT SIZE
 P = PLUG
 R = RECEPTACLE
 EARS: BLANK = WITH PREBENT EARS (PLUG ONLY)
 I = WITHOUT EARS

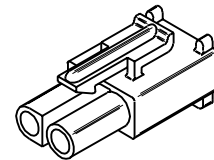
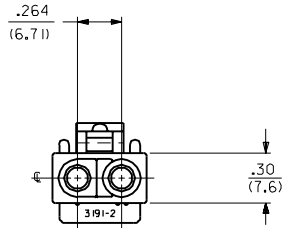
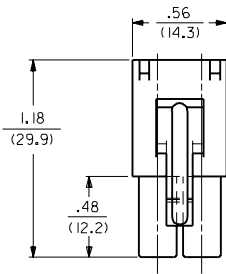
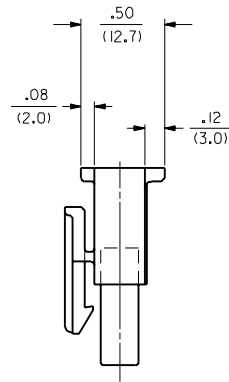
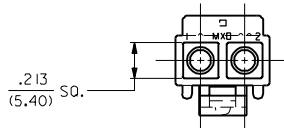
COLOR: BLANK = NATURAL COLOR
 AM=AMBER BK=BLACK BU=BLUE
 BN=BROWN GY=GRAY GN=GREEN
 OR=ORANGE RD=RED YW=YELLOW
MATERIAL: BLANK=NYLON TYPE 6/6, 94V-2
 20I=NYLON TYPE 6/6, 94V-0



NOTES:
 1. THESE HOUSINGS FOR USE WITH MOLEX .093/(2.36) DIAMETER SERIES TERMINALS.

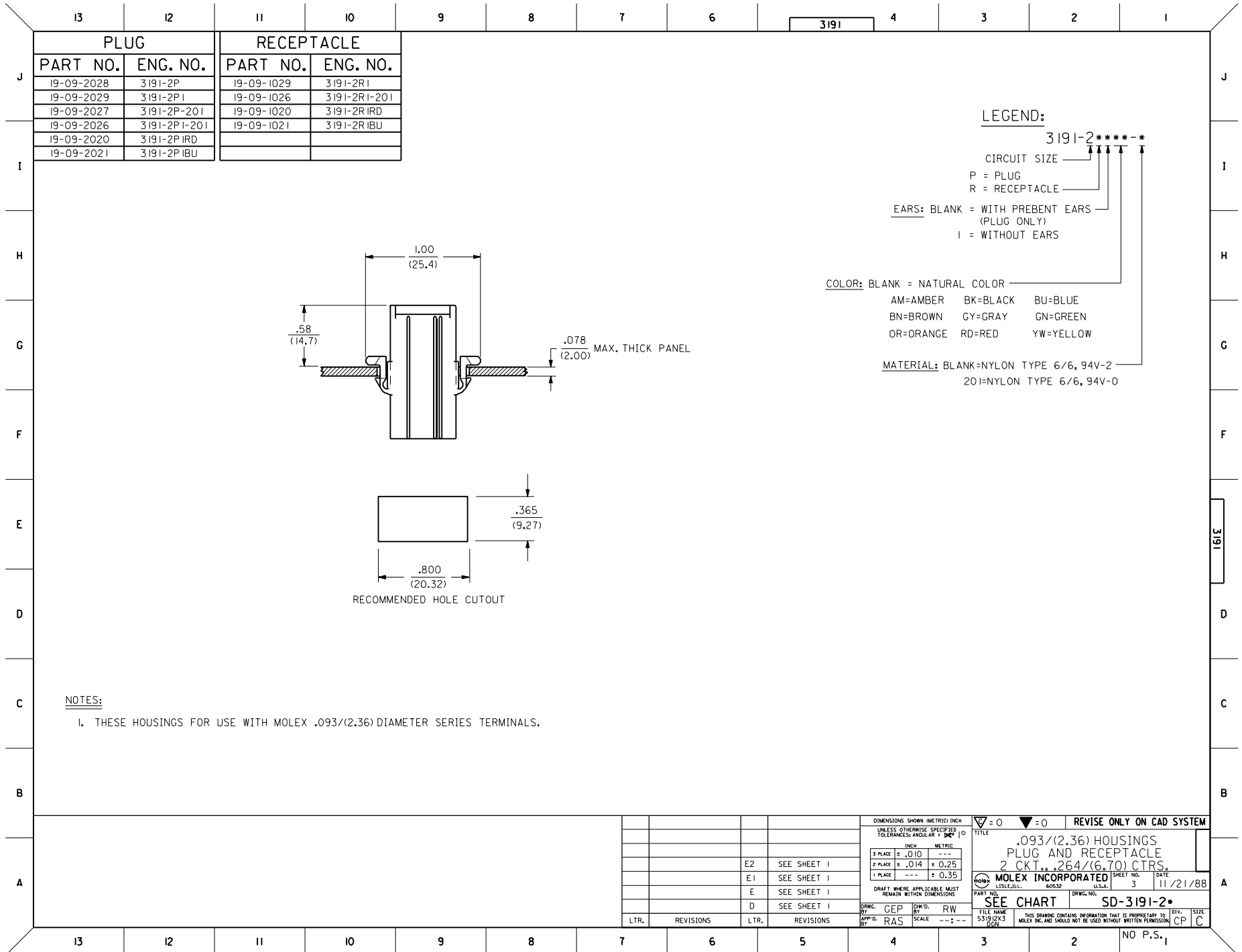
DIMENSIONS SHOWN (METRIC) INCH		▽=0 ▼=0		REVISE ONLY ON CAD SYSTEM	
UNLESS OTHERWISE SPECIFIED TOLERANCES: ANGLES .01°		TITLE		.093/(2.36) HOUSINGS PLUG AND RECEPTACLE 2 CKT., .264/(6.70) CTRS.	
INCH METRIC		MOLEX INCORPORATED		SHEET NO. 3 DATE 11/21/88	
3 PLACE ± .010 ---		LITTLE, JILL. 60532 U.S.A.		PART NO. SD-3191-2*	
2 PLACE ± .014 ± 0.25		SEE CHART		DRAWING NO.	
1 PLACE --- ± 0.35		FILE NAME: 531912X3.DGN		DYN. SIZE: CP C	
DRAFT WHERE APPLICABLE MUST REMAIN WITHIN DIMENSIONS		SCALE: ---:---		THIS DRAWING CONTAINS INFORMATION THAT IS PROPRIETARY TO MOLEX INC. AND SHOULD NOT BE USED WITHOUT WRITTEN PERMISSION.	
DRWG. BY: CEP	CHK'D. BY: RW	APP'D. BY: RAS		NO P.S. 1	
LTR. REVISIONS	LTR. REVISIONS				

E2	SEE SHEET 1
E1	SEE SHEET 1
E	SEE SHEET 1
D	SEE SHEET 1



RECEPTACLE

DIMENSIONS SHOWN METRIC (INCH)		REVISIONS		REVISIONS	
UNLESS OTHERWISE SPECIFIED TOLERANCES: ANGULAR ± .005° TO		D		SEE SHT. 1	
INCH METRIC		LTR.		LTR.	
3 PLACE ± .010	---				
2 PLACE ± .014	± 0.25				
1 PLACE ---	± 0.35				
DRAFT WHERE APPLICABLE MUST REMAIN WITHIN DIMENSIONS					
DRAWN: GEP		CHKD: RW		APP'D: RAS	
BY: RAS		BY: RW		SCALE: 2:1	
FILE NAME: 531912X2		PART NO. SD-3191-2		DRWG. NO. CP C	
TITLE: .093/(2.36) HOUSING, PLUG AND RECEPTACLE, 2 CKT., .264/(6.70) CTRS.		SHEET NO. 2		DATE 11/21/88	
MOLEX INCORPORATED LISLE, ILL. 60532 U.S.A.		DIV. CP C		SIZE	



PLUG		RECEPTACLE	
PART NO.	ENG. NO.	PART NO.	ENG. NO.
19-09-2028	3191-2P	19-09-1029	3191-2R1
19-09-2029	3191-2P1	19-09-1026	3191-2R1-201
19-09-2027	3191-2P-201	19-09-1020	3191-2R IRD
19-09-2026	3191-2P1-201	19-09-1021	3191-2R IBU
19-09-2020	3191-2P IRD		
19-09-2021	3191-2P IBU		

LEGEND:

3191-2****-*

CIRCUIT SIZE

P = PLUG

R = RECEPTACLE

EARS: BLANK = WITH PREBENT EARS (PLUG ONLY)

I = WITHOUT EARS

COLOR: BLANK = NATURAL COLOR

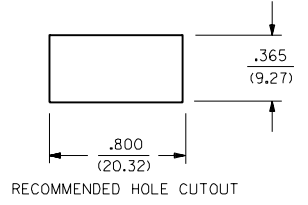
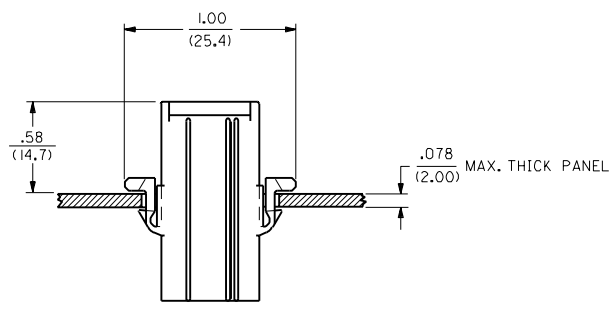
AM=AMBER BK=BLACK BU=BLUE

BN=BROWN GY=GRAY GN=GREEN

OR=ORANGE RD=RED YW=YELLOW

MATERIAL: BLANK=NYLON TYPE 6/6, 94V-2

201=NYLON TYPE 6/6, 94V-0

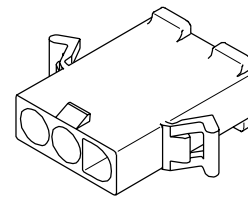
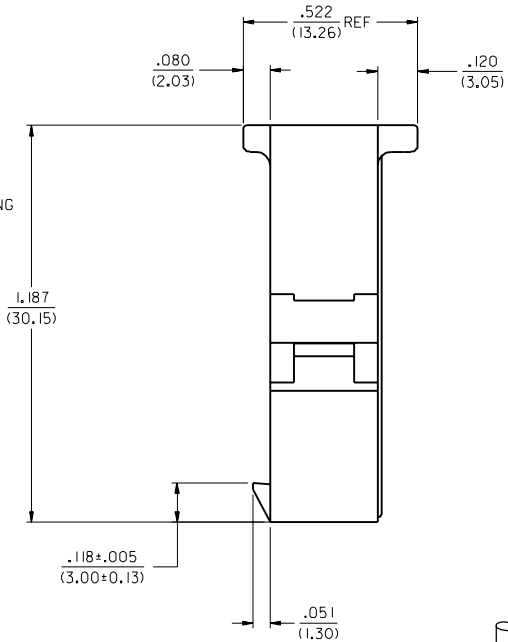
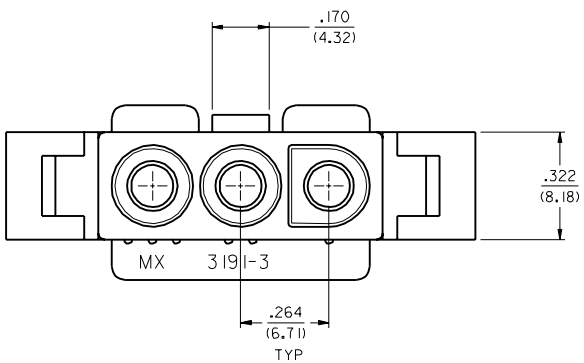
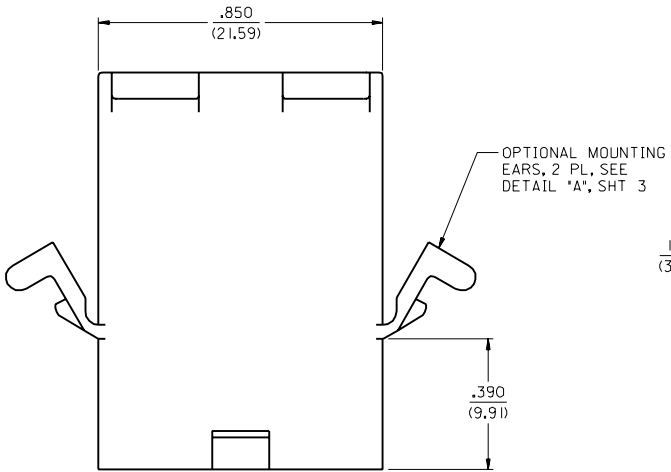
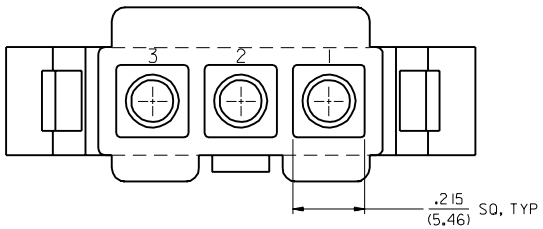


NOTES:

1. THESE HOUSINGS FOR USE WITH MOLEX .093/(2.36) DIAMETER SERIES TERMINALS.

DIMENSIONS SHOWN (METRIC) INCH		▽=0 ▼=0		REVISE ONLY ON CAD SYSTEM	
UNLESS OTHERWISE SPECIFIED TOLERANCES: ANGLES .015 °		TITLE		.093/(2.36) HOUSINGS PLUG AND RECEPTACLE 2 CKT., .264/(6.70) CTRS.	
INCH METRIC		MOLEX INCORPORATED		SHEET NO. 3 DATE 11/21/88	
3 PLACE ± .010 ---		LITTLE, JILL. 60532 U.S.A.		PART NO. SD-3191-2*	
2 PLACE ± .014 ± 0.25		SEE CHART		DRAWING NO.	
1 PLACE --- ± 0.35		FILE NAME: 531912X3.DGN		DYN. SIZE: CP C	
DRAFT WHERE APPLICABLE MUST REMAIN WITHIN DIMENSIONS		SCALE: ---:---		THIS DRAWING CONTAINS INFORMATION THAT IS PROPRIETARY TO MOLEX INC. AND SHOULD NOT BE USED WITHOUT WRITTEN PERMISSION.	
DRAWING BY: CEP		ENK'D BY: RW			
APP'D BY: RAS					
LTR. REVISIONS		LTR. REVISIONS			

NO P.S. 1



PLUG

3	J5			
2	J5	J5	REDRAWN ON CAD	
1	J5		ECR U6 0734	RW
			CK 1/8/96	

MMB, SH, REV, LTR, REVISIONS

DIMENSIONS SHOWN METRIC (INCH) UNLESS OTHERWISE SPECIFIED TOLERANCES: ANGULAR ± 1/2°

INCH	METRIC
3 PLACE ± .010	---
2 PLACE ± .015	± 0.25
1 PLACE ---	± 0.38

DRAFT WHERE APPLICABLE MUST REMAIN WITHIN DIMENSIONS

FILE NAME: SD-3191-3
 DRAWING NO.: 60532
 SHEET NO.: 1 of 3
 DATE: 1/ 8/96

MOLEX INCORPORATED
 LISLE, ILL. U.S.A.

SEE CHART

THIS DRAWING CONTAINS INFORMATION THAT IS PROPRIETARY TO MOLEX INC. AND SHOULD NOT BE USED WITHOUT WRITTEN PERMISSION.

PLUG		RECEPTACLE	
PART NO.	ENG. NO.	PART NO.	ENG. NO.
19-09-2038	3191-3P	19-09-1039	3191-3R1
19-09-2039	3191-3P1	19-09-1036	3191-3R1-201
19-09-2037	3191-3P-201	19-09-3030	3191-3R1RD
19-09-2036	3191-3P1-201		
19-09-1038	3191-3P1RD		
19-09-3032	3191-3PRD		
19-09-3033	3191-3PBU		

LEGEND

3191-3*****

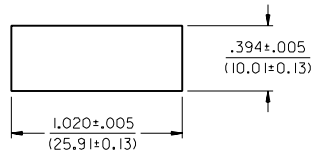
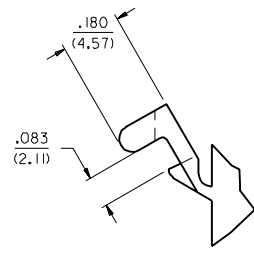
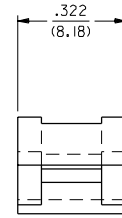
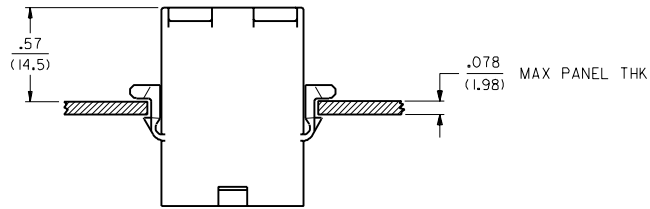
CIRCUIT SIZE

P = PLUG
R = RECEPTACLE

EARS: BLANK = WITH PREBENT EARS (PLUG ONLY)
I = WITHOUT EARS

COLOR: BLANK = NATURAL COLOR
AM=AMBER BK=BLACK BU=BLUE
BN=BROWN GY=GRAY GN=GREEN
OR=ORANGE RD=RED YW=YELLOW
COLORS AVAILABLE ONLY IN 94V-2 MATERIAL

MATERIAL: BLANK=NYLON TYPE 6/6,94V-2
201=NYLON TYPE 6/6, 94V-0



RECOMMENDED HOLE CUTOUT

DETAIL "A"
PREBENT MOUNTING EAR
(SCALE 4:1)

DIMENSIONS SHOWN (METRIC) INCH		▽=0	▼=0	REVISE ONLY ON CAD SYSTEM
UNLESS OTHERWISE SPECIFIED TOLERANCES ANGULAR ± 1/2°		TITLE		
		.093/(2.36) HOUSINGS		
		PLUG AND RECEPTACLE		
		3 CKT. ± .264/(6.71) CTRS.		
		MOLEX INCORPORATED		
		LITTLE,ILL. 60532 U.S.A. SHEET NO. 3 DATE 1/8/96		
		PART NO. SEE CHART DRWG. NO. SD-3191-3*		
		FILE NAME: 531913X3.DGN		
		THIS DRAWING CONTAINS INFORMATION THAT IS PROPRIETARY TO MOLEX INC. AND SHOULD NOT BE USED WITHOUT WRITTEN PERMISSION CPIC		

PLUG	
PART NO.	ENG. NO.
19-09-2038	3191-3P
19-09-2039	3191-3PI
19-09-2037	3191-3P-201
19-09-2036	3191-3PI-201
19-09-1038	3191-3PIRD
19-09-3032	3191-3PRD
19-09-3033	3191-3PBU

RECEPTACLE	
PART NO.	ENG. NO.
19-09-1039	3191-3RI
19-09-1036	3191-3RI-201
19-09-3030	3191-3RIRD

LEGEND

3191-3****-*

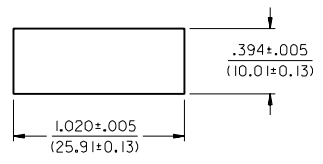
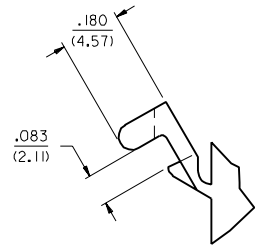
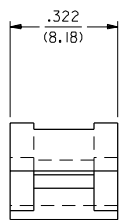
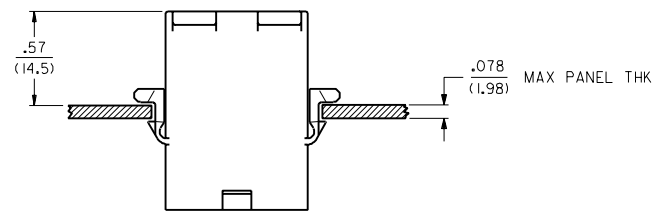
CIRCUIT SIZE

P = PLUG
R = RECEPTACLE

EARS: BLANK = WITH PREBENT EARS (PLUG ONLY)
I = WITHOUT EARS

COLOR: BLANK = NATURAL COLOR
AM=AMBER BK=BLACK BU=BLUE
BN=BROWN GY=GRAY GN=GREEN
OR=ORANGE RD=RED YW=YELLOW
COLORS AVAILABLE ONLY IN 94V-2 MATERIAL

MATERIAL: BLANK=NYLON TYPE 6/6,94V-2
201=NYLON TYPE 6/6,94V-0

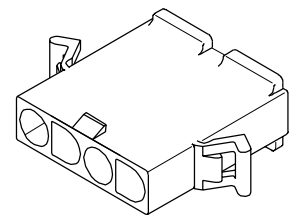
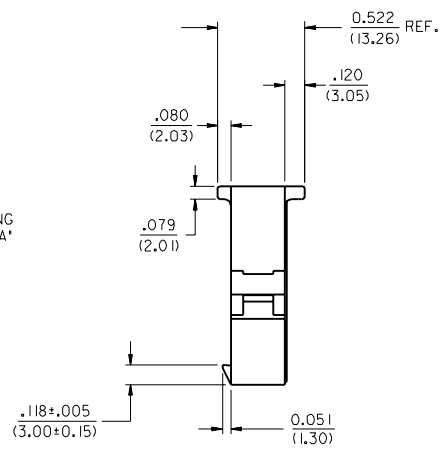
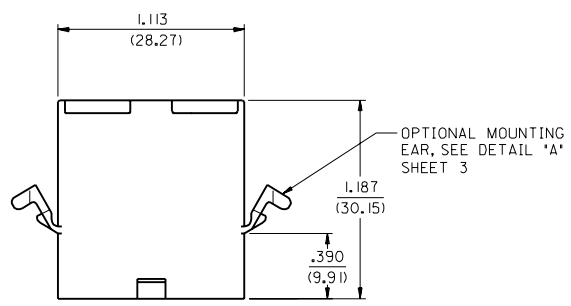
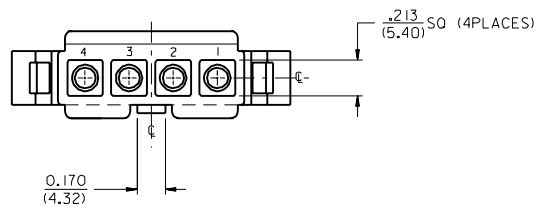


RECOMMENDED HOLE CUTOUT

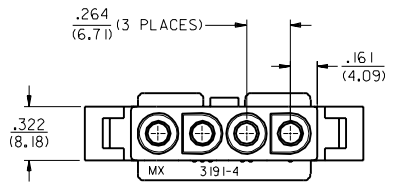
DETAIL "A"
PREBENT MOUNTING EAR
(SCALE 4:1)

DIMENSIONS SHOWN (METRIC) INCH		▽ = 0	▼ = 0	REVISE ONLY ON CAD SYSTEM
UNLESS OTHERWISE SPECIFIED TOLERANCES ANGULAR ± 1/2°		TITLE		
		.093/(2.36) HOUSINGS PLUG AND RECEPTACLE 3 CKT ±.264/(6.71) CTRS.		
		MOLEX INCORPORATED SHEET NO. 3 DATE 1/8/96		
		LITSEJLL 60532 U.S.A.		
		PART NO. SD-3191-3*		
		DRAWING CHART		
		FILE NAME S31913X3.DWG		
		THIS DRAWING CONTAINS INFORMATION THAT IS PROPRIETARY TO MOLEX INC. AND SHOULD NOT BE USED WITHOUT WRITTEN PERMISSION.		
		DIV. CP		
		SIZE C		

LTR.	REVISIONS	LTR.	REVISIONS
	J5		SEE SHEET 1



PLUG HOUSING



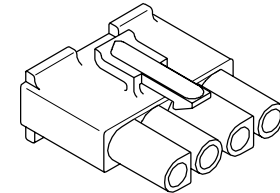
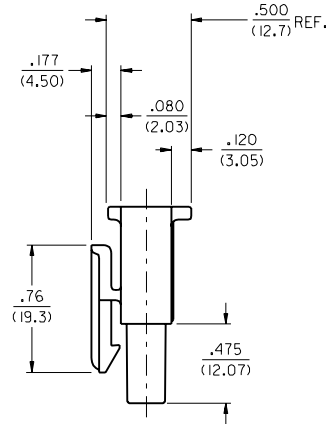
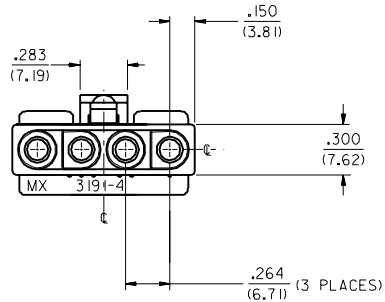
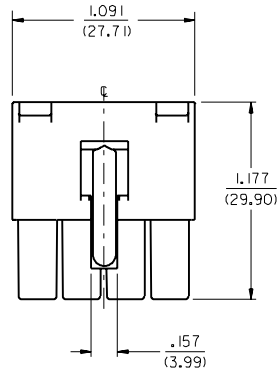
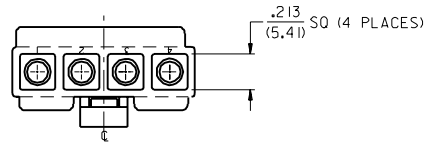
3	J3
2	J3
1	J3

REDRAWN ON CAD EC NO. UCR1998-0254 DRW: J. WANG 0006007 CHK: WIRKUS 0006007 APPR: R. EDGLEY 0006007	QUALITY SYMBOLS MAJOR $\blacktriangledown=0$ CRITICAL $\nabla=0$	GENERAL TOLERANCES: (UNLESS SPECIFIED)		SCALE 2 : 1	DESIGN UNITS <input type="checkbox"/> mm <input checked="" type="checkbox"/> INCH	THIRD ANGLE PROJECTION <input type="checkbox"/> mm <input checked="" type="checkbox"/> INCH <input type="checkbox"/> mm ONLY	DIMENSIONS: <input type="checkbox"/> mm <input checked="" type="checkbox"/> INCH <input type="checkbox"/> mm ONLY	SHT REV	REVISE ON CAD ONLY	
		4 PLACES ±0.--- ±.---	3 PLACES ±0.--- ±.010	2 PLACES ±0.25 ±.015	1 PLACE ±0.38 ±.---					ANGULAR: ±1 °
J3	REV	DRAFT WHERE APPLICABLE MUST REMAIN WITHIN DIMENSIONS			APPROVED BY & DATE R. EDGLEY 98/08/24	CAD FILENAME S3191401.DGN	MATERIAL NO. SEE SHT. 3	DRAWING NO. SD -3191 -4*	SHEET NO. 1 OF 3	SIZE C
		THIS DRAWING CONTAINS INFORMATION THAT IS PROPRIETARY TO MOLEX INCORPORATED AND SHOULD NOT BE USED WITHOUT WRITTEN PERMISSION.								

13 12 11 10 9 8 7 6 5 4 3 2 3191

J
I
H
G
F
E
D
C
B
A

J
I
H
G
F
E
D
C
B
A



RECEPTACLE

EC NO. LCR1998-0254 DRWG: J.WANG 000607 CHK: B.WIRKUS 000607 APPR: R.EDGE 000607	QUALITY SYMBOLS MAJOR $\nabla=0$ CRITICAL $\nabla C=0$	GENERAL TOLERANCES: (UNLESS SPECIFIED)		SCALE 2 : 1	DESIGN UNITS <input type="checkbox"/> mm <input checked="" type="checkbox"/> INCH	DIMENSIONS: <input type="checkbox"/> mm <input checked="" type="checkbox"/> INCH <input type="checkbox"/> mm ONLY	SHT. REV REVISE ON CAD ONLY	
		4 PLACES $\pm 0, - - -$ $\pm, - - -$ 3 PLACES $\pm 0, - - -$ $\pm, 0 10$ 2 PLACES $\pm 0, 25$ $\pm, 0 15$ 1 PLACE $\pm 0, 38$ $\pm, - - -$	DRAWN BY & DATE J.WANG 98/08/24	TITLE: .093/(2.36) HOUSINGS PLUG AND RECEPTACLE 4 CKT., .264/(6.70) CTRS		CHECKED BY & DATE B.WIRKUS 98/08/24		APPROVED BY & DATE R.EDGELEY 98/08/24
J3	DESCRIPTION MX 3191-4	ANGLAR: ± 1 °		CAD FILENAME S3191402.DGN	MATERIAL NO. SEE SHT.3	DRAWING NO. SD -3191 -4*	SHEET NO. 2	
DRAFT WHERE APPLICABLE MUST REMAIN WITHIN DIMENSIONS				THIS DRAWING CONTAINS INFORMATION THAT IS PROPRIETARY TO MOLEX INCORPORATED AND SHOULD NOT BE USED WITHOUT WRITTEN PERMISSION.				SIZE C

13 12 11 10 9 8 7 6 5 4 3 2 3191

PLUG	
PART NO.	ENG. NO.
19-09-2048	3191-4P
19-09-2049	3191-4P1
19-09-2047	3191-4P-A
19-09-2046	3191-4P1-A

RECEPTACLE	
PART NO.	ENG. NO.
19-09-1049	3191-4R1
19-09-1046	3191-4R1-A

LEGEND

3191-4*****

CIRCUIT SIZE

P = PLUG
R = RECEPTACLE

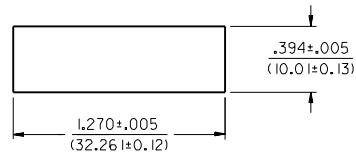
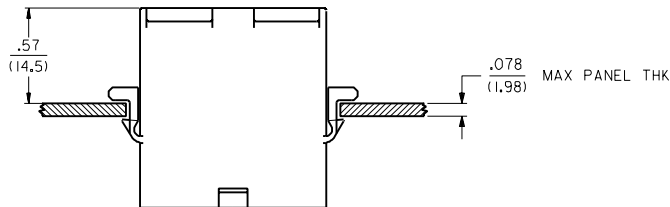
EARS: BLANK = WITH PREBENT EARS (PLUG ONLY)
I = WITHOUT EARS

COLOR: BLANK = NATURAL COLOR

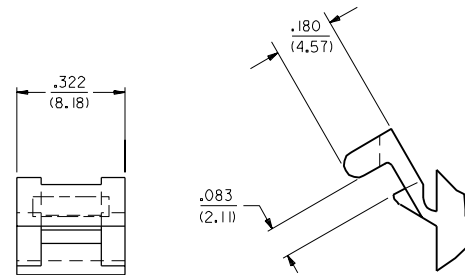
AM=AMBER BK=BLACK BU=BLUE
BN=BROWN GY=GRAY GN=GREEN
OR=ORANGE RD=RED YW=YELLOW

COLORS AVAILABLE ONLY IN 94V-2 MATERIAL

MATERIAL: BLANK=NYLON TYPE 6/6, 94V-2 COLOR:NATURAL
A=NYLON TYPE 6/6, 94V-0 COLOR:WHITE



RECOMMENDED HOLE CUTOUT



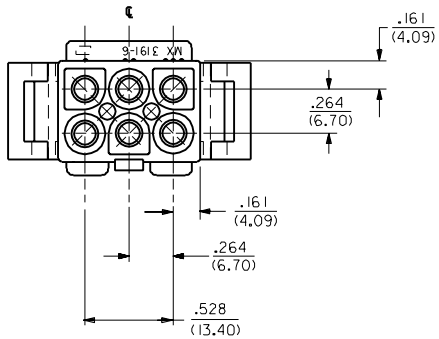
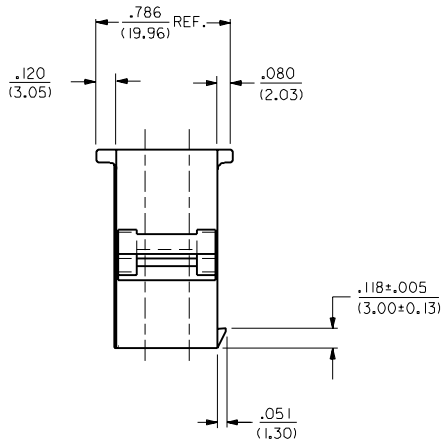
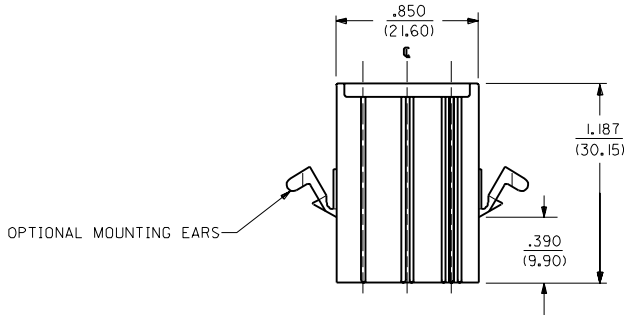
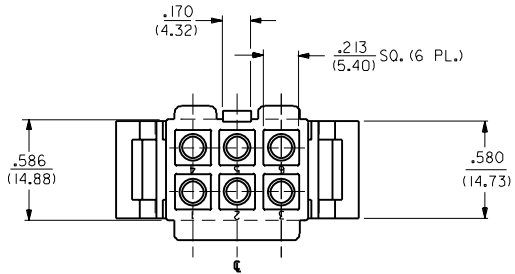
DETAIL "A"
.093/(2.36) PREBENT MOUNTING EAR
(SCALE 4:1)

J
I
H
G
F
E
D
C
B
A

J
I
H
G
F
E
D
C
B
A

EC NO. UCR1998-0254 DRAWN BY J.WANG 000607 CHKD BY B.WIRKUS 000607 APPRD BY R.EDGLEY 000607	QUALITY SYMBOLS MAJOR $\nabla=0$ CRITICAL $\nabla C=0$	GENERAL TOLERANCES: (UNLESS SPECIFIED)		SCALE 2:1	DESIGN UNITS <input type="checkbox"/> mm <input checked="" type="checkbox"/> INCH	THIRD ANGLE PROJECTION	DIMENSIONS: <input type="checkbox"/> mm <input checked="" type="checkbox"/> INCH <input type="checkbox"/> mm ONLY	SHT	REV
		4 PLACES ±0.--- ±.--- 3 PLACES ±0.--- ±.010 2 PLACES ±0.25 ±.015 1 PLACE ±0.38 ±.---	mm	INCH	DRAWN BY & DATE J.WANG 98/08/18	CHECKED BY & DATE B.WIRKUS 98/08/18	TITLE: .093/(2.36) HOUSINGS PLUG AND RECEPTACLE 4-CKTS, .264/(6.70) CTRS		
J3	DESCRIPTION REV	ANGULAR: ± 1 °		CAD FILENAME S3191403.DGN	MATERIAL NO. SEE SHT.3	DRAWING NO. SD -3191-4*	SHEET NO. 3		
		DRAFT WHERE APPLICABLE MUST REMAIN WITHIN DIMENSIONS		THIS DRAWING CONTAINS INFORMATION THAT IS PROPRIETARY TO MOLEX INCORPORATED AND SHOULD NOT BE USED WITHOUT WRITTEN PERMISSION.		MOLEX INCORPORATED		SIZE C	

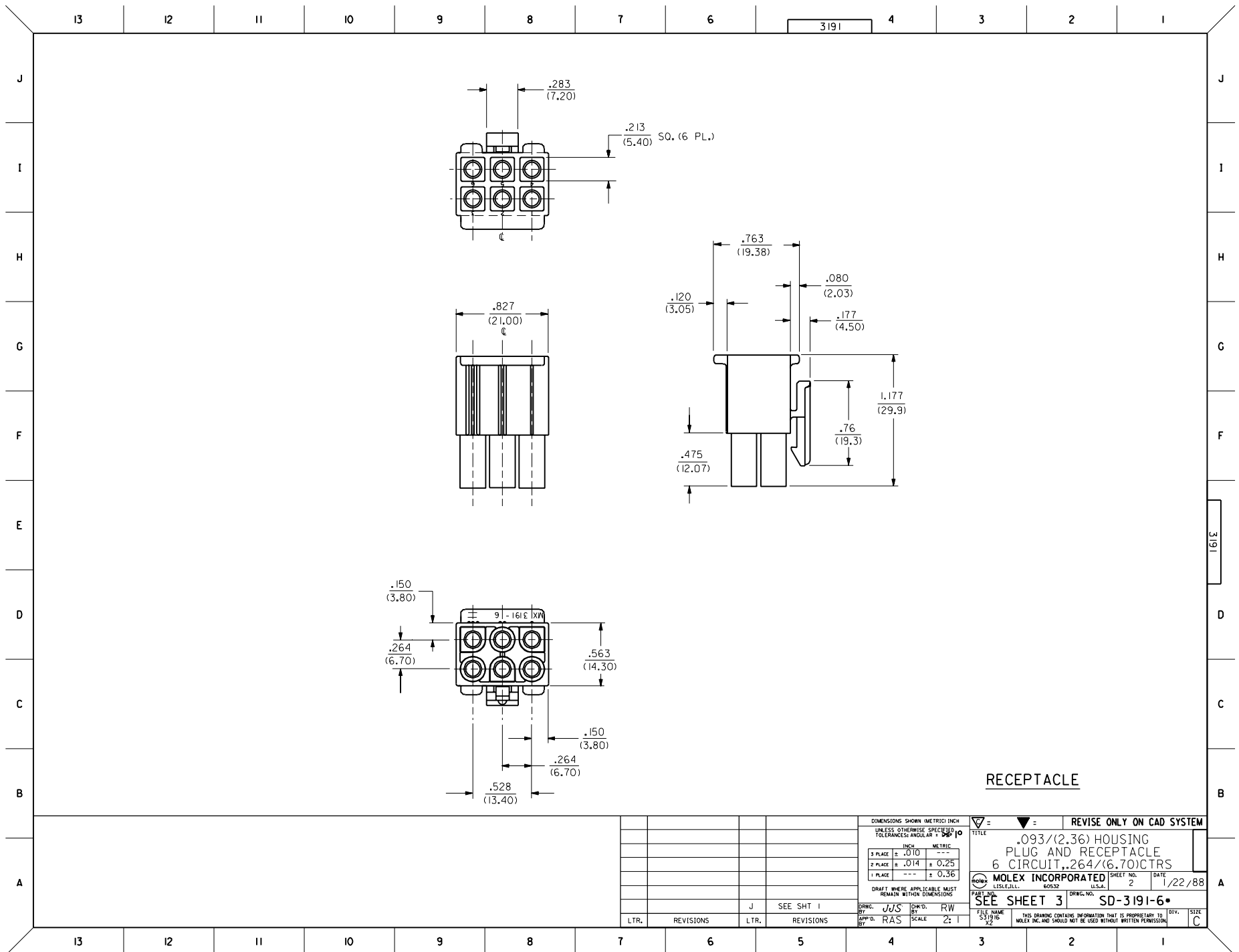
LBORD.DGN REV A 96/06/12 LEVEL 5 12 11 10 9 8 7 6 5 4 3 2 1



PLUG

MI	ADD RAMP LENGTH ECN #U4 0293 3-1-94 RW			
M	REVISED PER ECR # U90659 KBW 07-25-89 RW			
L	ADDED STANDOFFS PER ECR UB 2271 GEP 11-30-88 RW			
K	REV. & FINAL REL. ECR UB 1710 GEP 7-14-88 RW			
J	REVISED & REDRAWN PER ECR UB 0122 2-2-88 SCHAFFER			
MFG.	SH.	REV.	LTR.	REVISIONS

DIMENSIONS SHOWN METRIC (INCH)		▽ = 0	▼ = 0	REVISE ONLY ON CAD SYSTEM
UNLESS OTHERWISE SPECIFIED TOLERANCES ANGULAR ± 0°		TITLE		
INCH METRIC		.093/(2.36) HOUSING PLUG AND RECEPTACLE 6 CKT. .264/(6.70) CTRS.		
3 PLACE ± .010	---	MOLEX INCORPORATED SHEET NO. DATE L15LEJLL. 60532 U.S.A. 1 OF 3 1/25/88		
2 PLACE ± .014	± 0.25	PART NO. DRWG. NO.		
1 PLACE --- ± 0.36	---	SEE CHART SD-3191-6*		
DRAFT WHERE APPLICABLE MUST REMAIN WITHIN DIMENSIONS		FILE NAME S31916.X1 1620		
DRWG. BY: JUS	CHKD. BY: RW	THIS DRAWING CONTAINS INFORMATION THAT IS PROPRIETARY TO MOLEX INC. AND SHOULD NOT BE USED WITHOUT WRITTEN PERMISSION.		
APP'D. RAS	SCALE 2 : 1	SIZE CP C		



RECEPTACLE

DIMENSIONS SHOWN (METRIC) INCH
UNLESS OTHERWISE SPECIFIED
TOLERANCES ANGLES ARE ± .001

	INCH	METRIC
3 PLACE	± .010	---
2 PLACE	± .014	± 0.25
1 PLACE	---	± 0.36

DRAFT WHERE APPLICABLE MUST REMAIN WITHIN DIMENSIONS

REVISIONS

TITLE		REVISE ONLY ON CAD SYSTEM	
.093/(2.36) HOUSING PLUG AND RECEPTACLE 6 CIRCUIT, .264/(6.70) CTRS			
PART NO. SEE SHEET 3		DATE 1/22/88	
MOLEX INCORPORATED LITTLE ROCK, ARK. 60532 U.S.A.		SHEET NO. 2	
DRAWING NO. SD-3191-6*		DWN. BY RW	
FILE NAME S31916		SCALE 2:1	
THIS DRAWING CONTAINS INFORMATION THAT IS PROPRIETARY TO MOLEX INC. AND SHOULD NOT BE USED WITHOUT WRITTEN PERMISSION			DIV. C

LTR.	REVISIONS	LTR.	REVISIONS
		J	SEE SHT 1

A

A

PLUG		RECEPTACLE	
PART NO.	ENG. NO.	PART NO.	ENG. NO.
19-09-2068	3191-6P	19-09-1069	3191-6R1
19-09-2069	3191-6P1	19-09-1066	3191-6R1-201
19-09-2067	3191-6P-201	19-09-6060	3191-6R IRD
19-09-2066	3191-6P1-201	19-09-6069	3191-6R IBK
19-09-7069	3191-6PRD		
19-09-7068	3191-6PBK		

LEGEND:

3191-6****-*

CIRCUIT SIZE

P = PLUG

R = RECEPTACLE

EARS: BLANK = WITH PREBENT EARS (PLUG ONLY)

I = WITHOUT EARS

COLOR: BLANK = NATURAL COLOR

AM=AMBER BK=BLACK BU=BLUE

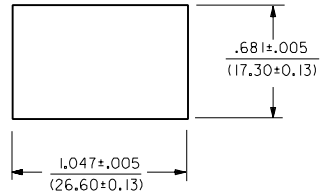
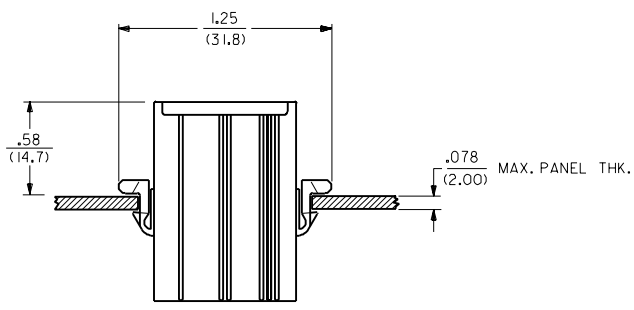
BN=BROWN GY=GRAY GN=GREEN

OR=ORANGE RD=RED YW=YELLOW

COLORS AVAILABLE ONLY IN 94V-2 MATERIAL

MATERIAL: BLANK=NYLON TYPE 6/6, 94V-2

201=NYLON TYPE 6/6, 94V-0



RECOMMENDED HOLE CUTOUT

MOUNTING HOLE DETAIL

3191

DIMENSIONS SHOWN (METRIC) INCH UNLESS OTHERWISE SPECIFIED TOLERANCES: ANGLES .01 ± .01

INCH	METRIC
3 PLACE ± .010	---
2 PLACE ± .014	± 0.25
1 PLACE ---	± 0.36

DRAFT WHERE APPLICABLE MUST REMAIN WITHIN DIMENSIONS

DRWG. BY: JUS	CHK'D. BY: RW
APP'D. BY: RAS	SCALE: --:--

REVISIONS

LTR.	REVISIONS	LTR.	REVISIONS
M	SEE SHEET 1		
L	SEE SHT. 1		
K	SEE SHT. 1		
J	SEE SHT. 1		

REVISIONS ONLY ON CAD SYSTEM

TITLE: .093/(2.36) HOUSINGS PLUG AND RECEPTACLE 6 CKT., .264/(6.70) CTRS.

MOLEX INCORPORATED 60532 U.S.A. SHEET NO. 3 DATE 1/22/88

SEE CHART SD-3191-6*

THIS DRAWING CONTAINS INFORMATION THAT IS PROPRIETARY TO MOLEX INC. AND SHOULD NOT BE USED WITHOUT WRITTEN PERMISSION

FILE NAME: S31916X3.DGN

DIV. SIZE: CP/C

3191