

LEGEND:

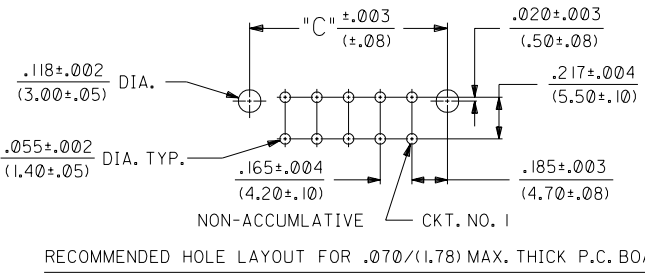
A - 42440 - * * * *

BASE NUMBER

CIRCUIT SIZE (02-24)

PLATING (SEE NOTE 6.)

HOUSING MAT'L. & OPTIONS (SEE NOTE 1.)



RECOMMENDED HOLE LAYOUT FOR .070/(.178) MAX. THICK P.C. BOARD

(SEE NOTE 5) (SCALE: 2X)

CIRCUIT SIZE	DIM. "A"	DIM. "B"	DIM. "C"	DIM. "D"	DIM. "E"
2	—	.21 (5.4)	.370 (9.40)	.425 (10.80)	.520 (13.20)
4	.17 (4.2)	.38 (9.6)	.535 (13.60)	.590 (15.00)	.685 (17.40)
6	.33 (8.4)	.54 (13.8)	.701 (17.80)	.756 (19.20)	.850 (21.60)
8	.50 (12.6)	.71 (18.0)	.866 (22.00)	.921 (23.40)	1.016 (25.80)
10	.66 (16.8)	.87 (22.2)	1.031 (26.20)	1.087 (27.60)	1.181 (30.00)
12	.83 (21.0)	1.04 (26.4)	1.197 (30.40)	1.252 (31.80)	1.346 (34.20)
14	.99 (25.2)	1.20 (30.6)	1.362 (34.60)	1.417 (36.00)	1.512 (38.40)
16	1.16 (29.4)	1.37 (34.8)	1.528 (38.80)	1.583 (40.20)	1.677 (42.60)
18	1.32 (33.6)	1.54 (39.0)	1.693 (43.00)	1.748 (44.40)	1.843 (46.80)
20	1.49 (37.8)	1.70 (43.2)	1.858 (47.20)	1.913 (48.60)	2.008 (51.00)
22	1.65 (42.0)	1.87 (47.4)	2.024 (51.40)	2.079 (52.80)	2.173 (55.20)
24	1.82 (46.2)	2.03 (51.6)	2.189 (55.60)	2.244 (57.00)	2.339 (59.40)

--22, --42	42474--21, 5556-PBGS*P	94V-0	PHOS. BRZ.	GOLD
--12, --32	42474--11, 5556-PBGS*P	94V-2		
--22, --42, --23, --43	42474--21, 5556-GS*P	94V-0	BRASS	GOLD
--12, --32, --13, --33	42474--11, 5556-GS*P	94V-2		
--21, --41	42474--21, 5556-PBS*P	94V-0	PHOS. BRZ.	TIN
--11, --31	42474--11, 5556-PBS*P	94V-2		
--21, --41	42474--21, 5556-S*P	94V-0	BRASS	TIN
--11, --31	42474--11, 5556-S*P	94V-2		
--22, --42	A-42385--D2, --D4	94V-0	PHOS. BRZ.	GOLD
--12, --32	A-42385--C2, --C4	94V-2		
--22, --42, --23, --43	A-42385--B2, --B4	94V-0	BRASS	GOLD
--12, --32, --13, --33	A-42385--A2, --A4	94V-2		
--21, --41	A-42385--D1	94V-0	PHOS. BRZ.	TIN
--11, --31	A-42385--C1	94V-2		
--21, --41	A-42385--B1	94V-0	BRASS	TIN
--11, --31	A-42385--A1	94V-2		

VERT. HEADER A-42440	MATING CONNECTOR	HSG. MAT'L.	TERM. MAT'L.	PLATING
				MATING CONNECTOR FEATURES

M1	REV. WORKMANAGER UCP2003-1800 POLGAR 03-02-20
M	REV. PLTG. TIN-LEAD UCP2003-1486 CSTEWARD, 03-01-07
L	REV. PS NOTE UCP2003-0395 9/3/2002 SAMIEC
K5	FINAL REL. -1612 ECN UCP2003-0052 POLGAR 02-7-15
K4	REVISED UCR2002-0776 BANDURA 02/03/15
K3	REVISED UCR2002-0297 BANDURA 01/09/24
K2	REVISED ECN UCP2000-0543 HRIBAR 00/02/21
M	UPDATE REF FILE UCR1998-0122 SAMIEC 98-4-1
K1	
K2	
M1	

DRWG. BY: GEP
APP'D. BY: RAS

CHK'D. BY: RJF
SCALE: 4:1

FILE NAME: S42440X1 DGN

TITLE: MINI-FIT B.M.I. VERTICAL HEADER ASS'Y. WITH DRAIN HOLE OPTION.

REVISED ONLY ON CAD SYSTEM

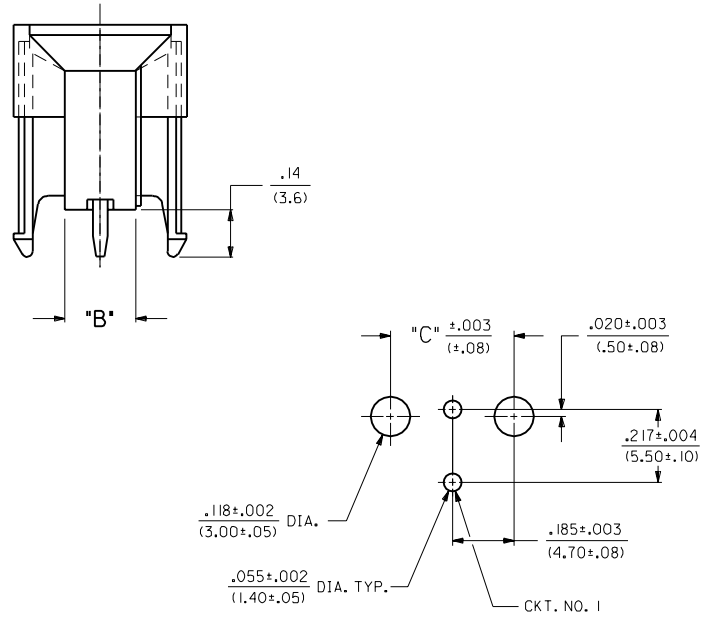
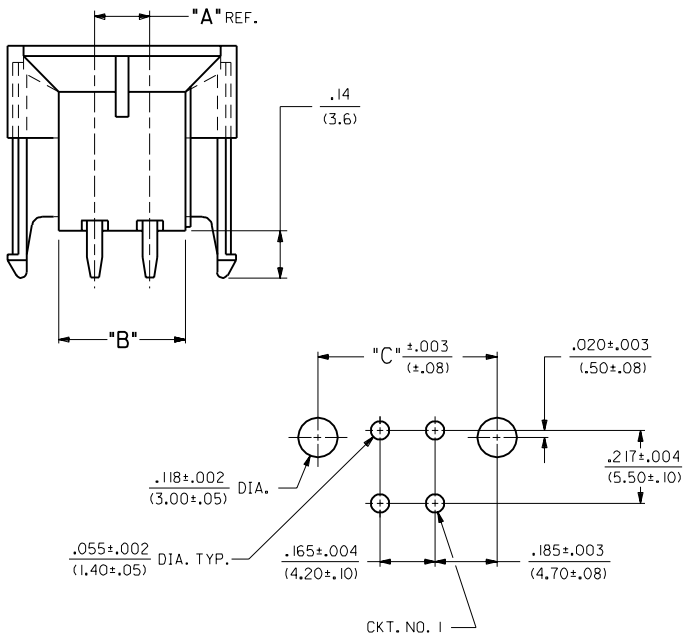
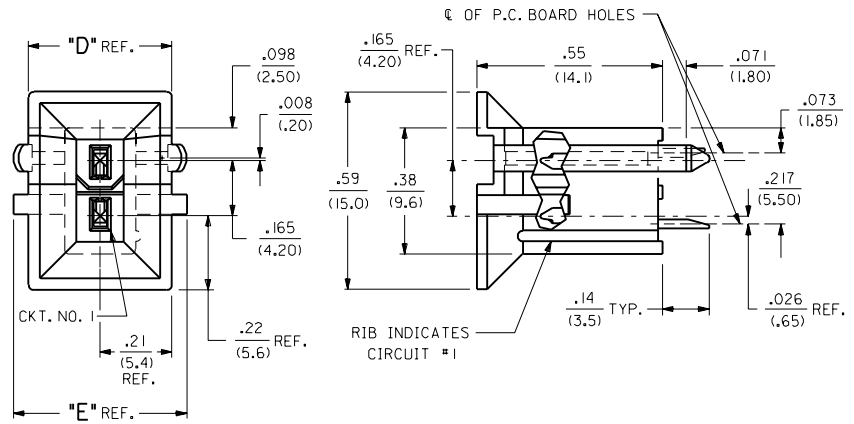
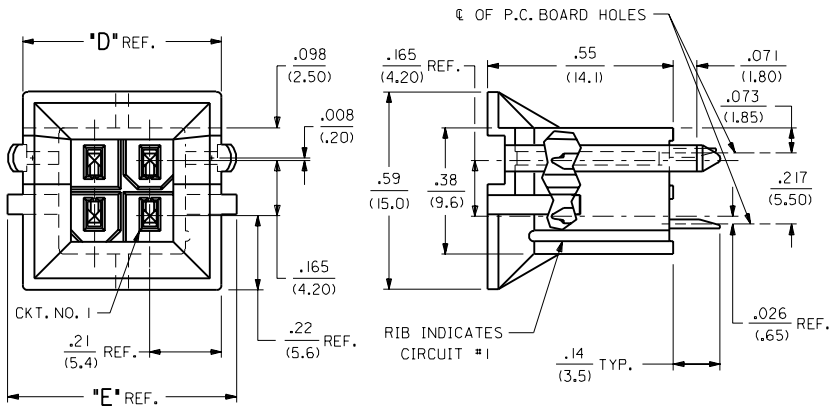
MOLEX INCORPORATED
LITSE, ILL. 60532 U.S.A.

SHEET NO. 1 OF 8
DATE: 04/06/89

SEE SHT. 4
SDA-42440-****

42440

42440



RECOMMENDED HOLE LAYOUT FOR .070/(1.78) MAX. THICK P.C. BOARD
(SEE NOTE 5)

RECOMMENDED HOLE LAYOUT FOR .070/(1.78) MAX. THICK P.C. BOARD
(SEE NOTE 5)

J4		SEE SHT. 1	DIMENSIONS SHOWN (METRIC) INCH UNLESS OTHERWISE SPECIFIED TOLERANCES ANGLES ARE ± .004 50		▽ = 0 ▼ = 0	REVISE ONLY ON CAD SYSTEM
J1		SEE SHT. 1	INCH METRIC		TITLE	
H		SEE SHT. 1	3 PLACE ± .010 ---		MINI-FIT JR. VERT. HEADER ASS'YS. WITH BLIND-MATE AND DRAIN HOLE OPTION	
E1		SEE SHT. 1	2 PLACE ± .015 ± 0.25		MOLEX INCORPORATED SHEET NO. 2 DATE 04/06/89	
D		SEE SHT. 1	1 PLACE --- ± 0.38		PART NO. SEE SHT. 4 DRWG. NO. SDA-42440-****	
K2		SEE SHEET #1	DRAFT WHERE APPLICABLE MUST REMAIN WITHIN DIMENSIONS		FILE NAME: S42440X2.DGN	
K1		SEE SHEET 1	DRWG. BY: CEP CHK'D. BY: RJF		THIS DRAWING CONTAINS INFORMATION THAT IS PROPRIETARY TO MOLEX INC. AND SHOULD NOT BE USED WITHOUT WRITTEN PERMISSION	
K		SEE SHT. 1	APP'D. BY: RAS SCALE: 4 : 1		DIV. SIZE CP C	
LTR.		REVISIONS	LTR.		REVISIONS	

NOTES:

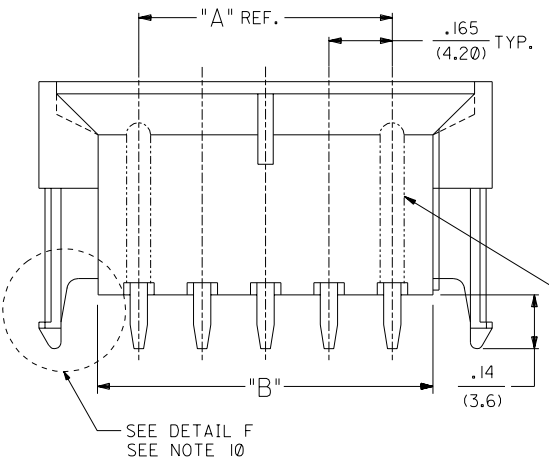
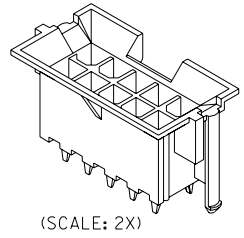
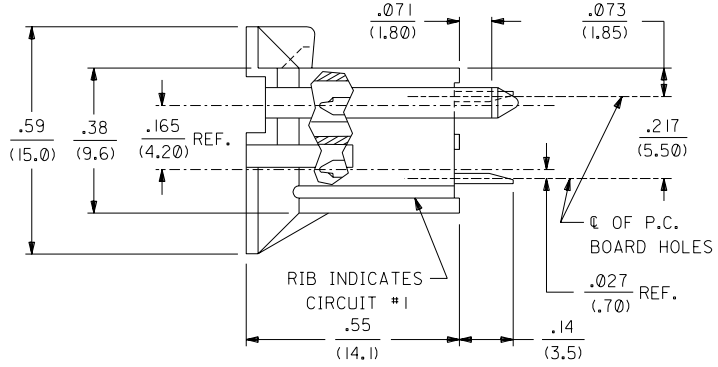
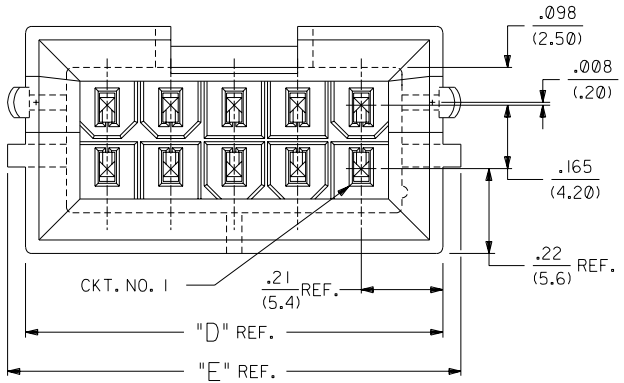
- 1) HOUSING MAT'L. & OPTIONS:
 - 1 = NYLON 6/6, U.L. 94V-2, COLOR: NATURAL, WITHOUT DRAIN HOLES.
 - 2 = NYLON 6/6, U.L. 94V-0, COLOR: NATURAL, WITHOUT DRAIN HOLES.
 - 3 = NYLON 6/6, U.L. 94V-2, COLOR: NATURAL, WITH DRAIN HOLES.
 - 4 = NYLON 6/6, U.L. 94V-0, COLOR: NATURAL, WITH DRAIN HOLES.
- 2) TERMINAL MAT'L.: BRASS, ALLOY 260.
- 3) 6-24 CKT. PARTS MATE WITH MINI-FIT JR. RECEPTACLES #5557 AND HEADERS #42385 AND #42474. 2 & 4 CKT. PARTS MATE WITH HEADERS ONLY.
- 4) PART ALLOWS FOR UP TO .100/(2.54) MISALIGNMENT WITH MATING RECEPTACLE IN ANY DIRECTION. SEE MATING CONNECTOR DRAWINGS FOR SPECIFIC ALLOWANCES.
- 5) PART IS DESIGNED IN METRIC.
- 6) TERMINAL PLATING:
 - 1 = .000100/(.00254) MIN. TIN OVER .000050/(.00127) MIN. NICKEL. (154)
 - 2 = .000030/(.00076) MIN. SELECT GOLD AND .000100/(.00127) MIN. SELECT TIN-LEAD OVER .000050/(.00127) MIN. NICKEL. (537)
 - 3 = .000050/(.00127) MIN. SELECT GOLD AND .000100/(.00127) MIN. SELECT TIN-LEAD OVER .000050/(.00127) MIN. NICKEL. (570)
- 7) PRODUCT SPECIFICATION: PS-5556-002
- 8) CONN. ASSY'S ARE NOT TO BE MATED OR UNMATED WHILE CIRCUITS ARE ALIVE.
- 9) OPTIONAL RIBS MAY BE FOUND ON PARTS MANUFACTURED AFTER 08/11/97.
- 10) PARTS MANUFACTURED AFTER 8/15/97 MAY HAVE REVISED LOCK PEG.

42440

	M	SEE SHEET #1
	L	SEE SHEET #1
	K2	SEE SHEET #1
	J3	SEE SHT. 1
	B	SEE SHT. 1
	A	SEE SHT. 1
LTR.	REVISIONS	LTR. REVISIONS

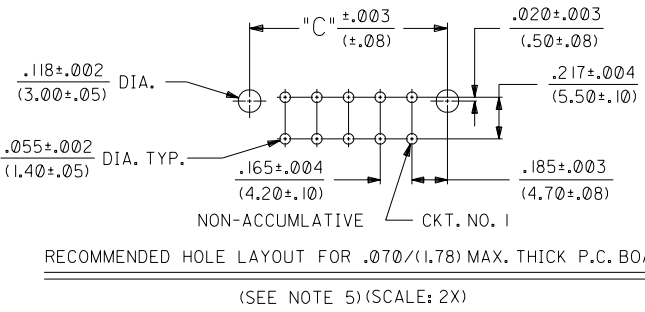
DIMENSIONS SHOWN (METRIC) INCH	
UNLESS OTHERWISE SPECIFIED TOLERANCES: ANGULAR ± .030	
3 PLACE ± --- ---	INCH METRIC
2 PLACE ± --- ± ---	
1 PLACE --- ± ---	
DRAFT WHERE APPLICABLE MUST REMAIN WITHIN DIMENSIONS	
DRWG. BY: GEP	CHK'D. BY: RJF
APP'D. BY: RAS	SCALE: --:--

▽ = 0	▼ = 0	REVISE ONLY ON CAD SYSTEM
TITLE: MINI-FIT JR. VERT. HEADER ASS'YS., WITH BLIND-MATE AND DRAIN HOLE OPTION		
FROM: MOLEX INCORPORATED, LISLE, ILL. 60532 U.S.A.	SHEET NO. 3	DATE 04/06/89
PART NO. SEE SHT. 4	DRWG. NO. SDA-42440-*****	
FILE NAME: 542440X2.DGN	THIS DRAWING CONTAINS INFORMATION THAT IS PROPRIETARY TO MOLEX INC. AND SHOULD NOT BE USED WITHOUT WRITTEN PERMISSION.	
DIV. CP	SIZE C	



DETAIL "F"
PEG DESIGN
PRIOR TO 8/11/97

LEGEND:
A - 42440 - * * * *
BASE NUMBER
CIRCUIT SIZE (02-24)
PLATING (SEE NOTE 6.)
HOUSING MAT'L. & OPTIONS (SEE NOTE 1.)



CIRCUIT SIZE	DIM. "A"	DIM. "B"	DIM. "C"	DIM. "D"	DIM. "E"
2	—	.21 (5.4)	.370 (9.40)	.425 (10.80)	.520 (13.20)
4	.17 (4.2)	.38 (9.6)	.535 (13.60)	.590 (15.00)	.685 (17.40)
6	.33 (8.4)	.54 (13.8)	.701 (17.80)	.756 (19.20)	.850 (21.60)
8	.50 (12.6)	.71 (18.0)	.866 (22.00)	.921 (23.40)	1.016 (25.80)
10	.66 (16.8)	.87 (22.2)	1.031 (26.20)	1.087 (27.60)	1.181 (30.00)
12	.83 (21.0)	1.04 (26.4)	1.197 (30.40)	1.252 (31.80)	1.346 (34.20)
14	.99 (25.2)	1.20 (30.6)	1.362 (34.60)	1.417 (36.00)	1.512 (38.40)
16	1.16 (29.4)	1.37 (34.8)	1.528 (38.80)	1.583 (40.20)	1.677 (42.60)
18	1.32 (33.6)	1.54 (39.0)	1.693 (43.00)	1.748 (44.40)	1.843 (46.80)
20	1.49 (37.8)	1.70 (43.2)	1.858 (47.20)	1.913 (48.60)	2.008 (51.00)
22	1.65 (42.0)	1.87 (47.4)	2.024 (51.40)	2.079 (52.80)	2.173 (55.20)
24	1.82 (46.2)	2.03 (51.6)	2.189 (55.60)	2.244 (57.00)	2.339 (59.40)

---22, ---42	42474---2I, 5556-PBGS*P	94V-0	PHOS. BRZ.	GOLD
---12, ---32	42474---1I, 5556-PBGS*P	94V-2		
---22, ---42, ---23, ---43	42474---2I, 5556-GS*P	94V-0	BRASS	GOLD
---12, ---32, ---13, ---33	42474---1I, 5556-GS*P	94V-2		
---2I, ---4I	42474---2I, 5556-PBS*P	94V-0	PHOS. BRZ.	TIN
---1I, ---3I	42474---1I, 5556-PBS*P	94V-2		
---2I, ---4I	42474---2I, 5556-S*P	94V-0	BRASS	TIN
---1I, ---3I	42474---1I, 5556-S*P	94V-2		
---22, ---42	A-42385---D2, ---D4	94V-0	PHOS. BRZ.	GOLD
---12, ---32	A-42385---C2, ---C4	94V-2		
---22, ---42, ---23, ---43	A-42385---B2, ---B4	94V-0	BRASS	GOLD
---12, ---32, ---13, ---33	A-42385---A2, ---A4	94V-2		
---2I, ---4I	A-42385---D1	94V-0	PHOS. BRZ.	TIN
---1I, ---3I	A-42385---C1	94V-2		
---2I, ---4I	A-42385---B1	94V-0	BRASS	TIN
---1I, ---3I	A-42385---A1	94V-2		

VERT. HEADER A-42440	MATING CONNECTOR	HSG. MAT'L.	TERM. MAT'L.	PLATING
MATING CONNECTOR FEATURES				

REV.	DESCRIPTION	DATE
9	K2	
8	K2	
7	K2	
6	K2	
5	K2	
4	K5	
3	M	
2	K2	
1	M1	

DIMENSIONS SHOWN (METRIC) INCH
 UNLESS OTHERWISE SPECIFIED TOLERANCES: ANGULAR ± .030 50
 3 PLACE ± .010 ---
 2 PLACE ± .015 ± 0.25
 1 PLACE --- ± 0.38
 DRAFT WHERE APPLICABLE MUST REMAIN WITHIN DIMENSIONS

TITLE: MINI-FIT B.M.I. VERTICAL HEADER ASS'Y. WITH DRAIN HOLE OPTION.
 MOLEX INCORPORATED
 SHEET NO. 4 OF 8
 DATE 04/06/89

DRWG. BY: GEP
 CHK'D. BY: RJF
 FILE NAME: S42440X1
 APP'D. BY: RAS
 SCALE: 4 : 1

SEE SHT. 4
 SDA-42440-***

NOTES:

- 1) HOUSING MAT'L. & OPTIONS:
 - 1 = NYLON 6/6, U.L. 94V-2, COLOR: NATURAL, WITHOUT DRAIN HOLES.
 - 2 = NYLON 6/6, U.L. 94V-0, COLOR: NATURAL, WITHOUT DRAIN HOLES.
 - 3 = NYLON 6/6, U.L. 94V-2, COLOR: NATURAL, WITH DRAIN HOLES.
 - 4 = NYLON 6/6, U.L. 94V-0, COLOR: NATURAL, WITH DRAIN HOLES.
- 2) TERMINAL MAT'L.: BRASS, ALLOY 260.
- 3) 6-24 CKT. PARTS MATE WITH MINI-FIT JR. RECEPTACLES #5557 AND HEADERS #42385 AND #42474. 2 & 4 CKT. PARTS MATE WITH HEADERS ONLY.
- 4) PART ALLOWS FOR UP TO .100/(2.54) MISALIGNMENT WITH MATING RECEPTACLE IN ANY DIRECTION. SEE MATING CONNECTOR DRAWINGS FOR SPECIFIC ALLOWANCES.
- 5) PART IS DESIGNED IN METRIC.
- 6) TERMINAL PLATING:
 - 1 = .000100/(.00254) MIN. TIN OVER .000050/(.00127) MIN. NICKEL. (154)
 - 2 = .000030/(.00076) MIN. SELECT GOLD AND .000100/(.00127) MIN. SELECT TIN-LEAD OVER .000050/(.00127) MIN. NICKEL. (537)
 - 3 = .000050/(.00127) MIN. SELECT GOLD AND .000100/(.00127) MIN. SELECT TIN-LEAD OVER .000050/(.00127) MIN. NICKEL. (570)
- 7) PRODUCT SPECIFICATION: PS-5556-002
- 8) CONN. ASSY'S ARE NOT TO BE MATED OR UNMATED WHILE CIRCUITS ARE ALIVE.
- 9) OPTIONAL RIBS MAY BE FOUND ON PARTS MANUFACTURED AFTER 08/11/97.
- 10) PARTS MANUFACTURED AFTER 8/15/97 MAY HAVE REVISED LOCK PEG.

42440

M	SEE SHEET #1		
L	SEE SHEET #1		
K2	SEE SHEET #1		
J3	SEE SHT. 1		
B	SEE SHT. 1		
A	SEE SHT. 1		
LTR.	REVISIONS	LTR.	REVISIONS

DIMENSIONS SHOWN (METRIC) INCH	
UNLESS OTHERWISE SPECIFIED TOLERANCES: ANGULAR ± .030	
3 PLACE ± --- ---	INCH METRIC
2 PLACE ± --- ± ---	
1 PLACE --- ± ---	
DRAFT WHERE APPLICABLE MUST REMAIN WITHIN DIMENSIONS	
DRWG. BY: GEP	CHK'D. BY: RJF
APP'D. BY: RAS	SCALE: --:--

▽ = 0	▼ = 0	REVISE ONLY ON CAD SYSTEM
TITLE: MINI-FIT JR. VERT. HEADER ASS'YS., WITH BLIND-MATE AND DRAIN HOLE OPTION		
FROM: MOLEX INCORPORATED, LISLE, ILL. 60532 U.S.A.	SHEET NO. 3	DATE 04/06/89
PART NO. SEE SHT. 4	DRWG. NO. SDA-42440-*****	
FILE NAME: 542440X2.DGN	THIS DRAWING CONTAINS INFORMATION THAT IS PROPRIETARY TO MOLEX INC. AND SHOULD NOT BE USED WITHOUT WRITTEN PERMISSION.	
DIV. CP	SIZE C	

