

FEATURES AND SPECIFICATIONS

Features and Benefits

- Sizes 4 to 25 circuits
- Used primarily for remote interconnections
- Locking crown secures positive latch to connector
- Polarization slots guide front ribs of mating connector to prevent pin damage
- Mounting ears for insertion into .030 to .090" thick panels
- Mates single or modular branch pin assemblies with modular branch connector assemblies in an interim clip

Reference Information

Packaging: Bag

UL File No.: E29179

CSA File No.: LR19980

Mates With: 70004 front side, and 70066D and 70475D pin assemblies back side

Designed In: Inches

Physical

Housing: Black glass-filled polyester, UL 94V-0

Operating Temperature: -40 to +105°C



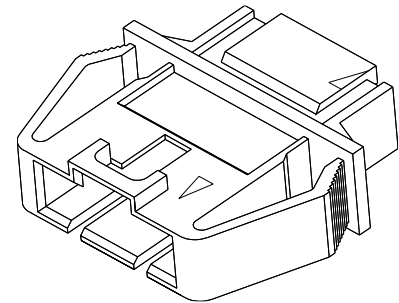
2.54mm (.100") Pitch

SL™

Wire-to-Wire
Panel Mount Connector

70104

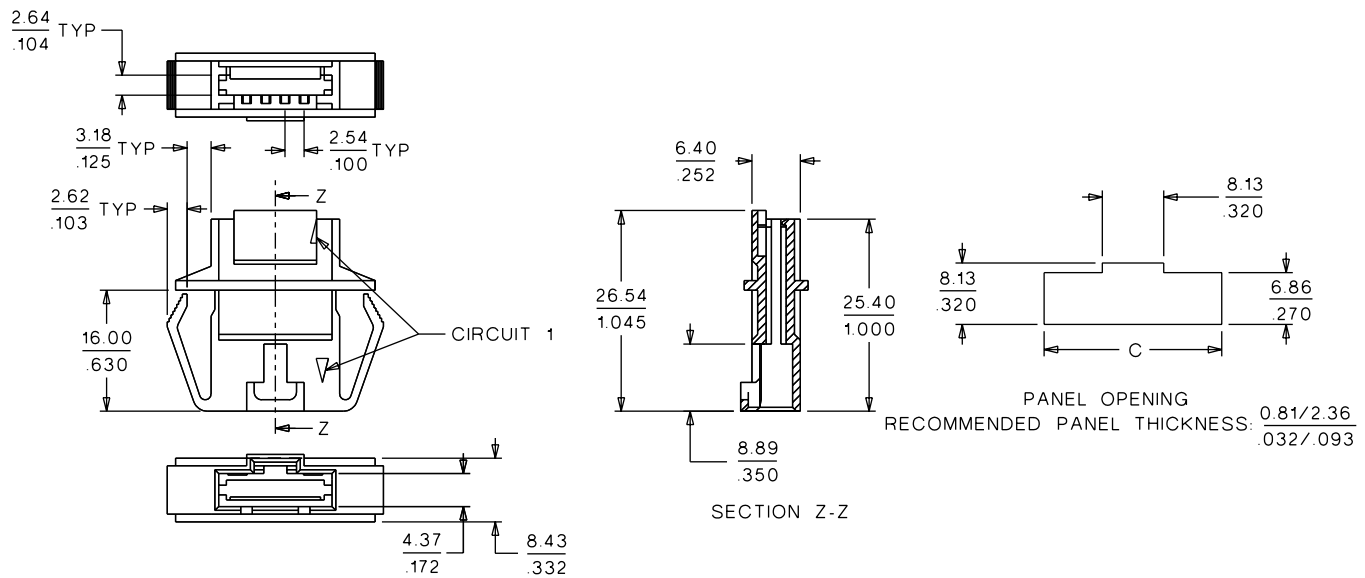
Single Row
Modular Branch



2.54mm (.100") Pitch

CATALOG DRAWING (FOR REFERENCE ONLY)

Not For Use With Molex C-Grid III™ Components



ORDERING INFORMATION AND DIMENSIONS

Circuits	Order No.	Dimension
		Panel Opening C
4	• 50-65-0104	20.95 (.825)
5	• 50-65-0105	23.49 (.925)
6	• 50-65-0106	26.03 (1.025)
7	• 50-65-0107	28.57 (1.125)
8	• 50-65-0108	31.11 (1.225)
9	• 50-65-0109	33.65 (1.325)
10	• 50-65-0110	36.19 (1.425)
11	• 50-65-0111	38.73 (1.575)
12	• 50-65-0112	41.27 (1.625)
13	• 50-65-0113	43.81 (1.725)
14	• 50-65-0114	46.35 (1.825)

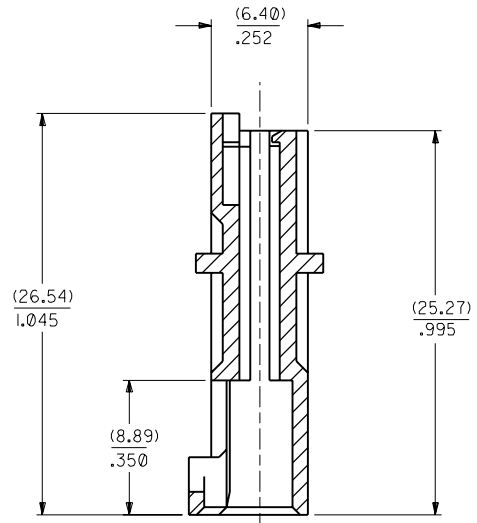
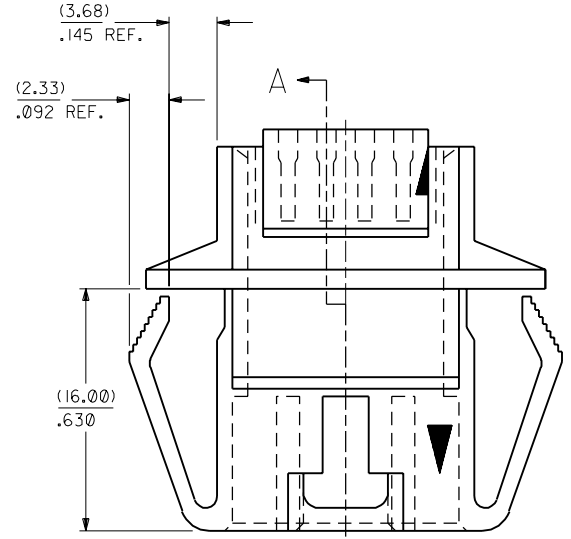
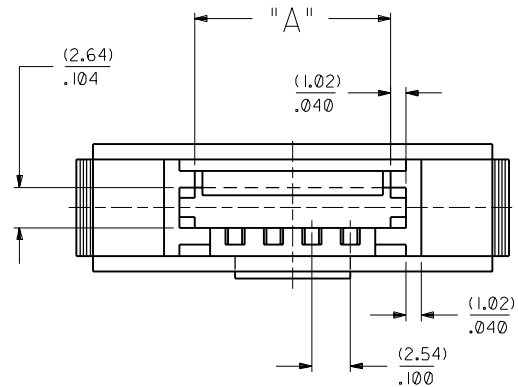
Circuits	Order No.	Dimension
		Panel Opening C
15	• 50-65-0115	48.89 (1.925)
16	• 50-65-0116	51.43 (2.025)
17	• 50-65-0117	53.97 (2.125)
18	• 50-65-0118	56.51 (2.225)
19	• 50-65-0119	59.05 (2.325)
20	• 50-65-0120	61.59 (2.425)
21	• 50-65-0121	64.13 (2.525)
22	• 50-65-0122	66.67 (2.625)
23	• 50-65-0123	69.21 (2.725)
24	• 50-65-0124	71.75 (2.825)
25	• 50-65-0125	74.79 (2.925)

• US Standard Product, available through Molex franchised distributors

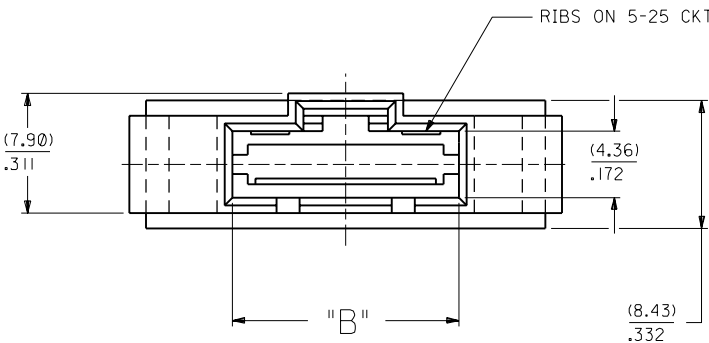
NOTES

- 1) MATERIAL : POLYESTER, 94V-0
COLOR : BLACK
- 2) SEE CHART FOR CIRCUIT SIZES .
- 3) HOUSING TO BE USED WITH 70400 SERIES HOUSING (OPTION "D" & INTERIM CLIP 70004 (VERSION A)
- 4) PANEL THICKNESS (0.81)/.032 - (2.36)/.093
- 5) SEE SHEET 2 FOR MOUNTING HOLE DIMENSIONS .
- 6) PACKAGE PER PK-70104-100.

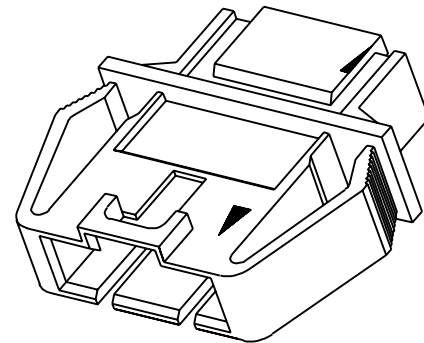
CKT. NO.	EDP. NO.	ENG. NO.	DIM. A	DIM. B
4	50-65-0104	70104-0003	(10.29) .405	(12.45) .490
5	50-65-0105	70104-0004	(12.83) .505	(14.99) .590
6	50-65-0106	70104-0005	(15.37) .605	(17.53) .690
7	50-65-0107	70104-0006	(17.91) .705	(20.07) .790
8	50-65-0108	70104-0007	(20.45) .805	(22.61) .890
9	50-65-0109	70104-0008	(22.99) .905	(25.15) .990
10	50-65-0110	70104-0009	(25.53) 1.005	(27.69) 1.090
11	50-65-0111	70104-0010	(28.07) 1.105	(30.23) 1.190
12	50-65-0112	70104-0011	(30.61) 1.205	(32.77) 1.290
13	50-65-0113	70104-0012	(33.15) 1.305	(35.31) 1.390
14	50-65-0114	70104-0013	(35.69) 1.405	(37.89) 1.490
15	50-65-0115	70104-0014	(38.23) 1.505	(40.39) 1.590
16	50-65-0116	70104-0015	(40.77) 1.605	(42.93) 1.690
17	50-65-0117	70104-0016	(43.31) 1.705	(45.47) 1.790
18	50-65-0118	70104-0017	(45.85) 1.805	(48.01) 1.890
19	50-65-0119	70104-0018	(48.39) 1.905	(50.55) 1.990
20	50-65-0120	70104-0019	(50.93) 2.005	(53.09) 2.090
21	50-65-0121	70104-0020	(53.47) 2.105	(55.63) 2.190
22	50-65-0122	70104-0021	(56.01) 2.205	(58.17) 2.290
23	50-65-0123	70104-0022	(58.55) 2.305	(60.71) 2.390
24	50-65-0124	70104-0023	(61.09) 2.405	(63.25) 2.490
25	50-65-0125	70104-0024	(63.63) 2.505	(65.79) 2.590



SECTION A-A



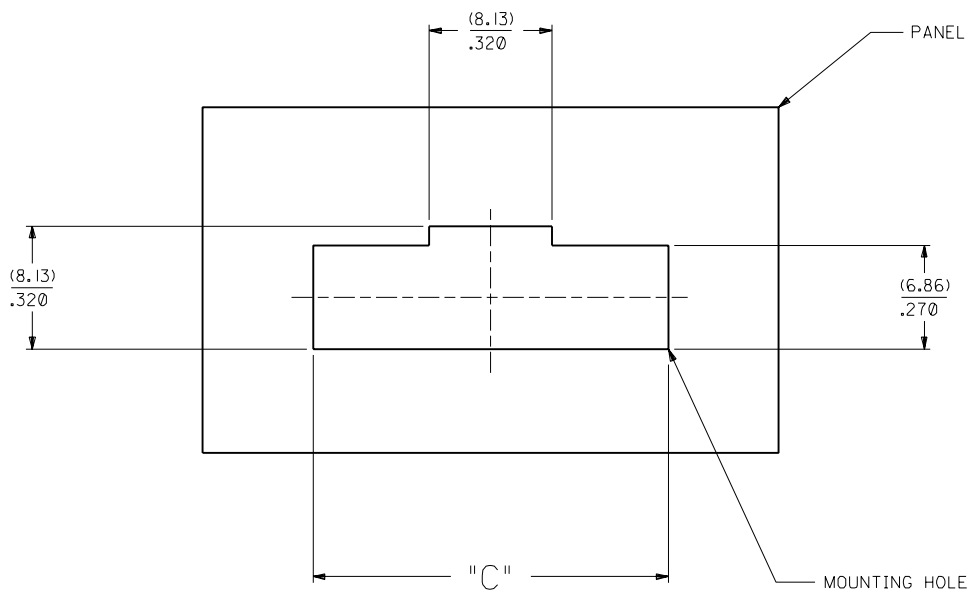
RIBS ON 5-25 CKT. ONLY



H REVISE PER ECR #L00070 4/27/88 MJM		DIMENSIONS SHOWN (METRIC) INCH UNLESS OTHERWISE SPECIFIED TOLERANCES: ANGULAR ± 1/2°		▽ = 0 ▼ = 0 REVISE ONLY ON CAD SYSTEM	
G REVISED RIBS AND DIM "A" PER E.C.R #9776 06/11/87 MJM		INCH METRIC 3 PLACE ± .010 --- 2 PLACE ± .014 ± 0.25 1 PLACE --- ± 0.35		TITLE HOUSING PANEL MOUNT (INTERIM CLIP TO OPT. "D" HSG.)	
I ADD PKG NOTE PER UDT2000-0468 SCHAFER 99/12/1		F REDRAWN ON CAD PER ECR # 9120 5/5/86 WZ		DRAFT WHERE APPLICABLE MUST REMAIN WITHIN DIMENSIONS	
LTR. REVISIONS		LTR. REVISIONS		MOLEX INCORPORATED SHEET NO. DATE LISLE, ILL. 60532 U.S.A. 1 OF 2 4/25/86	
		DRWG. NO. SD-70104-0003-0024		PART NO. DIV. SEE CHART DA	
		FILE NAME S70104X1 D04		THIS DRAWING CONTAINS INFORMATION THAT IS PROPRIETARY TO MOLEX INC. AND SHOULD NOT BE USED WITHOUT WRITTEN PERMISSION.	

I3 I2 I1 I0 9 8 7 6 70104 4 3 2 1

J I H G F E D C B A



RECOMMENDED MOUNTING HOLE LAYOUT

CKT. NO.	EDP. NO.	ENG. NO.	DIM. C
4	50-65-0104	70104-0003	(20.95) .825
5	50-65-0105	70104-0004	(23.49) .925
6	50-65-0106	70104-0005	(26.03) 1.025
7	50-65-0107	70104-0006	(28.57) 1.125
8	50-65-0108	70104-0007	(31.11) 1.225
9	50-65-0109	70104-0008	(33.65) 1.325
10	50-65-0110	70104-0009	(36.19) 1.425
11	50-65-0111	70104-0010	(38.73) 1.525
12	50-65-0112	70104-0011	(41.27) 1.625
13	50-65-0113	70104-0012	(43.81) 1.725
14	50-65-0114	70104-0013	(46.35) 1.825
15	50-65-0115	70104-0014	(48.89) 1.925
16	50-65-0116	70104-0015	(51.43) 2.025
17	50-65-0117	70104-0016	(53.97) 2.125
18	50-65-0118	70104-0017	(56.51) 2.225
19	50-65-0119	70104-0018	(59.05) 2.325
20	50-65-0120	70104-0019	(61.59) 2.425
21	50-65-0121	70104-0020	(64.13) 2.525
22	50-65-0122	70104-0021	(66.67) 2.625
23	50-65-0123	70104-0022	(69.21) 2.725
24	50-65-0124	70104-0023	(71.75) 2.825
25	50-65-0125	70104-0024	(74.29) 2.925

70104

MFG. SH. REV.

REVISE ONLY ON CAD SYSTEM

TITLE: HOUSING PANEL MOUNT (INTERIM CLIP TO OPT. "G" HSG.)
 MOLEX INCORPORATED
 SHEET NO. 2 DATE 4/11/86
 U.S.A.
 PART NO. SD-70104-0003-0024
 DRWG. NO. 60532
 FILE NAME: S70104X2
 THIS DRAWING CONTAINS INFORMATION THAT IS PROPRIETARY TO MOLEX INC. AND SHOULD NOT BE USED WITHOUT WRITTEN PERMISSION.
 DIV. C

DRWG. BY: ME	CHK'D. BY: WZ
APP'D. BY: RL	SCALE: 4 : 1

LTR.	REVISIONS	LTR.	REVISIONS
		F	SEE SHEET 1

I3 I2 I1 I0 9 8 7 6 5 4 3 2 1