

FEATURES AND SPECIFICATIONS

Features and Benefits

- Dual opposing beam contact
- Performance levels 1 and 2
- Board lock option
- Flux proof option
- Solder tails for 1.6mm (.062") and 3.2mm (.125") PCBs

Reference Information

Product Specification: PS-85042-0001

Packaging: Box

UL File No.: E29179

CSA File No.: LR19980-390

Mates With:

85001—Right angle male style B/2

85011—Straight male style Q/2

Electrical

Current: 1.5A

Contact Resistance: 20mΩ max.

Mechanical

Mating Force: 0.93N max.

Physical

Housing: Glass-filled polyester, UL 94V-0

Contact: Copper Alloy

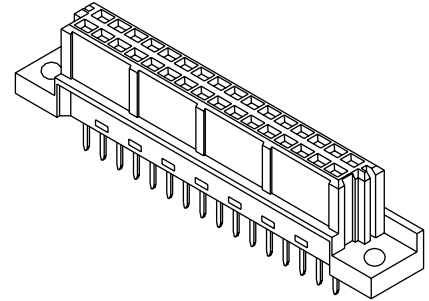
Operating Temperature: -55 to +125°C



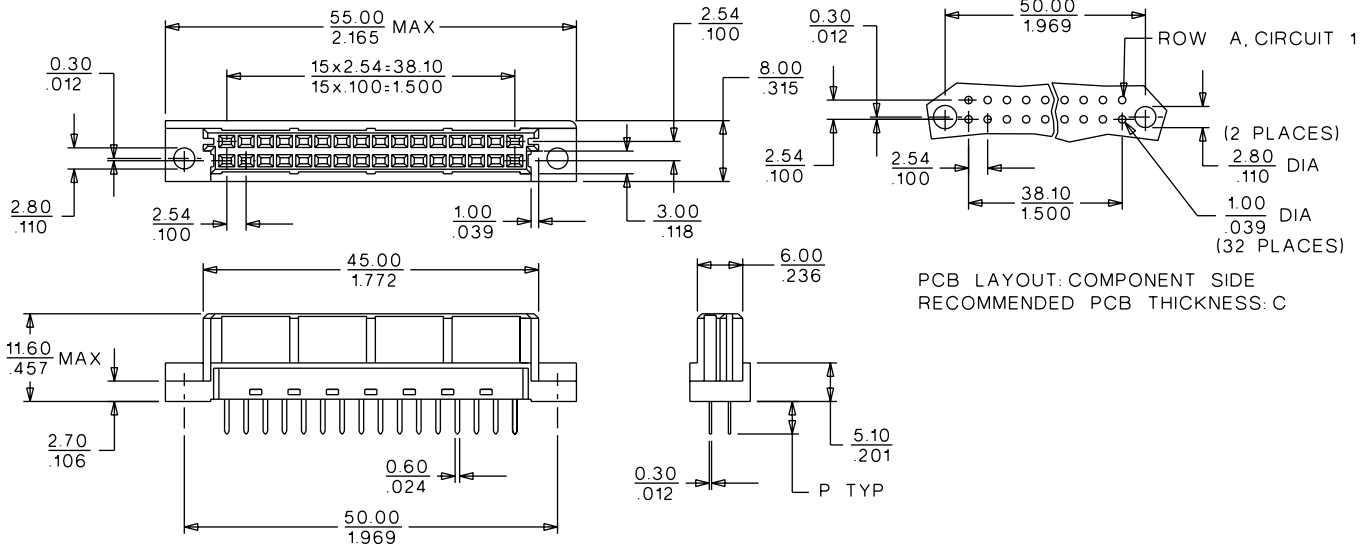
2.54mm (.100") Pitch DIN 41612/IEC 603-2 Connector

85040

Female Style B/2



CATALOG DRAWING (FOR REFERENCE ONLY)



ORDERING INFORMATION AND DIMENSIONS

Circuits	Order No.		Contact Loading	Rows	Solder Tail Dimension P	Option(s)
	Performance Levels*					
	1	2				
16		85040-1005	Even only	a, b	4.5 (.177)	
32		85040-0191	Full	a, b	2.9 (.114)	Board locks
		85040-0012				
		85040-0713				85040-0000

For other versions contact Molex

* Performance levels based on test conditions per DIN 41612, part 5:

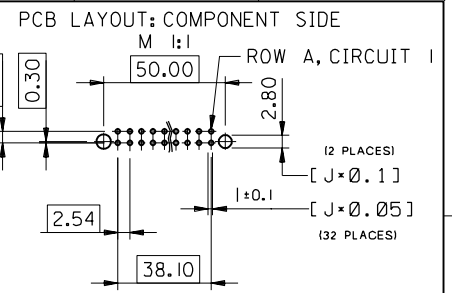
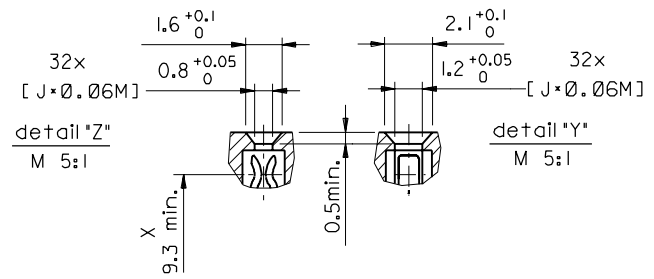
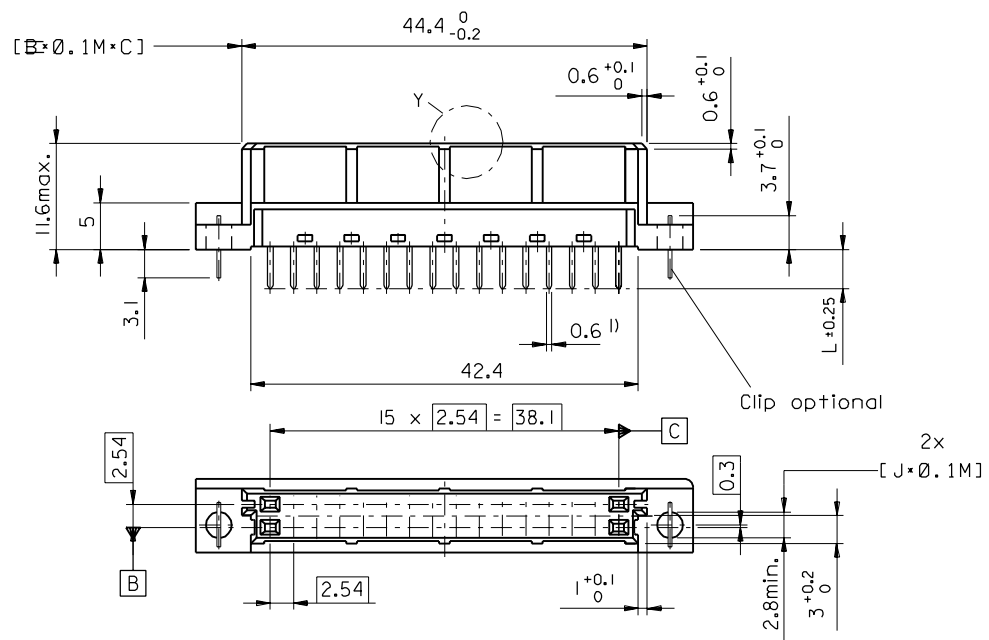
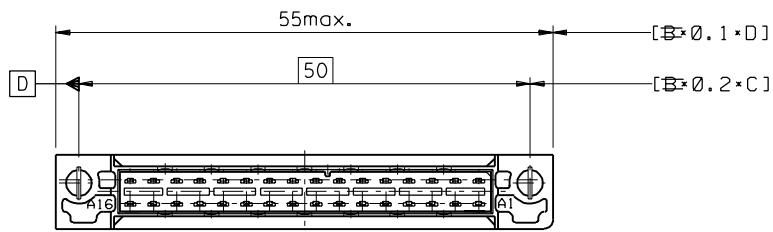
1: >500 mating cycles. 10 day industrial environment (S02)

2: >400 mating cycles. 4 day industrial environment (S02)

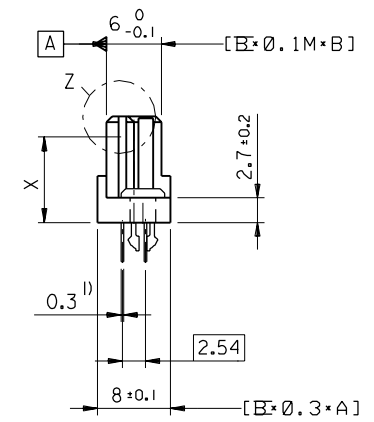
Backplane Connector Systems



PART NO.
DWG. NO.



1) tails to fit in PC-board layout



FIRST ANGLE PROJECTION

UNLESS OTHERWISE SPECIFIED TOLERANCES: ANGULAR ± 2°	DRWG BY	SIGN
INCH	KN	
METRIC	CHK'D BY	SIGN
	Ca	
DRAFT WHERE APPLICABLE MUST REMAIN WITHIN DIMENSIONS	APP'D BY	SIGN
DESIGN DIMENSION	FB	
<input checked="" type="checkbox"/> MM	SCALE	
<input type="checkbox"/> IN.	2:1	
EQUIVALENT DIMENSION		
<input type="checkbox"/> MM		
<input type="checkbox"/> IN.		

REVISE ONLY ON CAD SYSTEM

CAECAM PROJECT NAME 85040000 s21	THIS DRAWING CONTAINS INFORMATION THAT IS PROPRIETARY TO MOLEX INC. & SHOULD NOT BE USED WITHOUT WRITTEN PERMISSION	SH.	REV.
TITLE 32pos. Female connector DIN 41612 style B/2, with clip, Dimensions		SHEET NO. DATE 1 OF 1 96/04/23	
MOLEX MOLEX EUROPE		PART NO. DWG NO. SIZE SDA-85040-0002 B	

ECN MG1998-2727 new fixing clip 98-04-14 Co	REVISIONS
C	LTR

