

FEATURES AND SPECIFICATIONS

Features and Benefits

- Sizes 2 to 17 circuits
- For topcoated ribbon cable
- Wire range: 26 AWG
- Insulation diameter: 1.60mm (.063") max.
- Strip length: 4.50mm (.177")

Reference Information

Packaging: Bag
Designed In: Millimeters

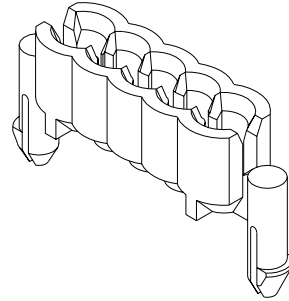
Physical

Housing: 6/6 nylon, UL 94V-0 and UL 94V-2
Operating Temperature: -40 to +105°C

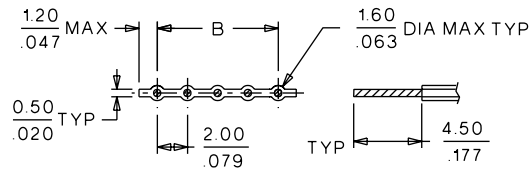
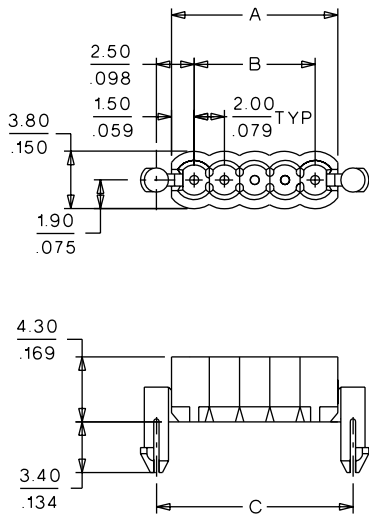
molex® 2.00mm (.079") Pitch Cable Holder

51048

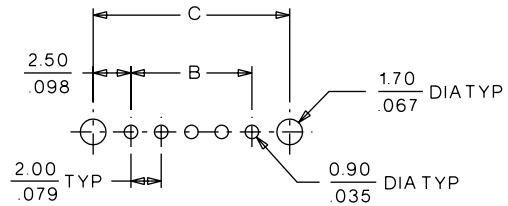
Vertical, Low Profile For Ribbon Cable



CATALOG DRAWING (FOR REFERENCE ONLY)



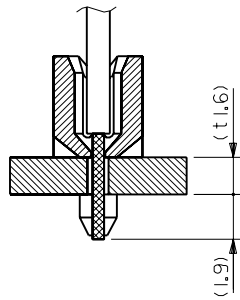
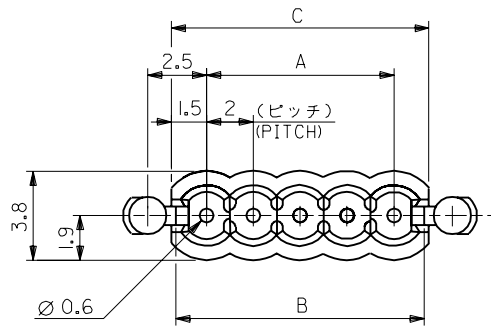
APPLICABLE WIRE RECOMMENDED DIMENSION



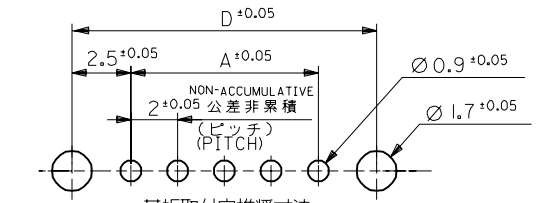
PCB LAYOUT: COMPONENT SIDE
RECOMMENDED PCB THICKNESS: 1.60/.063

ORDERING INFORMATION AND DIMENSIONS

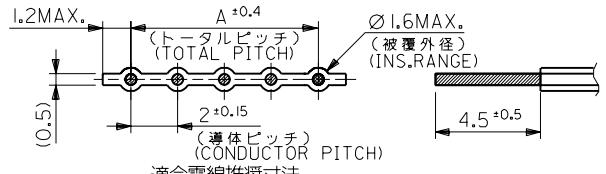
Circuits	Order No.		Dimension		
	UL 94V-0	UL 94V-2	A	B	C
2	51048-0210	51048-0200	5.00 (.197)	2.00 (.079)	7.00 (.276)
3	51048-0310	51048-0300	7.00 (.276)	4.00 (.157)	9.00 (.354)
4	51048-0410	51048-0400	9.00 (.354)	6.00 (.236)	11.00 (.433)
5	51048-0510	51048-0500	11.00 (.433)	8.00 (.314)	13.00 (.512)
6	51048-0610	51048-0600	13.00 (.512)	10.00 (.393)	15.00 (.591)
7	51048-0710	51048-0700	15.00 (.591)	12.00 (.472)	17.00 (.670)
8	51048-0810	51048-0800	17.00 (.670)	14.00 (.551)	19.00 (.748)
9	51048-0910	51048-0900	19.00 (.748)	16.00 (.629)	21.00 (.827)
10	51048-1010	51048-1000	21.00 (.827)	18.00 (.708)	23.00 (.906)
11	51048-1110	51048-1100	23.00 (.906)	20.00 (.787)	25.00 (.984)
12	51048-1210	51048-1200	25.00 (.984)	22.00 (.866)	27.00 (1.063)
13	51048-1310	51048-1300	27.00 (1.063)	24.00 (.944)	29.00 (1.141)
14	51048-1410	51048-1400	29.00 (1.142)	26.00 (1.023)	31.00 (1.220)
15	51048-1510	51048-1500	31.00 (1.220)	28.00 (1.102)	33.00 (1.299)
16	51048-1610	51048-1600	33.00 (1.299)	30.00 (1.181)	35.00 (1.378)
17		51048-1700	35.00 (1.378)	32.00 (1.260)	37.00 (1.457)



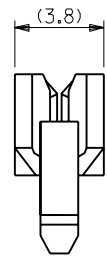
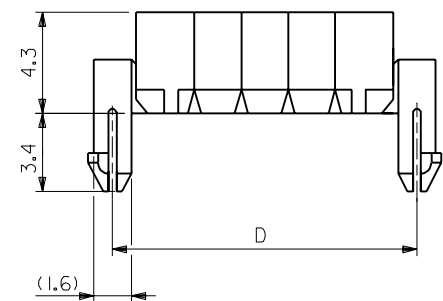
電線挿入図
SECT.(CABLE ASS'Y)



基板取付穴推奨寸法
RECOMMENDED P.C.BOARD HOLE DIM.
(t=1.6±0.05)



適合電線推奨寸法
RECOMMENDED WIRE DIM.



注記
NOTES

- 材料：ナイロン66、UL94V-2
MATERIAL : NYLON66 , UL94V-2
- 適合電線：2mmピッチリボンケーブル
AWG#26錫コート平行線
APPLICABLE WIRE : 2mm PITCH
RIBBON CABLE WIRE
AWG#26, TOP COATED WIRE

37	35	34.6	32	51048-1700	17
35	33	32.6	30	↑ -1600	16
33	31	30.6	28	-1500	15
31	29	28.6	26	-1400	14
29	27	26.6	24	-1300	13
27	25	24.6	22	-1200	12
25	23	22.6	20	-1100	11
23	21	20.6	18	-1000	10
21	19	18.6	16	-0900	9
19	17	16.6	14	-0800	8
17	15	14.6	12	-0700	7
15	13	12.6	10	-0600	6
13	11	10.6	8	-0500	5
11	9	8.6	6	-0400	4
9	7	6.6	4	↓ -0300	3
7	5	4.6	2	51048-0200	2
D	C	B	A	ENG. NO.	種数 CK'TS.

角度 ANGLE	±3°				
30以上 OVER	+0.3	A	変更 REVISED (J20153)	K.T	H.H
10以上 30未満 OVER UNDER	+0.25	O	発行/発行停止 RELEASED (J80189)	Y.J	H.H
10未満 UNDER	+0.2		記号 LTR	変更内容 REVISION RECORD	DR. 日付 CHK. DATE
一般公差 GENERAL TOLERANCES					

材料 MATERIAL	注記参照 SEE NOTE 1.
仕上げ FINISH	//
適用電線範囲 WIRE RANGE	注記参照 SEE NOTE 2.
被覆外径 INS. RANGE	φ1.6 MAX.
DRAWN BY T.ITOH	CHK'D BY '92/02/27 M.FUKUSHIMA
APP'D BY '92/02/27 M.ENOMOTO	尺度 SCALE 5 - 1

MOLEX MOLEX-JAPAN CO.,LTD. 日本モレックス株式会社	
EDP. NO.	
ENG. NO. SD-51048-••00	REV A
TITLE 名称 2.0 mm PITCH CABLE HOLDER (FOR 4.5 mm STRIP LENGTH)	