

FEATURES AND SPECIFICATIONS

Features and Benefits

- Sizes 8 to 30 circuits
- For 0.30mm thick FFC/FPC
- Kinked outer solder tails for additional PCB retention

Reference Information

Packaging: Tray
Designed In: Millimeters

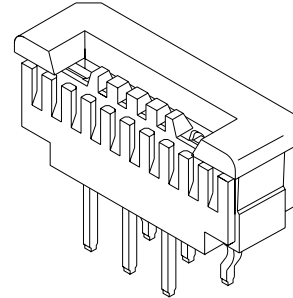
Electrical

Voltage: 50V
Current: 0.5A
Contact Resistance: 20mΩ max.
Dielectric Withstanding Voltage: 500V AC/1 min.
Insulation Resistance: 100 MΩ min.

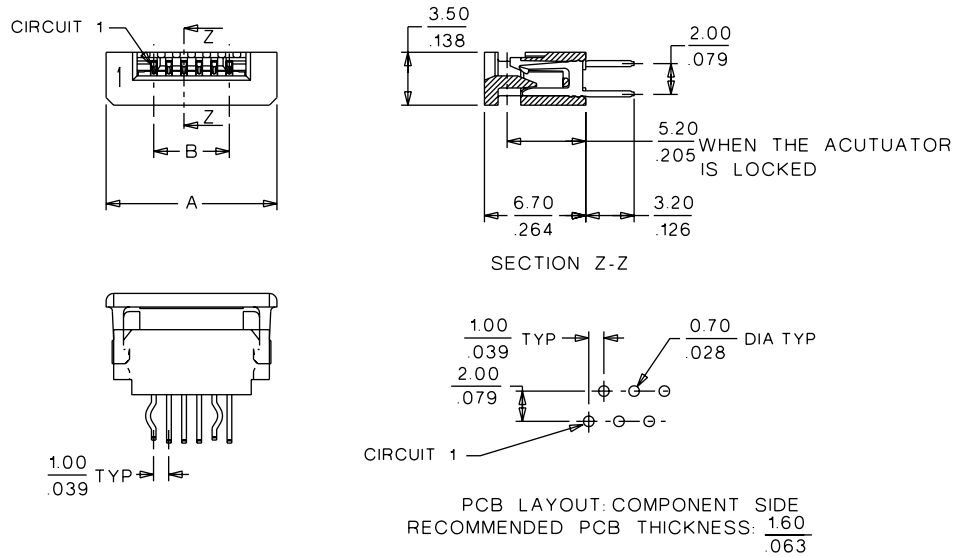
Physical

Housing: 6/6 nylon, UL 94V-0
Actuator: PBTP, UL 94V-0
Contact: Phosphor Bronze
Plating: Tin
Operating Temperature: -20 to +80°C

molex® 1.00mm (.039") Pitch
FFC/FPC Connector

52030**Vertical, ZIF**

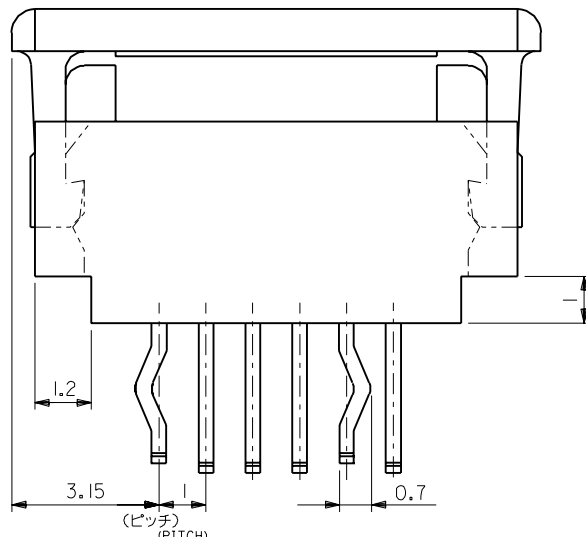
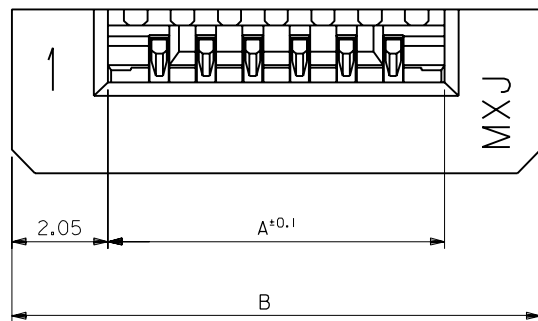
CATALOG DRAWING (FOR REFERENCE ONLY)



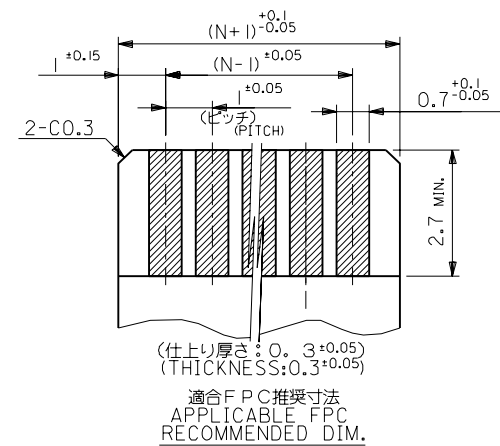
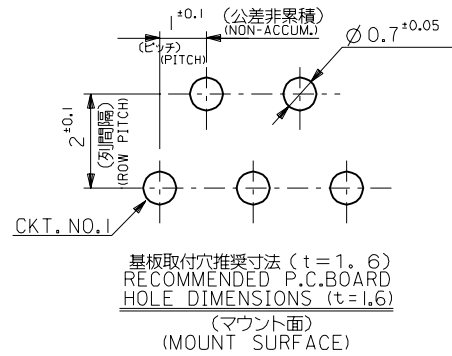
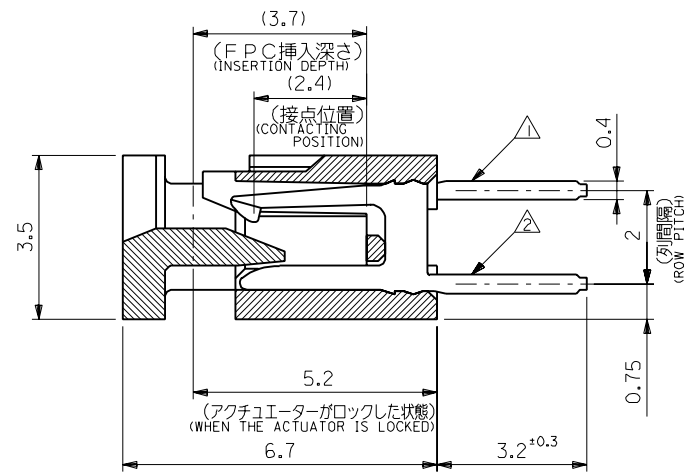
ORDERING INFORMATION AND DIMENSIONS

Circuits	Order No.	Dimension	
		A	B
8	52030-0810	13.30 (.524)	7.00 (.275)
10	52030-1010	15.30 (.602)	9.00 (.354)
12	52030-1210	17.30 (.681)	11.00 (.433)
14	52030-1410	19.30 (.760)	13.00 (.511)
16	52030-1610	21.30 (.839)	15.00 (.590)
18	52030-1810	23.30 (.917)	17.00 (.669)
20	52030-2010	25.30 (.996)	19.00 (.748)
22	52030-2210	27.30 (1.074)	21.00 (.826)
24	52030-2410	29.30 (1.154)	23.00 (.905)
26	52030-2610	31.30 (1.232)	25.00 (.984)
28	52030-2810	33.30 (1.311)	27.00 (1.062)
30	52030-3010	35.30 (1.390)	29.00 (1.141)

Note: For cable specification dimensions, see cable pages at end of section



注記:
 NOTES: CKT. NO. 1を基準に偶数番目のソルダーテール。
 EVEN NUMBER SOLDER TAIL.
 CKT. NO. 1を基準に奇数番目のソルダーテール。
 ODD NUMBER SOLDER TAIL.
 3. 材料:
 MATERIAL:
 ターミナル: リン青銅, 錫メッキ(厚=0.32)
 TERMINAL: PHOS-BRO. TIN-PLATED(t=0.32)
 ハウジング: 66ナイロン, UL94V-0
 HOUSING: 66NYLON, UL94V-0
 アクチュエーター: ポリエステル, UL94V-0
 ACTUATOR: POLYESTER, UL94V-0



35.3	31.2	52030-3010	30
33.3	29.2	-2810	28
31.3	27.2	-2610	26
29.3	25.2	-2410	24
27.3	23.2	-2210	22
25.3	21.2	-2010	20
23.3	19.2	-1810	18
21.3	17.2	-1610	16
19.3	15.2	-1410	14
17.3	13.2	-1210	12
15.3	11.2	-1010	10
13.3	9.2	-0810	8
11.3	7.2	-0610	6
9.3	5.2	52030-0410	4
B	A	ENG. NO.	種数 CKT.

材料 MATERIAL	注記参照 SEE NOTES
仕上げ FINISH	— / —
適用電線範囲 WIRE RANGE	— / —
被覆外径 INS. RANGE	— / —
DRAWN BY '95/08/21	CHK'D BY '95/08/21
S.MATSUZAKI	H.HIRAMOTO
APP'D BY '95/08/21	DATE
M.FUKUSHIMA	SCALE 10:1

角度 ANGLE	+3°
30以上 OVER	+0.3
10以上 30未満 OVER UNDER	+0.25
10未満 UNDER	+0.2
一般公差 GENERAL TOLERANCES	
記号 LTR	変更内容 REVISION RECORD
DR.	DATE
CHK.	
F 再作図 REDRAWN	(JC60108)
M	'95/08/21

MOLEX-JAPAN CO.,LTD. 日本モレックス株式会社	
REVISE ONLY ON CAD SYSTEM TITLE 名称 1.0 FPC CONN. Z.I.F. (ST.)	
DWG. NO.	REV
SD-52030-***10	F