

FEATURES AND SPECIFICATIONS

Features and Benefits

- Wire-to-wire plug for panel-mounted or free-hanging applications
- Positive housing locks to mate with Mini-Fit, Jr. receptacle
- Fully isolated terminals to protect contacts from damage
- Uses standard Mini-Fit series terminals

Reference Information

Product Specification: PS-5556-0001

Packaging: Tray or bag

UL File No.: E29179

CSA File No.: LR19980

TUV License No.: R75142

Mates With: [5557](#) dual row receptacle

Use With: [5558](#), [30490](#) or 44478 terminals

Designed In: Millimeters

Mechanical

Contact Insertion Force: 1.5kg max.

Contact Retention to Housing: 3.0kg min.

Wire Pull-Out Force: 9.0kg min.

Insertion Force to PCB: 5.0kg max.

Mating Force: 0.7kg (1.54 lb) max.

Unmating Force: 0.35kg (0.7 lb) min.

Normal Force: 200g min.

Durability: 30 cycles

Physical

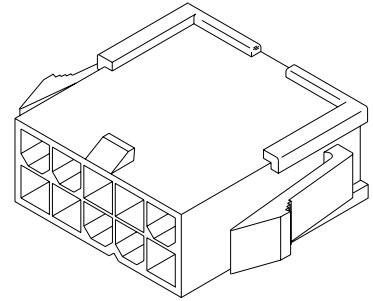
Housing: 6/6 nylon, UL 94V-2 or 94V-0

Operating Temperature: -40 to +105°C

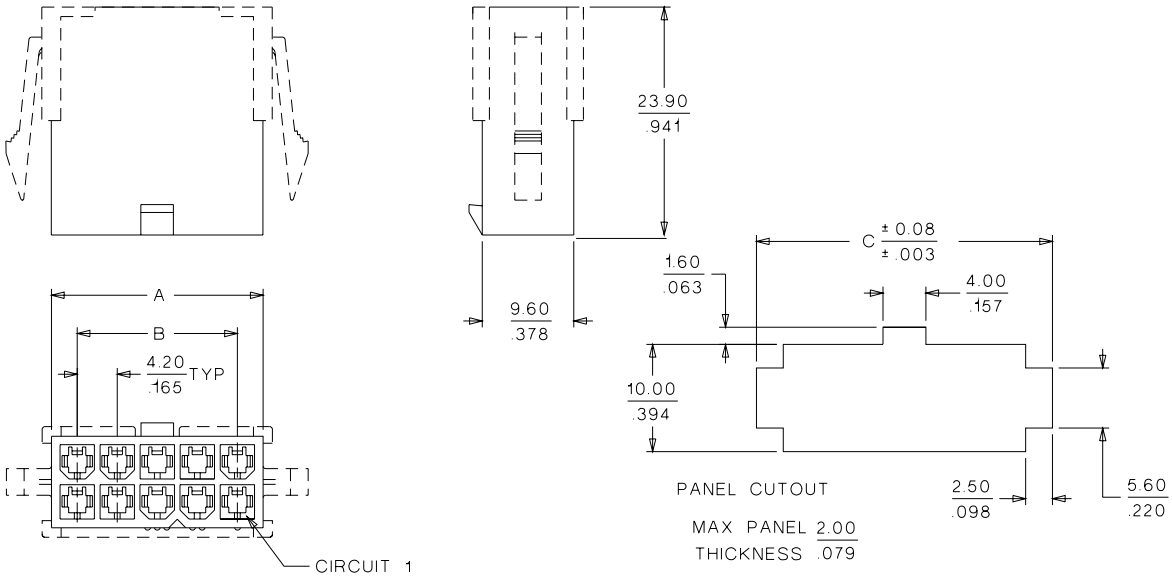
molex® 4.20mm (.165") Pitch Mini-Fit, Jr.™ Plug

5559

Dual Row With and without Panel Mount Ears



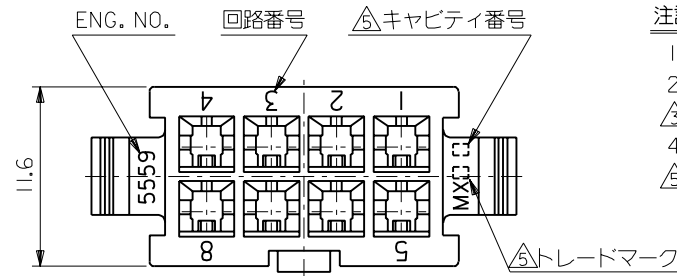
CATALOG DRAWING (FOR REFERENCE ONLY)



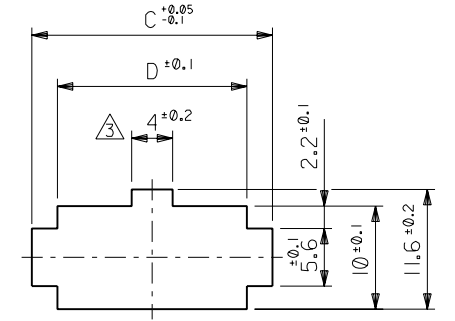
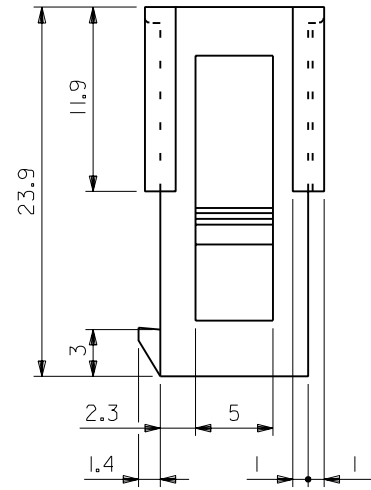
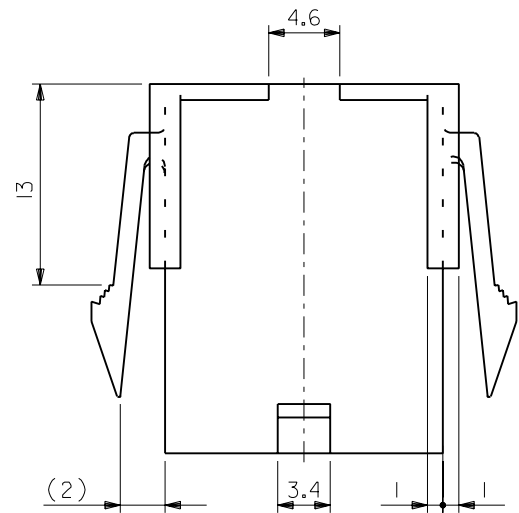
ORDERING INFORMATION AND DIMENSIONS

Circuits	Order No.				Dimension		
	Panel Mount		Free Hanging		A	B	C
	94V-2	94V-0	94V-2	94V-0			
2	• 39-01-2021	• 39-01-2026	• 39-01-3023	• 39-01-3029	5.40 (.213)		10.80 (.425)
4	• 39-01-2041	• 39-01-2046	• 39-01-3043	• 39-01-3049	9.60 (.378)	4.20 (.165)	15.00 (.591)
6	• 39-01-2061	• 39-01-2066	• 39-01-3063	• 39-01-3069	13.80 (.543)	8.40 (.331)	19.20 (.756)
8	• 39-01-2081	• 39-01-2086	• 39-01-3083	• 39-01-3089	18.00 (.709)	12.60 (.496)	23.40 (.921)
10	• 39-01-2101	• 39-01-2106	• 39-01-3103	• 39-01-3109	22.20 (.874)	16.80 (.661)	27.60 (1.087)
12	• 39-01-2121	• 39-01-2126			26.40 (1.039)	21.00 (.827)	31.80 (1.252)
14	• 39-01-2141	• 39-01-2146	• 39-01-3143	• 39-01-3149	30.60 (1.205)	25.20 (.992)	36.00 (1.417)
16	• 39-01-2161	• 39-01-2166	• 39-01-3163	• 39-01-3169	34.80 (1.370)	29.40 (1.158)	40.20 (1.583)
18	• 39-01-2181				39.00 (1.535)	33.60 (1.323)	44.40 (1.748)
20	• 39-01-2201				43.20 (1.701)	37.80 (1.488)	48.60 (1.913)
22	• 39-01-2221				47.40 (1.866)	42.00 (1.654)	52.80 (2.079)
24	• 39-01-2241				51.60 (2.031)	46.20 (1.819)	57.00 (2.244)

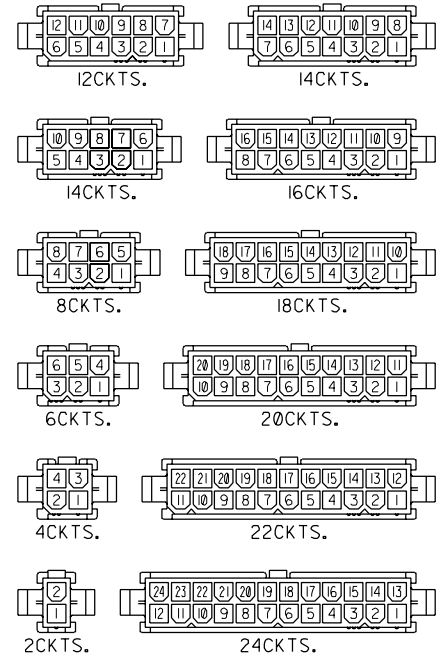
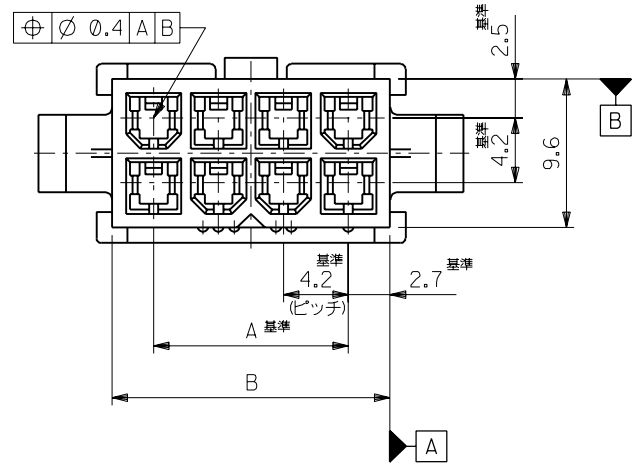
• US Standard Product, available through Molex franchised distributors



- 注記**
- 適用ターミナル：5558シリーズ
 - 嵌合相手：5557-NR
 - △ 2極に限り4mm 寸法はD寸法にて可とする。
 - パネルスロットの打抜き方向はハウジングの挿入方向と同一のこと。
 - △ トレードマーク：MX プラス1文字のアルファベットにて構成
キャビティ番号：1桁～2桁の数字にて構成



パネルスロット寸法 (パネル厚 0.8 - 2.0)



極数別レイアウト図 (SCALE: 1-1)

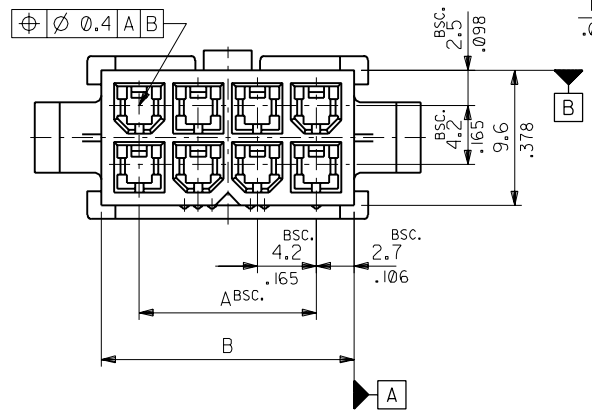
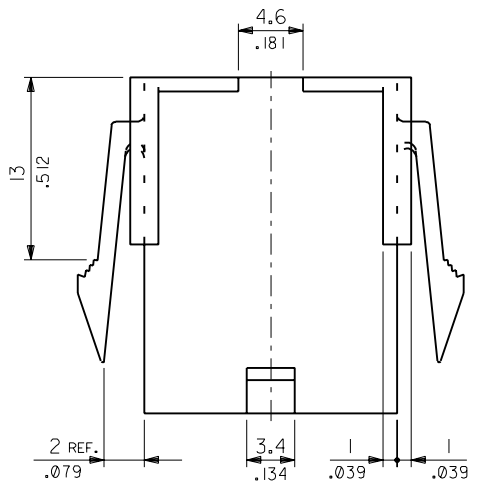
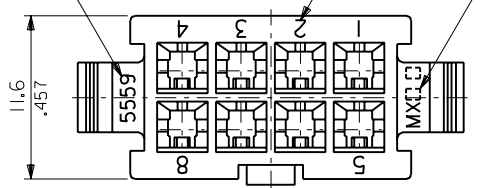
52.1	57.0	51.6	46.2	39-01-2241	5559-24P	24
47.9	52.8	47.4	42.0	▲ -2221	▲ -22P	22
43.7	48.6	43.2	37.8	-2201	-20P	20
39.5	44.4	39.0	33.6	-2181	-18P	18
35.3	40.2	34.8	29.4	-2161	-16P	16
31.1	36	30.6	25.2	-2141	-14P	14
26.8	31.8	26.4	21	-2121	-12P	12
22.6	27.6	22.2	16.8	-2101	-10P	10
18.4	23.4	18	12.6	-2081	-08P	8
14.2	19.2	13.8	8.4	-2061	-06P	6
10	15	9.6	4.2	▼ -2041	▼ -04P	4
5.8	10.8	5.4	—	39-01-2021	5559-02P	2
D	C	B	A	EDP NO.	ENG. NO.	極数

		材料 MATERIAL		ナイロン66, UL94V-2		molex MOLEX-JAPAN CO.,LTD. 日本モレックス株式会社	
		仕上げ FINISH		—		REVISE ONLY ON CAD SYSTEM	
		適用電線範囲 WIRE RANGE		—		TITLE 名称	
		被覆外径 INS. RANGE		—		NEW MINI.FIT CONNECTOR CRIMP PIN HOUSING	
角度 ANGLE		±3°		DRAWN BY 88/10/17 CHK'D BY 01/08/20		DWG. NO.	
30 以上 OVER		±0.4 ±0.3		H.H.HIRAMOTO K.ASAKAWA		SD-5559-NP	
10 以上 OVER 30 未満 UNDER		±0.3 ±0.25	H REVISD(J2002-0357)	H.M.K.A 01/08/20		REV	
10 未満 UNDER		±0.2	G 再作図 (J80832)	H.H.H 88/10/17		H	
一般公差 GENERAL TOLERANCES		LTR	変更内容 REVISION RECORD	DR. CHK. 日付 DATE		尺度 SCALE 3 - 1	

EDP NO. 39-01-2**1
 ENG. NO. SD-5559-NP
 :MM DIMENSIONS IN METRIC DO NOT SCALE DRAWING

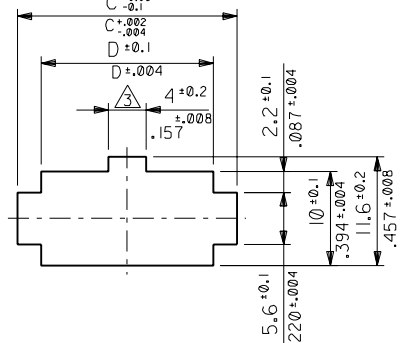
8 7 6 5 4 3 2 1

ENG. NO. CIRCUIT NO. TRADE MARK

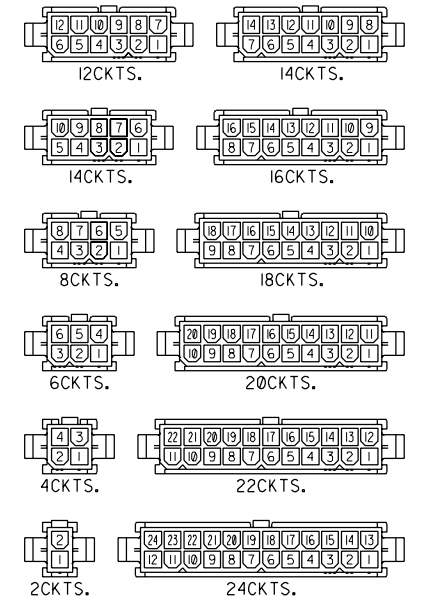


NOTES

1. TERMINAL : 5558 SERIES
2. MATES WITH : 5557-NR
- △ THIS DIMENSION IS ALLOWABLE UP TO "D" DIMENSION IN CASE OF 2 CIRCUITS.
4. PANEL HOLE TO BE PUNCHED OUT IN THE SAME DIRECTION AS INSERTION INTO THE PANEL.



RECOMMENDED PANEL HOLE DIMENSION
(THICKNESS : 0.8-2.0/.032-.079)



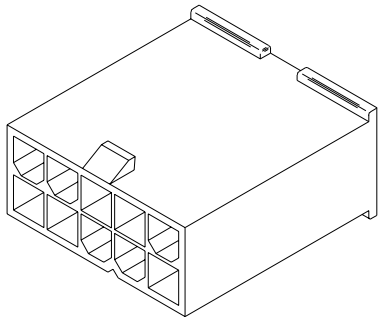
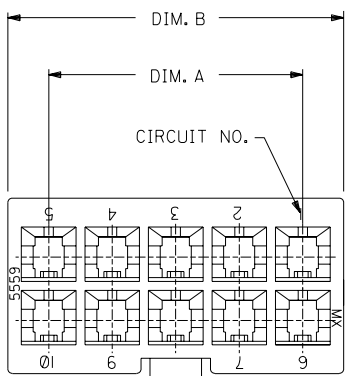
CIRCUIT SIZE LAYOUT (SCALE : 1-1)

52.1/2.051	57.0/2.244	51.6/2.031	46.2/1.819	39-01-2241	5559-24P	24
47.9/1.886	52.8/2.079	47.4/1.866	42.0/1.654	▲ -221	▲ -22P	22
43.7/1.720	48.6/1.913	43.2/1.701	37.8/1.488	-2201	-220P	20
39.5/1.555	44.4/1.748	39.0/1.535	33.6/1.323	-2181	-18P	18
35.3/1.390	40.2/1.583	34.8/1.370	29.4/1.158	-2161	-16P	16
31.1/1.224	36.0/1.417	30.6/1.205	25.2/0.992	-2141	-14P	14
26.8/1.055	31.8/1.252	26.4/1.039	21.0/0.827	-2121	-12P	12
22.6/0.890	27.6/1.087	22.2/0.874	16.8/0.661	-2101	-10P	10
18.4/0.724	23.4/0.921	18.0/0.709	12.6/0.496	-2081	-08P	8
14.2/0.559	19.2/0.756	13.8/0.543	8.4/0.331	-2061	-06P	6
10.0/0.394	15.0/0.591	9.6/0.378	4.2/0.165	▼ -2041	▼ -04P	4
5.8/0.228	10.8/0.425	5.4/0.213	—	39-01-2021	5559-02P	2
D	C	B	A	EDP NO.	ENG. NO.	CIRCUIT

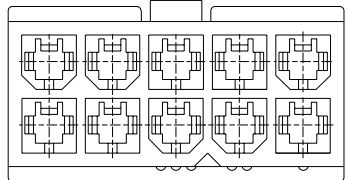
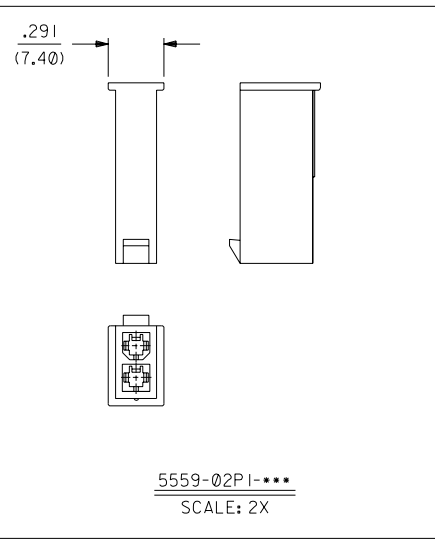
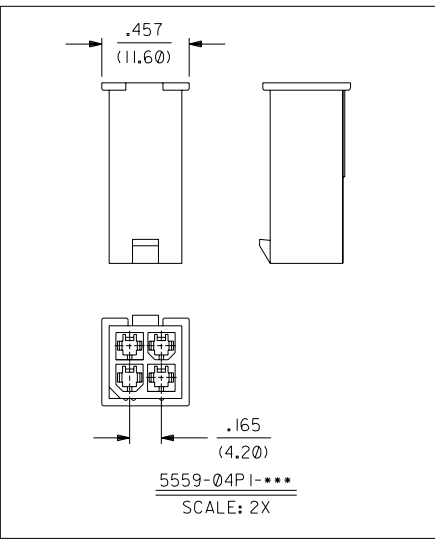
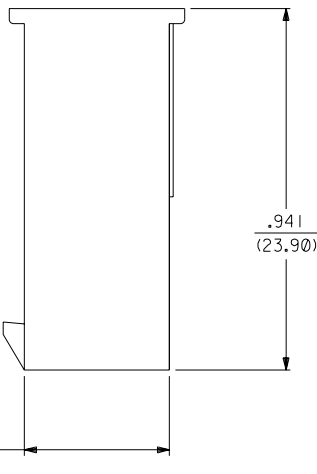
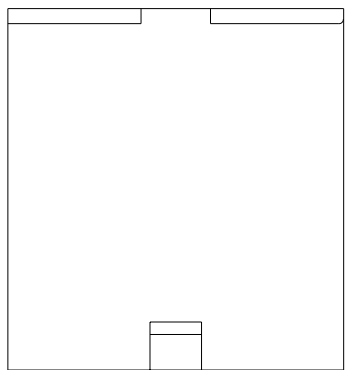
材料 MATERIAL		NYLON 66, UL94V-2		MATERIAL		MOLEX-JAPAN CO.,LTD. 日本モレックス株式会社	
仕上げ FINISH		—		EDP NO.		39-01-2**1	
適用電線範囲 WIRE RANGE		—		ENG. NO.		SD-5559-NP	
被覆外径 INS. RANGE		—		REV		G	
DRAWN BY 08/10/14 H.HIRAMOTO		CHK'D BY 08/10/21 Y.YAMADA		TITLE 名称 NEW MINI.FIT CONNECTOR CRIMP PIN HOUSING			
APP'D BY 08/10/24 M.ENOMOTO		尺度 SCALE 3 - 1					
角度 ANGLE	+3°						
30以上 OVER	+0.4 ±0.03						
10以上 30未満 UNDER	+0.3 ±0.025						
10未満 UNDER	+0.2						
一般公差 GENERAL TOLERANCES							
REVISE ONLY ON CAD SYSTEM							

THIS DRAWING CONTAINS INFORMATION THAT IS PROPRIETARY TO MOLEX(JAPAN) AND SHOULD NOT BE USED WITHOUT WRITTEN PERMISSION
本図面は日本モレックス(株)の所有する情報を含むもので 会社の許可なく複製を禁止する。

MXJ-8



CKT. SIZE	DIM. A	DIM. B
6	.331 (8.40)	.543 (13.80)
8	.496 (12.60)	.709 (18.00)
10	.661 (16.80)	.874 (22.20)
12	.827 (21.00)	1.039 (26.40)
14	.992 (25.20)	1.205 (30.60)
16	1.157 (29.40)	1.370 (34.80)
18	1.323 (33.60)	1.535 (39.00)
20	1.488 (37.80)	1.701 (43.20)
22	1.654 (42.00)	1.866 (47.40)
24	1.819 (46.20)	2.031 (51.60)



- NOTES:**
- MATERIAL; BLANK=NYLON 6/6, UL 94V-2, COLOR: NATURAL.
210=NYLON 6/6, UL 94V-0, COLOR: NATURAL.
220=NYLON 6/6, UL 94V-2, U. V. STABILIZED, COLOR: BLACK.
 - THIS PART MATES WITH RECEPTACLE #5557.
 - PART IS DESIGNED IN METRIC.
 - THIS PART IS FOR USE WITH MOLEX MALE TERMINAL #5558-.*.
 - PRODUCT SPECIFICATION; PS-5556-001

LTR.	REVISIONS	LTR.	REVISIONS
		C1	REV. '220' MAT'L. 94V-2 WAS 94V-0 ECN U11607 GEP 7-30-91 RJF
D	REV PS NOTE UCP2003-0396 9/2/2002 SAMIEC	C	REMOVED 'NO P.S.' ADDED NOTE 5 ECN U11273 GEP 7-26-91 RJF
C2	ADDED VIEWS FOR 2 AND 4-CIRCUIT ECR U20221 2-12-92 RJF	B	REDRAWN AND ADDED -220 MAT'L. PER ECR U91052 10-27-89 RF

DIMENSIONS SHOWN (METRIC) INCH	
UNLESS OTHERWISE SPECIFIED TOLERANCES: ANGULAR ± 1/2°	
3 PLACE ± .015	---
2 PLACE ± ---	± 0.38
1 PLACE ---	± ---

DIMENSIONS SHOWN (METRIC) INCH
 UNLESS OTHERWISE SPECIFIED TOLERANCES: ANGULAR ± 1/2°
 DRAFT WHERE APPLICABLE MUST REMAIN WITHIN DIMENSIONS
 DRWG. BY: RJF CHK'D. BY: BAP
 APP'D. BY: RAS SCALE: 4: 1
 TITLE: MINI-FIT JR SERIES PLUG W/O MTC. EARS
 MOLEX INCORPORATED U.S.A. SHEET NO. 1 OF 2 DATE 9/22/89
 PART NO. SD-5559-NP1*
 SEE CHART
 THIS DRAWING CONTAINS INFORMATION THAT IS PROPRIETARY TO MOLEX INC. AND SHOULD NOT BE USED WITHOUT WRITTEN PERMISSION.

2	C1
1	D

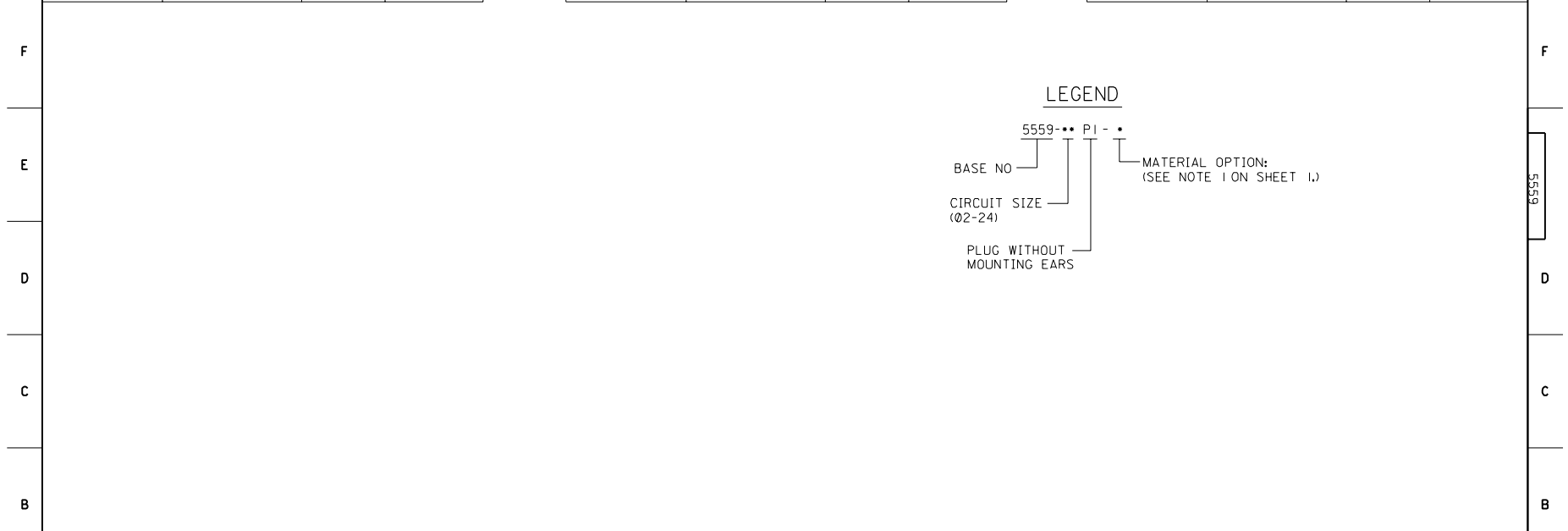
MFG. SH. REV.

FILE NAME	SD5559X1
DATE	9/22/89
DRWG. NO.	SD-5559-NP1*
DIV.	CP
SIZE	C

	13	12	11	10	9	8	7	6	5559	4	3	2	1	
	PART NUMBER	ENG. NUMBER	CIRCUIT SIZE	MATERIAL		PART NUMBER	ENG. NUMBER	CIRCUIT SIZE	MATERIAL		PART NUMBER	ENG. NUMBER	CIRCUIT SIZE	MATERIAL
J	39-01-3023	5559-02P1	2	94V-2		39-01-3029	5559-02P1-210	2	94V-0		15-04-6020	5559-02P1-220	2	94V-2, U.V. STABILIZED
	39-01-3043	5559-04P1	4	94V-2		39-01-3049	5559-04P1-210	4	94V-0		NO E.D.P.	5559-04P1-220	4	94V-2, U.V. STABILIZED
	39-01-3063	5559-06P1	6	94V-2		39-01-3069	5559-06P1-210	6	94V-0		NO E.D.P.	5559-06P1-220	6	94V-2, U.V. STABILIZED
I	39-01-3083	5559-08P1	8	94V-2		39-01-3089	5559-08P1-210	8	94V-0		NO E.D.P.	5559-08P1-220	8	94V-2, U.V. STABILIZED
	39-01-3103	5559-10P1	10	94V-2		39-01-3109	5559-10P1-210	10	94V-0		NO E.D.P.	5559-10P1-220	10	94V-2, U.V. STABILIZED
	39-01-3123	5559-12P1	12	94V-2		39-01-3129	5559-12P1-210	12	94V-0		NO E.D.P.	5559-12P1-220	12	94V-2, U.V. STABILIZED
H	39-01-3143	5559-14P1	14	94V-2		39-01-3149	5559-14P1-210	14	94V-0		NO E.D.P.	5559-14P1-220	14	94V-2, U.V. STABILIZED
	39-01-3163	5559-16P1	16	94V-2		39-01-3169	5559-16P1-210	16	94V-0		NO E.D.P.	5559-16P1-220	16	94V-2, U.V. STABILIZED
	39-01-3183	5559-18P1	18	94V-2		39-01-3189	5559-18P1-210	18	94V-0		NO E.D.P.	5559-18P1-220	18	94V-2, U.V. STABILIZED
G	39-01-3203	5559-20P1	20	94V-2		39-01-3209	5559-20P1-210	20	94V-0		NO E.D.P.	5559-20P1-220	20	94V-2, U.V. STABILIZED
	39-01-3223	5559-22P1	22	94V-2		39-01-3229	5559-22P1-210	22	94V-0		NO E.D.P.	5559-22P1-220	22	94V-2, U.V. STABILIZED
	39-01-3243	5559-24P1	24	94V-2		39-01-3249	5559-24P1-210	24	94V-0		NO E.D.P.	5559-24P1-220	24	94V-2, U.V. STABILIZED

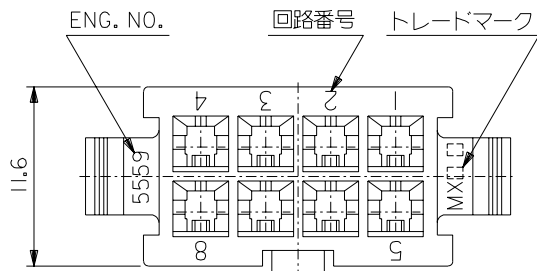
LEGEND

5559-** P1 - *
 BASE NO ———
 CIRCUIT SIZE (02-24) ———
 PLUG WITHOUT MOUNTING EARS ———
 MATERIAL OPTION: (SEE NOTE 1 ON SHEET 1.)



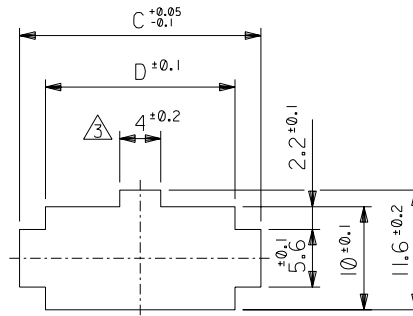
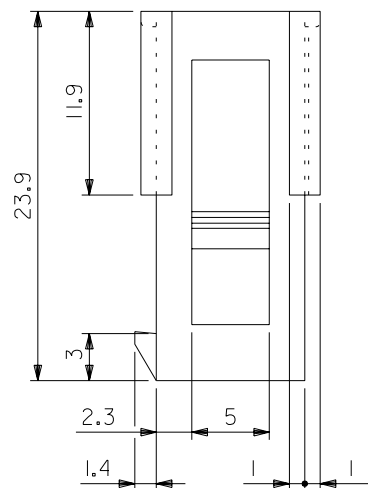
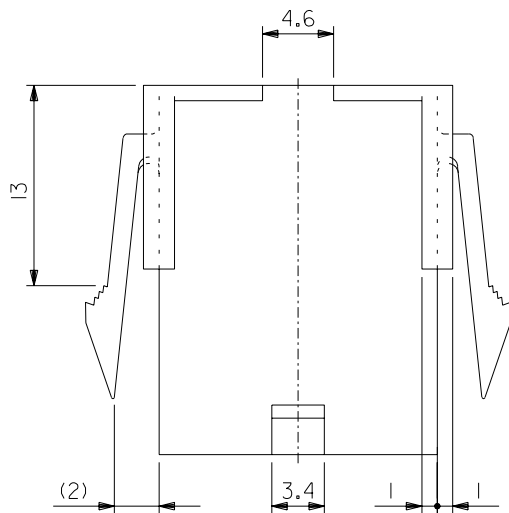
DIMENSIONS SHOWN (METRIC) INCH UNLESS OTHERWISE SPECIFIED TOLERANCES ANGULAR .01° ± .12°										▽ = 0 ▽ = 0 REVISE ONLY ON CAD SYSTEM	
INCH METRIC										TITLE MINI-FIT JR SERIES PLUG W/O MTG. EARS	
3 PLACE ± .010 ---										MOLEX INCORPORATED SHEET NO. 2 DATE 9/22/89	
2 PLACE ± .015 ± 0.25										PART NO. SD-5559-NP1	
1 PLACE --- ± 0.38										DRAWING NO. SEE CHART	
DRAFT WHERE APPLICABLE MUST REMAIN WITHIN DIMENSIONS										FILE NAME SD5559X2 THIS DRAWING CONTAINS INFORMATION THAT IS PROPRIETARY TO MOLEX INC. AND SHOULD NOT BE USED WITHOUT WRITTEN PERMISSION	
DRWG. BY: RJF ENQ'D. BY: BAP										CP C	
APP'D. BY: RAS SCALE: :											
LTR. REVISIONS					LTR. REVISIONS						

	13	12	11	10	9	8	7	6	5	4	3	2	1	
--	----	----	----	----	---	---	---	---	---	---	---	---	---	--

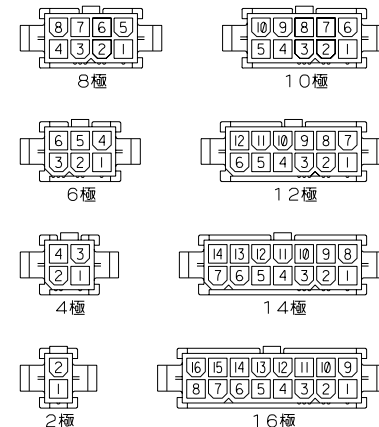


注記

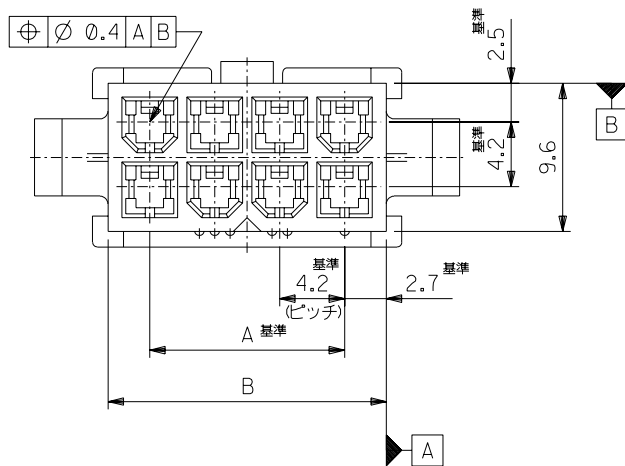
1. 適用ターミナル : 5558 シリーズ
2. 嵌合相手 : 5557-NR-210
3. 2極に限り4mm 寸法はD寸法にても可とする。
4. パネルスロットの打抜き方向はハウジングの挿入方向と同一のこと。



パネルスロット寸法 (パネル厚 0.8 - 2.0)



極数別レイアウト図 (SCALE : 1 - 1)



35.3	40.2	34.8	29.4	39-01-2166	5559-16P-210	16
31.1	36	30.6	25.2	▲ -2146	▲ -14P-210	14
26.8	31.8	26.4	21	-2126	-12P-210	12
22.6	27.6	22.2	16.8	-2106	-10P-210	10
18.4	23.4	18	12.6	-2086	-08P-210	8
14.2	19.2	13.8	8.4	-2066	-06P-210	6
10	15	9.6	4.2	▼ -2046	▼ -04P-210	4
5.8	10.8	5.4	—	39-01-2026	5559-02P-210	2
D	C	B	A	EDP NO.	ENG. NO.	極数

角度 ANGLE	+3°
30以上 OVER	+0.4 +0.3
10以上 OVER 30未滿 UNDER	+0.3 +0.25
未滿 UNDER	+0.2
一般公差 GENERAL TOLERANCES	

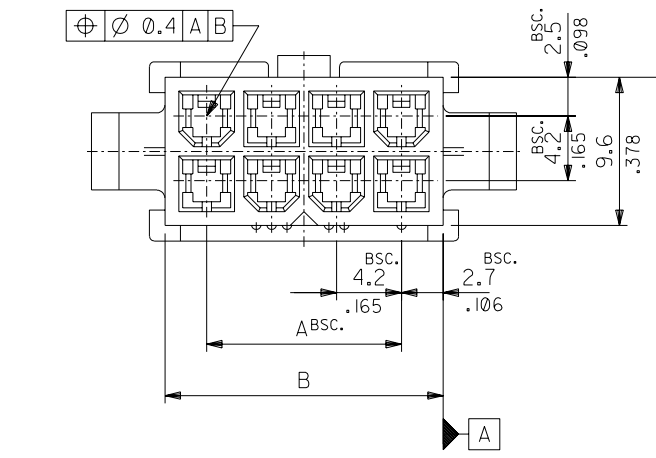
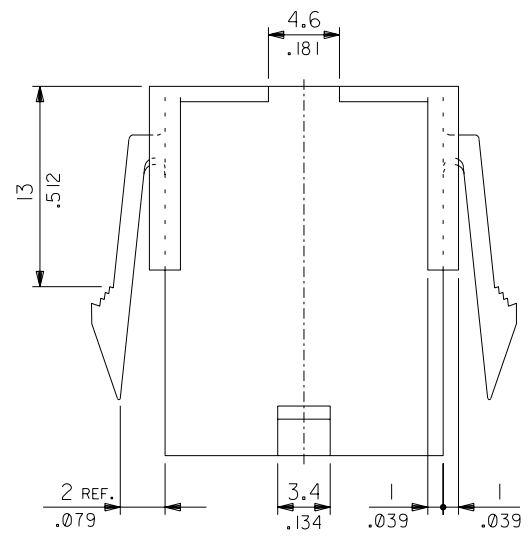
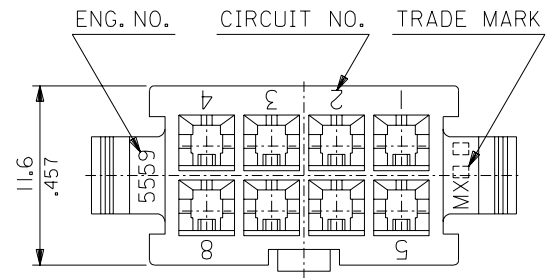
材料 MATERIAL	ナイロン66, UL94V-0
色	色: オフホワイト
仕上げ FINISH	—
適用電線範囲 WIRE RANGE	—
被覆外径 INS. RANGE	—
D 変更 (J20850)	H.H. '92/9/19
C 再作図 (J80832)	H.H. '88/10/17
記号 LTR	変更内容 REVISION RECORD
DR. CHK.	日付 DATE

材料 MATERIAL	ナイロン66, UL94V-0	色: オフホワイト	
仕上げ FINISH	—		
適用電線範囲 WIRE RANGE	—		
被覆外径 INS. RANGE	—		
D 変更 (J20850)	H.H. '92/9/19		
C 再作図 (J80832)	H.H. '88/10/17		
DRAWN BY	'88/10/14 H.HIRAMOTO	CHK'D BY	'92/09/19 H.HIRAMOTO
APP'D BY	'92/09/21 M.ERAMOTO	尺度 SCALE	3 - 1
DWG. NO.	SD-5559-NP-210	REV	D

ENG. NO.
SD-5559-NP-210

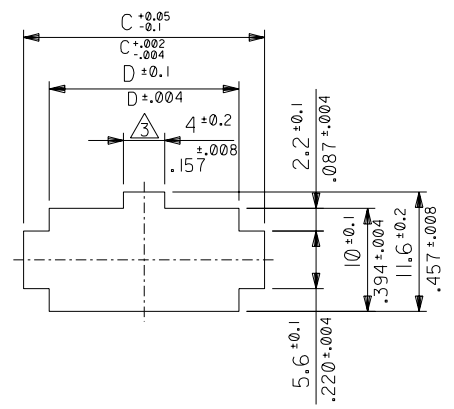
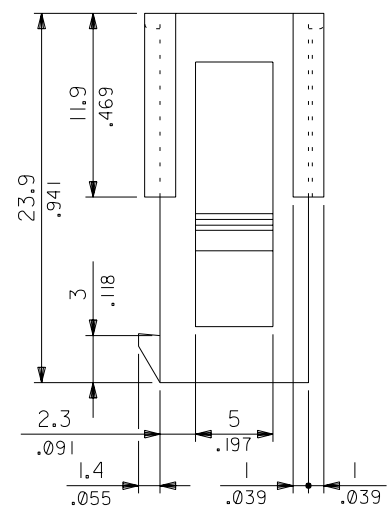
EDP NO.
39-01-2**6

MM DIMENSIONS IN METRIC DO NOT SCALE DRAWING

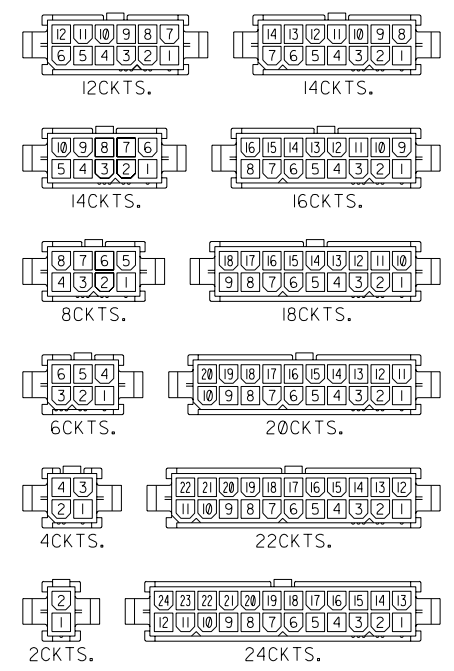


NOTES

1. TERMINAL : 5558 SERIES
2. MATES WITH : 5557-NR-210
3. THIS DIMENSION IS ALLOWABLE UP TO "D" DIMENSION IN CASE OF 2 CIRCUITS.
4. PANEL HOLE TO BE PUNCHED OUT IN THE SAME DIRECTION AS INSERTION INTO THE PANEL.



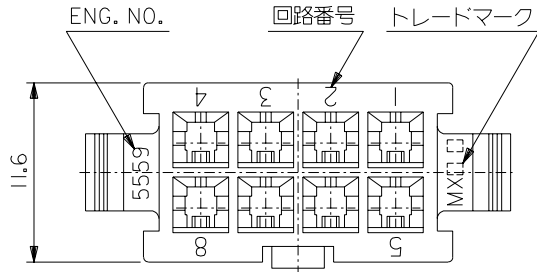
RECOMMENDED PANEL HOLE DIMENSION
(THICKNESS : 0.8-2.0/.032-.079)



CIRCUIT SIZE LAYOUT (SCALE : 1-1)

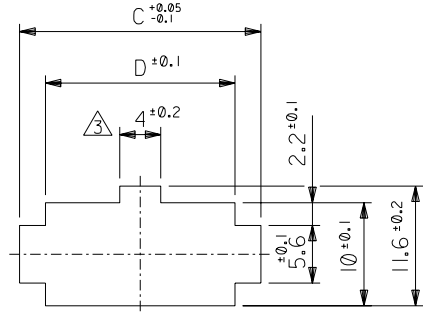
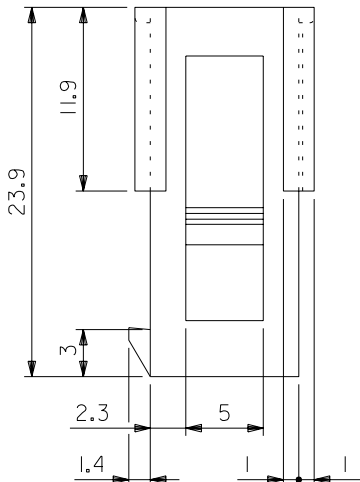
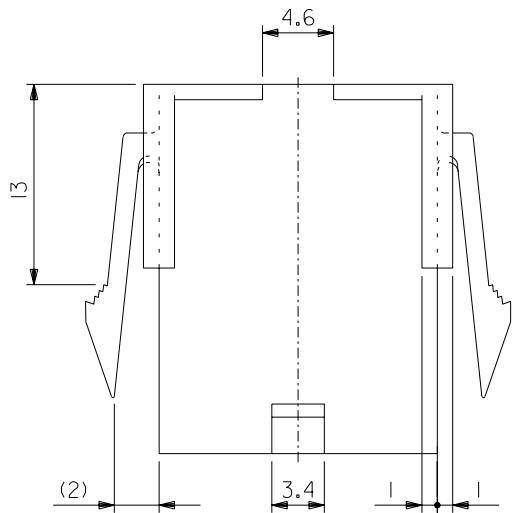
52.1/2.051	57.0/2.244	51.6/2.031	46.2/1.819	39-01-2246	5559-24P-210	24
47.9/1.886	52.8/2.079	47.4/1.866	42.0/1.654	▲ -2226	▲ -22P-210	22
43.7/1.720	48.6/1.913	43.2/1.701	37.8/1.488	-2206	-20P-210	20
39.5/1.555	44.4/1.748	39.0/1.535	33.6/1.323	-2186	-18P-210	18
35.3/1.390	40.2/1.583	34.8/1.370	29.4/1.158	-2166	-16P-210	16
31.1/1.224	36.0/1.417	30.6/1.205	25.2/.992	-2146	-14P-210	14
26.8/1.055	31.8/1.252	26.4/1.039	21.0/.827	-2126	-12P-210	12
22.6/.890	27.6/1.087	22.2/.874	16.8/.661	-2106	-10P-210	10
18.4/.724	23.4/.921	18.0/.709	12.6/.496	-2086	-08P-210	8
14.2/.559	19.2/.756	13.8/.543	8.4/.331	-2066	-06P-210	6
10.0/.394	15.0/.591	9.6/.378	4.2/.165	▼ -2046	▼ -04P-210	4
5.8/.228	10.8/.425	5.4/.213	—	39-01-2026	5559-02P-210	2
D	C	B	A	EDP NO.	ENG. NO.	CIRCUIT

材料 MATERIAL NYLON 66, UL94V-0		molex MOLEX-JAPAN CO.,LTD. 日本モレックス株式会社	
仕上げ FINISH —		EDP. NO. 39-01-2**6	
適用電線範囲 WIRE RANGE —		ENG. NO. SD-5559-NP-210	
被覆外径 INS. RANGE —		REV C	
角度 ANGLE 30以上 OVER 10以上 OVER 30未満 UNDER 10未満 UNDER 一般公差 GENERAL TOLERANCES	±3° +0.4 ±0.3 ±0.2	記号 変更内容 REVISION RECORD REVISED & REDRAWN (J80832) H.H. H.H. DR. CHK. 日付 DATE 08/10/17	DRAWN BY 08/10/14 H.HIRAMOTO CHK'D BY 08/10/17 M.EMURA APP'D BY 08/10/24 M.EMURA 尺度 SCALE 3-1
REVISE ONLY ON CAD SYSTEM		TITLE 名称 NEW MINI.FIT CONNECTOR CRIMP PIN HOUSING	

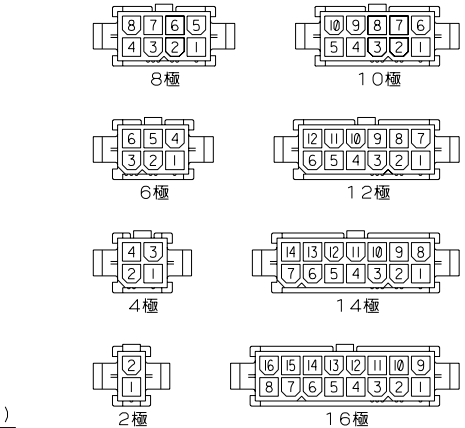


注記

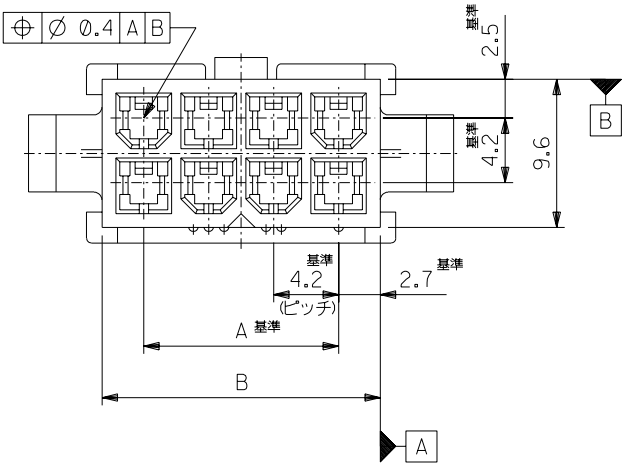
- 適用ターミナル：5558 シリーズ
- 嵌合相手：5557-NR-210
- 2極に限り4mm 寸法はD寸法にても可とする。
- パネルスロットの打抜き方向はハウジングの挿入方向と同一のこと。



パネルスロット寸法 (パネル厚 0.8 - 2.0)



極数別レイアウト図 (SCALE : 1 - 1)



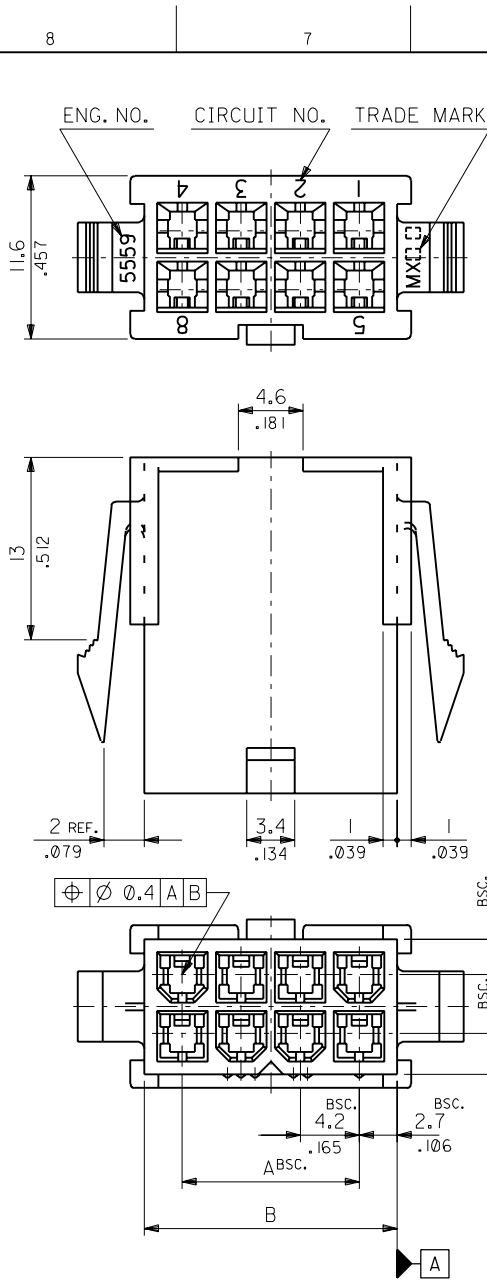
35.3	40.2	34.8	29.4	39-01-2166	5559-16P-210	16
31.1	36	30.6	25.2	▲ -2146	▲ -14P-210	14
26.8	31.8	26.4	21	-2126	-12P-210	12
22.6	27.6	22.2	16.8	-2106	-10P-210	10
18.4	23.4	18	12.6	-2086	-08P-210	8
14.2	19.2	13.8	8.4	-2066	-06P-210	6
10	15	9.6	4.2	▼ -2046	▼ -04P-210	4
5.8	10.8	5.4	—	39-01-2026	5559-02P-210	2
D	C	B	A	EDP NO.	ENG. NO.	極数

角度 ANGLE	±3°									
30以上 OVER	±0.4 ±0.3									
10以上 OVER 30未滿 UNDER	±0.3 ±0.25									
未滿 10 UNDER	±0.2									
一般公差 GENERAL TOLERANCES										
記号 LTR	変更内容 REVISION RECORD	DR. CHK.	日付 DATE	材料 MATERIAL	仕上げ FINISH	適用電線範囲 WIRE RANGE	被覆外径 INS. RANGE	DRAWN BY	CHK'D BY	APP'D BY
D	変更 (J20850)	H.H.	'92/9/19	ナイロン66, UL94V-0 色: オフホワイト	—	—	—	H.HIRAMOTO	M.HIRAMOTO	M.HIRAMOTO
C	再作図 (J80832)	H.H.	'88/10/17							

材料 MATERIAL	ナイロン66, UL94V-0 色: オフホワイト	MOLEX-JAPAN CO.,LTD. 日本モレックス株式会社
仕上げ FINISH	—	
適用電線範囲 WIRE RANGE	—	REVISE ONLY ON CAD SYSTEM
被覆外径 INS. RANGE	—	TITLE 名称
DRAWN BY	H.HIRAMOTO	NEW MINI.FIT CONNECTOR CRIMP PIN HOUSING
CHK'D BY	M.HIRAMOTO	
APP'D BY	M.HIRAMOTO	DWG. NO.
尺度 SCALE	3 - 1	SD-5559-NP-210
		REV
		D

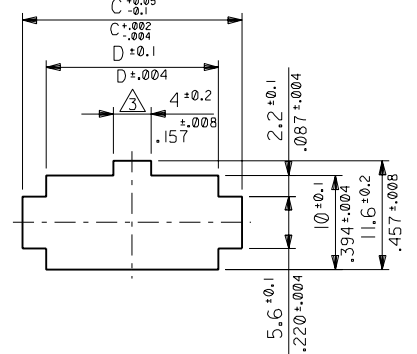
ENG. NO. SD-5559-NP-210
EDP NO. 39-01-2**6

MM DIMENSIONS IN METRIC DO NOT SCALE DRAWING



NOTES

1. TERMINAL : 5558 SERIES
2. MATES WITH : 5557-NR-210
- △ THIS DIMENSION IS ALLOWABLE UP TO "D" DIMENSION IN CASE OF 2 CIRCUITS.
4. PANEL HOLE TO BE PUNCHED OUT IN THE SAME DIRECTION AS INSERTION INTO THE PANEL.



RECOMMENDED PANEL HOLE DIMENSION
(THICKNESS : 0.8-2.0 / 0.32-.079)

52.1/2.051	57.0/2.244	51.6/2.031	46.2/1.819
47.9/1.886	52.8/2.079	47.4/1.866	42.0/1.654
43.7/1.720	48.6/1.913	43.2/1.701	37.8/1.488
39.5/1.555	44.4/1.748	39.0/1.535	33.6/1.323
35.3/1.390	40.2/1.583	34.8/1.370	29.4/1.158
31.1/1.224	36.0/1.417	30.6/1.205	25.2/0.992
26.8/1.055	31.8/1.252	26.4/1.039	21.0/0.827
22.6/0.890	27.6/1.087	22.2/0.874	16.8/0.661
18.4/0.724	23.4/0.921	18.0/0.709	12.6/0.496
14.2/0.559	19.2/0.756	13.8/0.543	8.4/0.331
10.0/0.394	15.0/0.591	9.6/0.378	4.2/0.165
5.8/0.228	10.8/0.425	5.4/0.213	—
	D	C	B
			A

角度 ANGLE	+3°
30 以上 OVER	+0.4 +0.3
10 以上 30 未満 UNDER	+0.3 +0.25
10 未満 UNDER	+0.2
一般公差 GENERAL TOLERANCES	

REVISED & REDRAWN (J80832)	H.H.	88/10/17
変更内容 REVISION RECORD	DR. CHK.	日付 DATE
REVISION RECORD		
REVISION RECORD		

材料 MATERIAL	NYLON 66, UL94V0
仕上げ FINISH	—
適用電線範囲 WIRE RANGE	—
被覆外径 INS. RANGE	—
DRAWN BY 88/10/H H.HIRAMOTO	CHK'D BY 88/10/A M.ETOH
APP'D BY 88/10/H H.HIRAMOTO	尺度 SCALE 3

THIS DRAWING CONTAINS INFORMATION THAT IS PROPRIETARY TO MOLEX/JAPAN AND SHOULD NOT BE DISCLOSED TO ANY OTHER PARTY WITHOUT THE WRITTEN PERMISSION OF MOLEX/JAPAN. THIS DRAWING IS THE PROPERTY OF MOLEX/JAPAN AND SHOULD NOT BE REPRODUCED OR TRANSMITTED IN ANY FORM OR BY ANY MEANS, ELECTRONIC OR MECHANICAL, INCLUDING PHOTOCOPYING, RECORDING, OR BY ANY INFORMATION STORAGE AND RETRIEVAL SYSTEM.