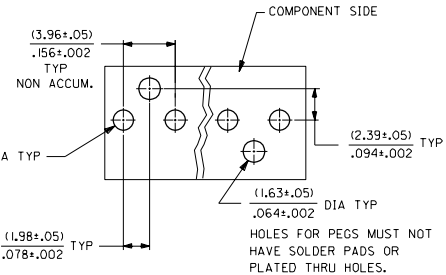
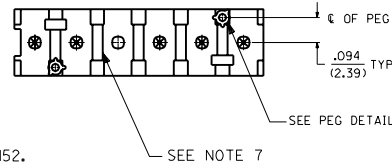
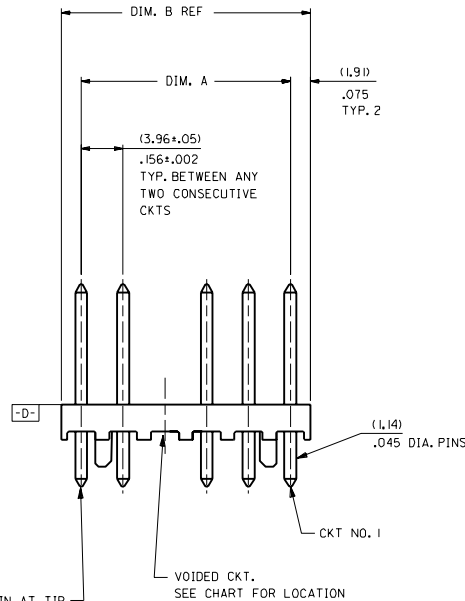
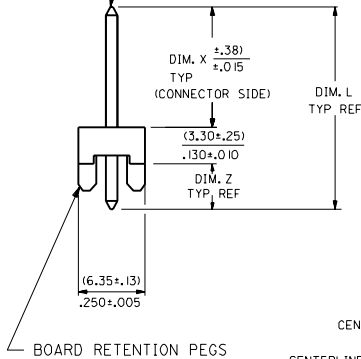
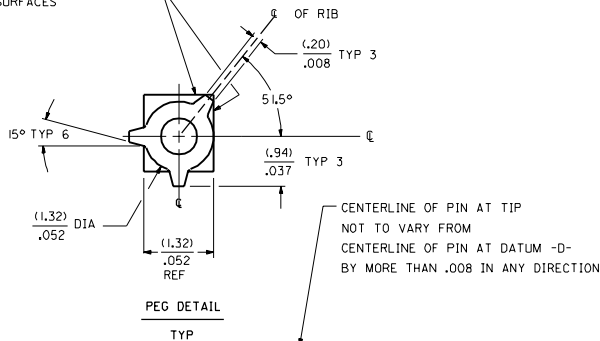


PEG NOT TO EXTEND BEYOND THESE SURFACES



RECOMMENDED PC BOARD HOLE LAYOUT FOR CORRECT ORIENTATION OF PARTS WITH VOIDS ELIMINATE CORRESPONDING PCB HOLE

NO. OF CKT'S.	DIM. A	DIM. B	NO. OF PEGS
2	(3.96±.05) .156±.002	(7.77) .306	1
3	(7.92±.08) .312±.003	(11.73) .462	2
4	(11.89±.08) .468±.003	(15.70) .618	2
5	(15.85±.10) .624±.004	(19.66) .774	2
6	(19.81±.10) .780±.004	(23.62) .930	2
7	(23.77±.10) .936±.004	(27.58) 1.086	2
8	(27.74±.13) 1.092±.005	(31.55) 1.242	2
9	(31.70±.13) 1.248±.005	(35.51) 1.398	2
10	(35.66±.13) 1.404±.005	(39.47) 1.554	2
11	(39.62±.15) 1.560±.006	(43.43) 1.710	2
12	(43.59±.15) 1.716±.006	(47.40) 1.866	2
13	(47.55±.15) 1.872±.006	(51.36) 2.022	2
14	(51.51±.18) 2.028±.007	(55.32) 2.178	2
15	(55.47±.18) 2.184±.007	(59.28) 2.334	2
16	(59.44±.18) 2.340±.007	(63.25) 2.490	2
17	(63.40±.20) 2.496±.008	(67.21) 2.646	2
18	(67.36±.20) 2.652±.008	(71.17) 2.802	2

NOTES:

- PRECEDING ENG. NO. IN CHART DESIGNATES STANDARD PRODUCT.
- SOLDERABILITY: WHEN PARTS ARE SOLDERED AT A TEMPERATURE OF 230°C (446°F) FOR 5 SECONDS, EACH SOLDERED SURFACE SHALL BE A MINIMUM OF 95% COVERED WITH A SMOOTH CONTINUOUS ADHERENT COATING. FOR OTHER INFORMATION SEE ES-152.
- PIN PUSH OUT FORCE: PRIOR TO SOLDERING, A 3 POUND MINIMUM FORCE (IN EITHER DIRECTION) SHALL BE REQUIRED TO PUSH THE PIN OUT OF THE HEADER.
- FOR ADDITIONAL INFORMATION AND TESTING PROCEDURES SEE PS-08-50.
- PARTS ARE STACKABLE END TO END ON (3.96)/.156 CENTERS.
- FOR PARTS WITHOUT PEGS SEE DWG. NO. SDA-41741
- EXPANSION SLOTS TO BE THRU-SLOTS, AS SHOWN, ON 4 THRU 18 CKT. PARTS. MATERIAL: HEADER: GLASS FILLED POLYESTER, 94V-0, MOLDED NATURAL (WHITE). PIN: BRASS

PLATINGS:

(102) ELECTRO TIN .000450/.000200 OVER .000200/.000100 COPPER
 (501) GOLD .000030/.000020 OVER .000080/.000030 NICKEL
 (503) GOLD .000040/.000030 OVER .000100/.000050 NICKEL
 FOR ADDITIONAL INFORMATION SEE SDSES-88.

B2	DEL TUBE PACKS UCR2000-0790 5-30-00 SAMIEC	A1	ADDED OPTIONS TO CONFORM W/A-41741 ERO 27923 2-13-89 COMSTOCK	DIMENSIONS SHOWN METRIC (INCH) UNLESS OTHERWISE SPECIFIED TOLERANCES: ANGULAR 1/2° INCH METRIC 3 PLACE ± 2 PLACE ± 1 PLACE ±	REVISIONS ONLY ON CAD SYSTEM TITLE: FLAT HEADER ASSY .156 @ STRT RD PINS, W/ PEG 42441 SERIES DWG PART NO. FILE NAME: SD A-42441 DRWG. NO. SD A-42441
B1	41740 WAS 41470 ECR U30801 5-25-93 SAMIEC	A	FINAL RELEASE -0002 TO -0035 ERO #27402 10/24/88 KROEGER		
B	ADD BOTTOM VIEW, PEG DETAIL NOTE ECR US-1032 10-9-89 SCHAFFER	I	X RELEASED ERO 27055 8-18-88 SAMIEC	DRAFT WHERE APPLICABLE MUST REMAIN WITHIN DIMENSIONS DRWG. BY: SAMIEC APP'D. BY: LENZ DRWG. BY: PATEL SCALE:	SHEET NO. 1 OF 4 DATE 08/18/88 DIV. KK SIZE C
LTR.	REVISIONS	LTR.	REVISIONS	THIS DRAWING CONTAINS INFORMATION THAT IS PROPRIETARY TO MOLEX INC. AND SHOULD NOT BE USED WITHOUT WRITTEN PERMISSION.	

13		12		11		10		9		8		7		6		42441		4		3		2		1																																																																																																																																																																																																																																																																																																																																																							
ENG. NO.	HEADER NO.	PIN NO.		DIM. L		DIM. X		DIM. Z		NO OF CKTS	VOID CKTS	PACKAGING	EDPS NO ON COL																																																																																																																																																																																																																																																																																																																																																																		
J	A-42441-0002/0018	41740-0019/0035		2173 -28(102)		.720 (18.29)		.450 (11.43)		.140 (3.56)		2-18	NONE	BULK	1																																																																																																																																																																																																																																																																																																																																																																
	A-42441-0019/0035	41740-0019/0035		2173 -28(501)		.720 (18.29)		.450 (11.43)		.140 (3.56)		2-18	NONE	BULK	2																																																																																																																																																																																																																																																																																																																																																																
	A-42441-0036/0052 FOR BOTTOM ENTRY	41740-0019/0035		2173 -3(102)		.937 (23.80)		.665 (16.89)		.142 (3.61)		2-18	NONE	BULK	3																																																																																																																																																																																																																																																																																																																																																																
I	A-42441-0053/0069 FOR BOTTOM ENTRY	41740-0019/0035		2173 -3(501)		.937 (23.80)		.665 (16.89)		.142 (3.61)		2-18	NONE	BULK	4																																																																																																																																																																																																																																																																																																																																																																
	A- -	-		-		()		()		()																																																																																																																																																																																																																																																																																																																																																																					
	A- -	-		-		()		()		()																																																																																																																																																																																																																																																																																																																																																																					
H																																																																																																																																																																																																																																																																																																																																																																															
G																																																																																																																																																																																																																																																																																																																																																																															
F																																																																																																																																																																																																																																																																																																																																																																															
E																																																																																																																																																																																																																																																																																																																																																																															
D																																																																																																																																																																																																																																																																																																																																																																															
C																																																																																																																																																																																																																																																																																																																																																																															
B																																																																																																																																																																																																																																																																																																																																																																															
A																																																																																																																																																																																																																																																																																																																																																																															
<table border="1"> <thead> <tr> <th colspan="3">COLUMN NO. 1</th> <th colspan="3">COLUMN NO. 2</th> <th colspan="3">COLUMN NO. 3</th> <th colspan="3">COLUMN NO. 4</th> <th colspan="3">COLUMN NO. 5</th> <th colspan="3">COLUMN NO. 6</th> </tr> <tr> <th>EDP NO.</th> <th>ENG. NO.</th> <th>NO OF CKTS</th> <th>EDP NO.</th> <th>ENG. NO.</th> <th>NO OF CKTS</th> <th>EDP NO.</th> <th>ENG. NO.</th> <th>NO OF CKTS</th> <th>EDP NO.</th> <th>ENG. NO.</th> <th>NO OF CKTS</th> <th>EDP NO.</th> <th>ENG. NO.</th> <th>NO OF CKTS</th> <th>EDP NO.</th> <th>ENG. NO.</th> <th>NO OF CKTS</th> </tr> </thead> <tbody> <tr><td>26-64-0020</td><td>A-42441-0002</td><td>2</td><td>26-65-0020</td><td>A-42441-0019</td><td>2</td><td></td><td>A-42441-0036</td><td>2</td><td></td><td>A-42441-0053</td><td>2</td><td></td><td></td><td>2</td><td></td><td></td><td>2</td></tr> <tr><td>26-64-0030</td><td>A-42441-0003</td><td>3</td><td>26-65-0030</td><td>A-42441-0020</td><td>3</td><td></td><td>A-42441-0037</td><td>3</td><td></td><td>A-42441-0054</td><td>3</td><td></td><td></td><td>3</td><td></td><td></td><td>3</td></tr> <tr><td>26-64-0040</td><td>A-42441-0004</td><td>4</td><td>26-65-0040</td><td>A-42441-0021</td><td>4</td><td></td><td>A-42441-0038</td><td>4</td><td></td><td>A-42441-0055</td><td>4</td><td></td><td></td><td>4</td><td></td><td></td><td>4</td></tr> <tr><td>26-64-0050</td><td>A-42441-0005</td><td>5</td><td>26-65-0050</td><td>A-42441-0022</td><td>5</td><td></td><td>A-42441-0039</td><td>5</td><td></td><td>A-42441-0056</td><td>5</td><td></td><td></td><td>5</td><td></td><td></td><td>5</td></tr> <tr><td>26-64-0060</td><td>A-42441-0006</td><td>6</td><td>26-65-0060</td><td>A-42441-0023</td><td>6</td><td></td><td>A-42441-0040</td><td>6</td><td></td><td>A-42441-0057</td><td>6</td><td></td><td></td><td>6</td><td></td><td></td><td>6</td></tr> <tr><td>26-64-0070</td><td>A-42441-0007</td><td>7</td><td>26-65-0070</td><td>A-42441-0024</td><td>7</td><td></td><td>A-42441-0041</td><td>7</td><td></td><td>A-42441-0058</td><td>7</td><td></td><td></td><td>7</td><td></td><td></td><td>7</td></tr> <tr><td>26-64-0080</td><td>A-42441-0008</td><td>8</td><td>26-65-0080</td><td>A-42441-0025</td><td>8</td><td></td><td>A-42441-0042</td><td>8</td><td></td><td>A-42441-0059</td><td>8</td><td></td><td></td><td>8</td><td></td><td></td><td>8</td></tr> <tr><td>26-64-0090</td><td>A-42441-0009</td><td>9</td><td>26-65-0090</td><td>A-42441-0026</td><td>9</td><td></td><td>A-42441-0043</td><td>9</td><td></td><td>A-42441-0060</td><td>9</td><td></td><td></td><td>9</td><td></td><td></td><td>9</td></tr> <tr><td>26-64-0100</td><td>A-42441-0010</td><td>10</td><td>26-65-0100</td><td>A-42441-0027</td><td>10</td><td></td><td>A-42441-0044</td><td>10</td><td></td><td>A-42441-0061</td><td>10</td><td></td><td></td><td>10</td><td></td><td></td><td>10</td></tr> <tr><td>26-64-0110</td><td>A-42441-0011</td><td>11</td><td>26-65-0110</td><td>A-42441-0028</td><td>11</td><td></td><td>A-42441-0045</td><td>11</td><td></td><td>A-42441-0062</td><td>11</td><td></td><td></td><td>11</td><td></td><td></td><td>11</td></tr> <tr><td>26-64-0120</td><td>A-42441-0012</td><td>12</td><td>26-65-0120</td><td>A-42441-0029</td><td>12</td><td></td><td>A-42441-0046</td><td>12</td><td></td><td>A-42441-0063</td><td>12</td><td></td><td></td><td>12</td><td></td><td></td><td>12</td></tr> <tr><td>26-64-0130</td><td>A-42441-0013</td><td>13</td><td>26-65-0130</td><td>A-42441-0030</td><td>13</td><td></td><td>A-42441-0047</td><td>13</td><td></td><td>A-42441-0064</td><td>13</td><td></td><td></td><td>13</td><td></td><td></td><td>13</td></tr> <tr><td>26-64-0140</td><td>A-42441-0014</td><td>14</td><td>26-65-0140</td><td>A-42441-0031</td><td>14</td><td></td><td>A-42441-0048</td><td>14</td><td></td><td>A-42441-0065</td><td>14</td><td></td><td></td><td>14</td><td></td><td></td><td>14</td></tr> <tr><td>26-64-0150</td><td>A-42441-0015</td><td>15</td><td>26-65-0150</td><td>A-42441-0032</td><td>15</td><td></td><td>A-42441-0049</td><td>15</td><td></td><td>A-42441-0066</td><td>15</td><td></td><td></td><td>15</td><td></td><td></td><td>15</td></tr> <tr><td>26-64-0160</td><td>A-42441-0016</td><td>16</td><td>26-65-0160</td><td>A-42441-0033</td><td>16</td><td></td><td>A-42441-0050</td><td>16</td><td></td><td>A-42441-0067</td><td>16</td><td></td><td></td><td>16</td><td></td><td></td><td>16</td></tr> <tr><td>26-64-0170</td><td>A-42441-0017</td><td>17</td><td>26-65-0170</td><td>A-42441-0034</td><td>17</td><td></td><td>A-42441-0051</td><td>17</td><td></td><td>A-42441-0068</td><td>17</td><td></td><td></td><td>17</td><td></td><td></td><td>17</td></tr> <tr><td>26-64-0180</td><td>A-42441-0018</td><td>18</td><td>26-65-0180</td><td>A-42441-0035</td><td>18</td><td></td><td>A-42441-0052</td><td>18</td><td></td><td>A-42441-0069</td><td>18</td><td></td><td></td><td>18</td><td></td><td></td><td>18</td></tr> </tbody> </table>																										COLUMN NO. 1			COLUMN NO. 2			COLUMN NO. 3			COLUMN NO. 4			COLUMN NO. 5			COLUMN NO. 6			EDP NO.	ENG. NO.	NO OF CKTS	EDP NO.	ENG. NO.	NO OF CKTS	EDP NO.	ENG. NO.	NO OF CKTS	EDP NO.	ENG. NO.	NO OF CKTS	EDP NO.	ENG. NO.	NO OF CKTS	EDP NO.	ENG. NO.	NO OF CKTS	26-64-0020	A-42441-0002	2	26-65-0020	A-42441-0019	2		A-42441-0036	2		A-42441-0053	2			2			2	26-64-0030	A-42441-0003	3	26-65-0030	A-42441-0020	3		A-42441-0037	3		A-42441-0054	3			3			3	26-64-0040	A-42441-0004	4	26-65-0040	A-42441-0021	4		A-42441-0038	4		A-42441-0055	4			4			4	26-64-0050	A-42441-0005	5	26-65-0050	A-42441-0022	5		A-42441-0039	5		A-42441-0056	5			5			5	26-64-0060	A-42441-0006	6	26-65-0060	A-42441-0023	6		A-42441-0040	6		A-42441-0057	6			6			6	26-64-0070	A-42441-0007	7	26-65-0070	A-42441-0024	7		A-42441-0041	7		A-42441-0058	7			7			7	26-64-0080	A-42441-0008	8	26-65-0080	A-42441-0025	8		A-42441-0042	8		A-42441-0059	8			8			8	26-64-0090	A-42441-0009	9	26-65-0090	A-42441-0026	9		A-42441-0043	9		A-42441-0060	9			9			9	26-64-0100	A-42441-0010	10	26-65-0100	A-42441-0027	10		A-42441-0044	10		A-42441-0061	10			10			10	26-64-0110	A-42441-0011	11	26-65-0110	A-42441-0028	11		A-42441-0045	11		A-42441-0062	11			11			11	26-64-0120	A-42441-0012	12	26-65-0120	A-42441-0029	12		A-42441-0046	12		A-42441-0063	12			12			12	26-64-0130	A-42441-0013	13	26-65-0130	A-42441-0030	13		A-42441-0047	13		A-42441-0064	13			13			13	26-64-0140	A-42441-0014	14	26-65-0140	A-42441-0031	14		A-42441-0048	14		A-42441-0065	14			14			14	26-64-0150	A-42441-0015	15	26-65-0150	A-42441-0032	15		A-42441-0049	15		A-42441-0066	15			15			15	26-64-0160	A-42441-0016	16	26-65-0160	A-42441-0033	16		A-42441-0050	16		A-42441-0067	16			16			16	26-64-0170	A-42441-0017	17	26-65-0170	A-42441-0034	17		A-42441-0051	17		A-42441-0068	17			17			17	26-64-0180	A-42441-0018	18	26-65-0180	A-42441-0035	18		A-42441-0052	18		A-42441-0069	18			18			18
COLUMN NO. 1			COLUMN NO. 2			COLUMN NO. 3			COLUMN NO. 4			COLUMN NO. 5			COLUMN NO. 6																																																																																																																																																																																																																																																																																																																																																																
EDP NO.	ENG. NO.	NO OF CKTS	EDP NO.	ENG. NO.	NO OF CKTS	EDP NO.	ENG. NO.	NO OF CKTS	EDP NO.	ENG. NO.	NO OF CKTS	EDP NO.	ENG. NO.	NO OF CKTS	EDP NO.	ENG. NO.	NO OF CKTS																																																																																																																																																																																																																																																																																																																																																														
26-64-0020	A-42441-0002	2	26-65-0020	A-42441-0019	2		A-42441-0036	2		A-42441-0053	2			2			2																																																																																																																																																																																																																																																																																																																																																														
26-64-0030	A-42441-0003	3	26-65-0030	A-42441-0020	3		A-42441-0037	3		A-42441-0054	3			3			3																																																																																																																																																																																																																																																																																																																																																														
26-64-0040	A-42441-0004	4	26-65-0040	A-42441-0021	4		A-42441-0038	4		A-42441-0055	4			4			4																																																																																																																																																																																																																																																																																																																																																														
26-64-0050	A-42441-0005	5	26-65-0050	A-42441-0022	5		A-42441-0039	5		A-42441-0056	5			5			5																																																																																																																																																																																																																																																																																																																																																														
26-64-0060	A-42441-0006	6	26-65-0060	A-42441-0023	6		A-42441-0040	6		A-42441-0057	6			6			6																																																																																																																																																																																																																																																																																																																																																														
26-64-0070	A-42441-0007	7	26-65-0070	A-42441-0024	7		A-42441-0041	7		A-42441-0058	7			7			7																																																																																																																																																																																																																																																																																																																																																														
26-64-0080	A-42441-0008	8	26-65-0080	A-42441-0025	8		A-42441-0042	8		A-42441-0059	8			8			8																																																																																																																																																																																																																																																																																																																																																														
26-64-0090	A-42441-0009	9	26-65-0090	A-42441-0026	9		A-42441-0043	9		A-42441-0060	9			9			9																																																																																																																																																																																																																																																																																																																																																														
26-64-0100	A-42441-0010	10	26-65-0100	A-42441-0027	10		A-42441-0044	10		A-42441-0061	10			10			10																																																																																																																																																																																																																																																																																																																																																														
26-64-0110	A-42441-0011	11	26-65-0110	A-42441-0028	11		A-42441-0045	11		A-42441-0062	11			11			11																																																																																																																																																																																																																																																																																																																																																														
26-64-0120	A-42441-0012	12	26-65-0120	A-42441-0029	12		A-42441-0046	12		A-42441-0063	12			12			12																																																																																																																																																																																																																																																																																																																																																														
26-64-0130	A-42441-0013	13	26-65-0130	A-42441-0030	13		A-42441-0047	13		A-42441-0064	13			13			13																																																																																																																																																																																																																																																																																																																																																														
26-64-0140	A-42441-0014	14	26-65-0140	A-42441-0031	14		A-42441-0048	14		A-42441-0065	14			14			14																																																																																																																																																																																																																																																																																																																																																														
26-64-0150	A-42441-0015	15	26-65-0150	A-42441-0032	15		A-42441-0049	15		A-42441-0066	15			15			15																																																																																																																																																																																																																																																																																																																																																														
26-64-0160	A-42441-0016	16	26-65-0160	A-42441-0033	16		A-42441-0050	16		A-42441-0067	16			16			16																																																																																																																																																																																																																																																																																																																																																														
26-64-0170	A-42441-0017	17	26-65-0170	A-42441-0034	17		A-42441-0051	17		A-42441-0068	17			17			17																																																																																																																																																																																																																																																																																																																																																														
26-64-0180	A-42441-0018	18	26-65-0180	A-42441-0035	18		A-42441-0052	18		A-42441-0069	18			18			18																																																																																																																																																																																																																																																																																																																																																														
										SEE SHEET I		SEE SHEET I		DIMENSIONS SHOWN (METRIC) INCH		▽ = 0 ▽ = 0		REVISE ONLY ON CAD SYSTEM																																																																																																																																																																																																																																																																																																																																																													
										SEE SHEET I		SEE SHEET I		UNLESS OTHERWISE SPECIFIED TOLERANCES ANGULAR ± 1/2°		TITLE		FLAT HEADER ASSEMBLY																																																																																																																																																																																																																																																																																																																																																													
										SEE SHEET I		SEE SHEET I		INCH METRIC		PART NO.		42441 SERIES DWG																																																																																																																																																																																																																																																																																																																																																													
										SEE SHEET I		SEE SHEET I		3 PLACE ±		MOLEX INCORPORATED		SHEET NO.		2																																																																																																																																																																																																																																																																																																																																																											
										SEE SHEET I		SEE SHEET I		2 PLACE ±		LITTLE, J.L.L.		DATE		08/18/88																																																																																																																																																																																																																																																																																																																																																											
										SEE SHEET I		SEE SHEET I		1 PLACE ±		DRAWN BY		SD A-42441																																																																																																																																																																																																																																																																																																																																																													
										SEE SHEET I		SEE SHEET I		DRAFT WHERE APPLICABLE MUST REMAIN WITHIN DIMENSIONS		BY		PATEL																																																																																																																																																																																																																																																																																																																																																													
										SEE SHEET I		SEE SHEET I		APP'D. BY		LENZ		SCALE																																																																																																																																																																																																																																																																																																																																																													
										LTR.		REVISIONS		LTR.		REVISIONS		FILE NAME		S42441X2																																																																																																																																																																																																																																																																																																																																																											
														THIS DRAWING CONTAINS INFORMATION THAT IS PROPRIETARY TO MOLEX INC. AND SHOULD NOT BE USED WITHOUT WRITTEN PERMISSION		DWG. NO.		C																																																																																																																																																																																																																																																																																																																																																													
														SIZE		C																																																																																																																																																																																																																																																																																																																																																															